

# Danny's

2022

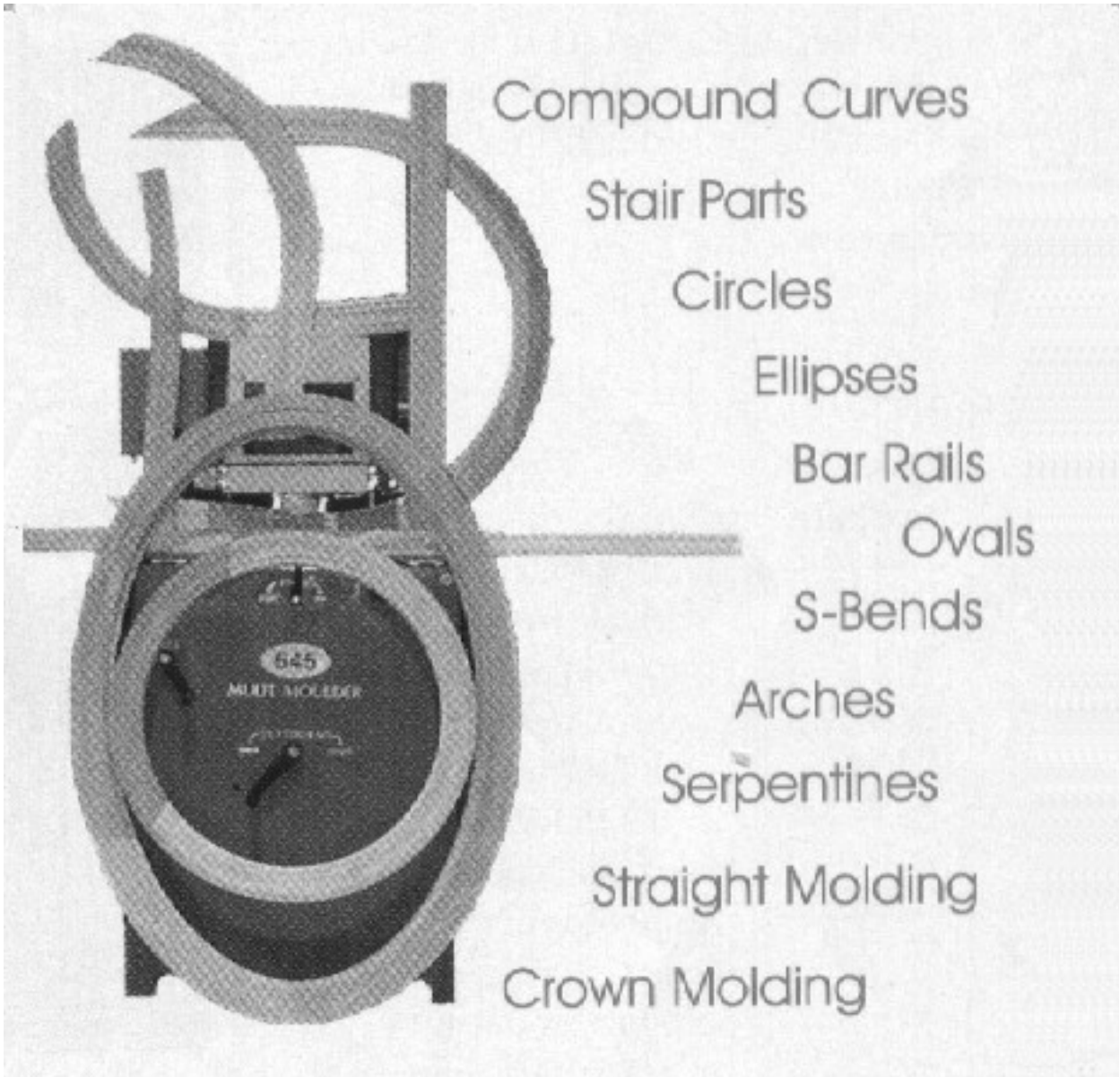
615 Trice Cemetery Rd.  
Thomaston, Ga. 30286  
www.dannysmfg.com

PAGE 2	CURVE, CIRCLE, OVAL , ARCH MOLDING
PAGE 3-24	CROWN MOLDING
PAGE 25-38	CASING MOLDING
PAGE 39-40	CASING BACK BAND MOLDING
PAGE 41	BASE MOLDING
PAGE 42-46	PANEL MOLDING
PAGE 47-54	MIS MOLDING
PAGE 55-57	CHAIR RAILING MOLDING
PAGE 58-59	TONGUE & GROOVE MOLDING
PAGE 60	WINDOW STOOL
PAGE 61	MULL MOLDING
PAGE 62	STAIRLANDING & NOSING
PAGE 63-65	HAND RAIL.
PAGE 66	BAR RAIL.
PAGE 67	WINDOW SHUTTER PARTS
PAGE 68-78	STILE & RAIL.
PAGE 79-93	SPECIAL MOLDING. MIS.

Danny's MFG

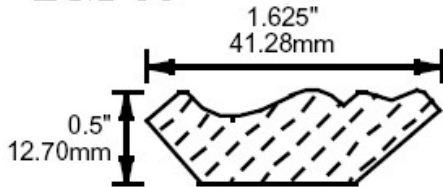
706-647-9287 \* 706-646-3487 fax \* 1-888-999-3411

Curve, Circle, Oval , Arch Molding

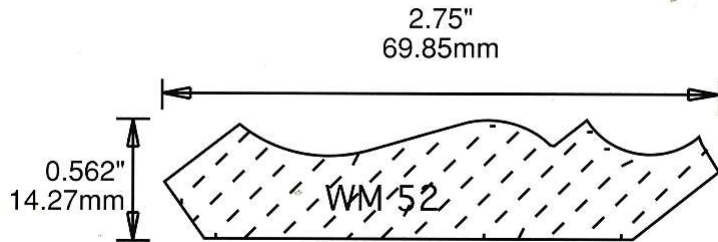


Crown Molding  
www.dannysmfg.com

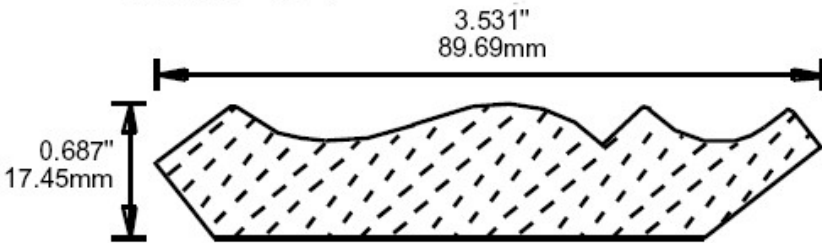
DM-68



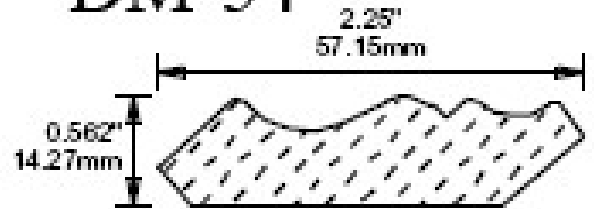
DM-52



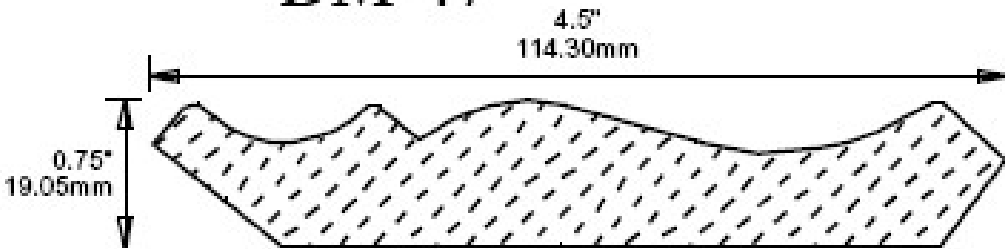
DM-49



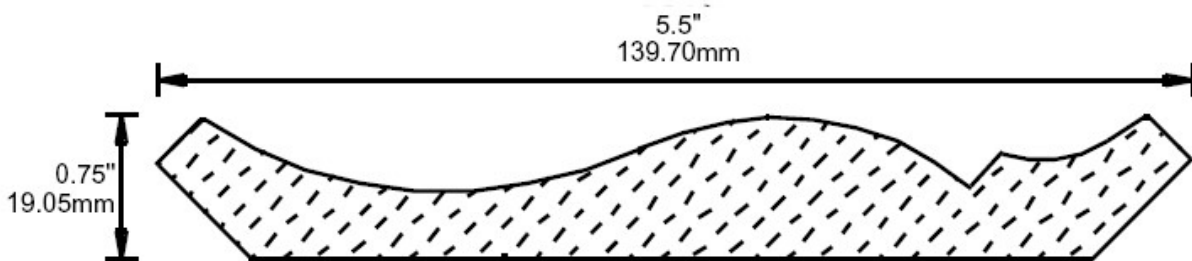
DM-54



DM-47

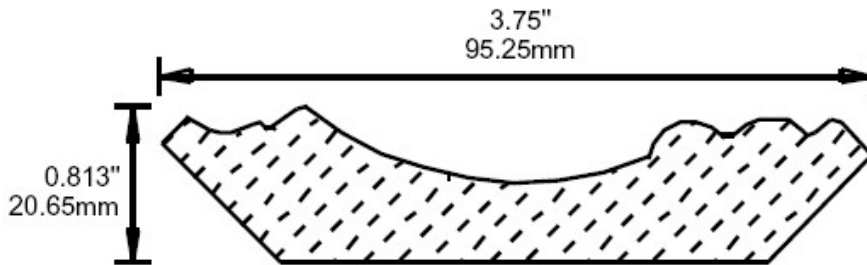


DM-17

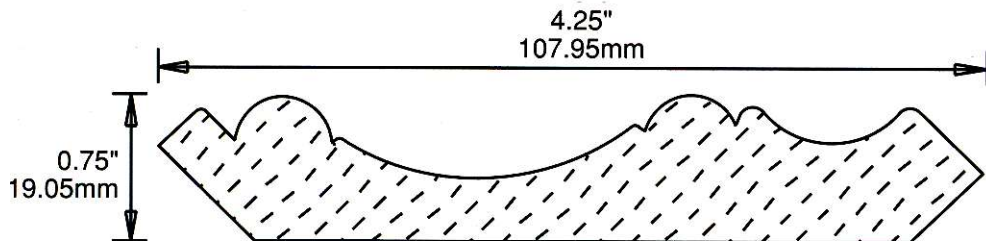


Crown Molding  
www.dannysmfg.com

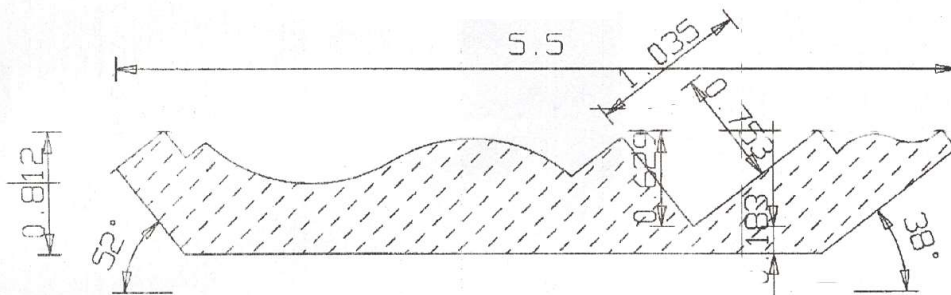
DM-3754



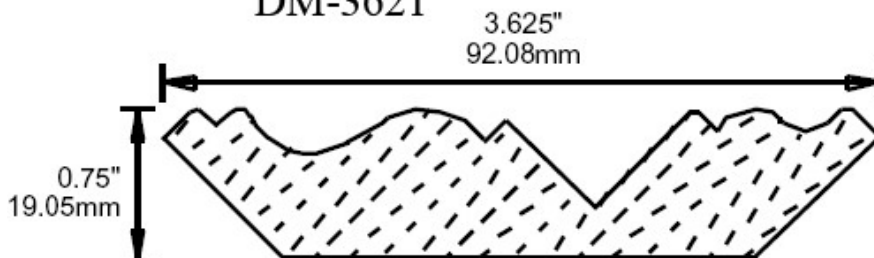
DM-42596



DM-3184

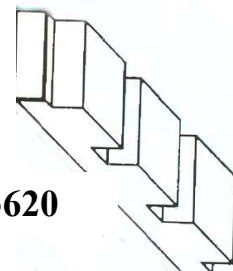


DM-3621



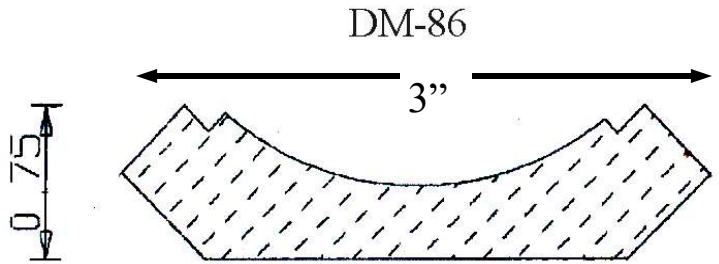
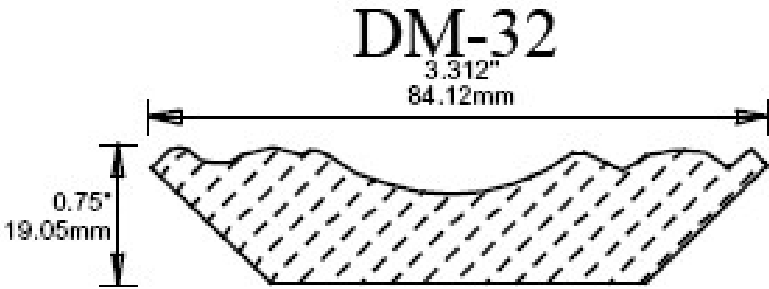
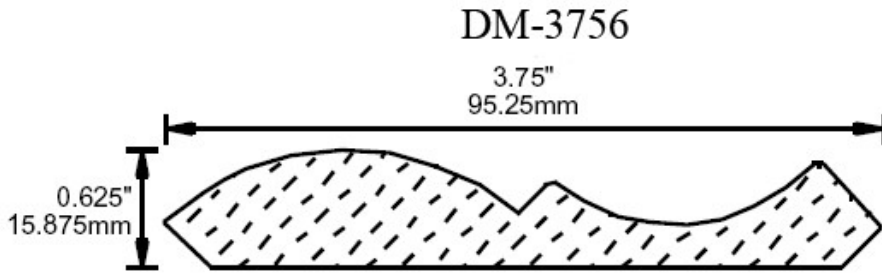
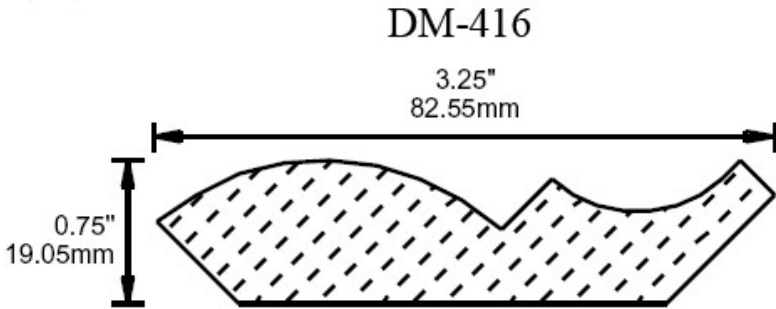
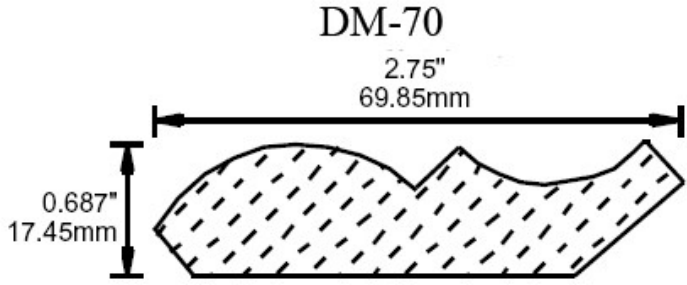
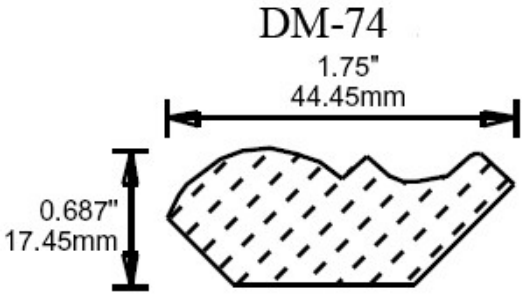
1/2" Rope Molding

DM-3620



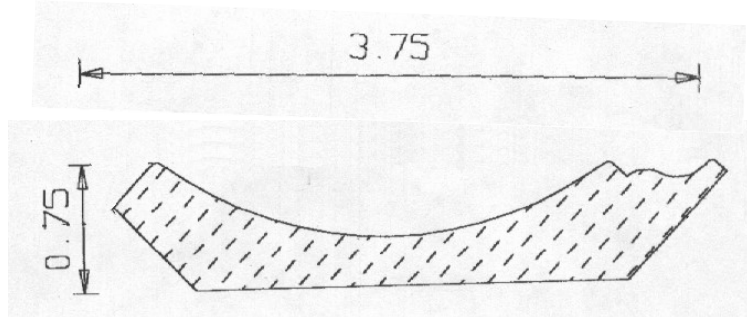


Crown Molding  
www.dannysmfg.com

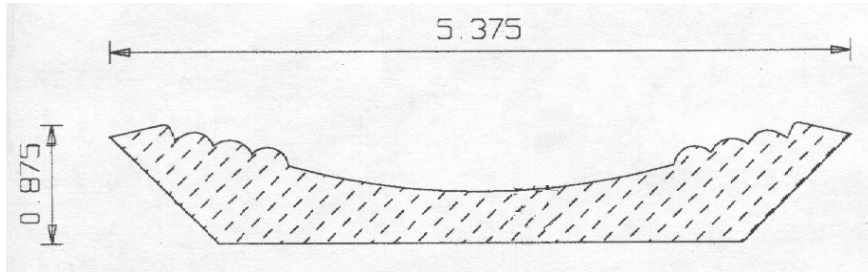


**Crown Molding**  
www.dannysmfg.com

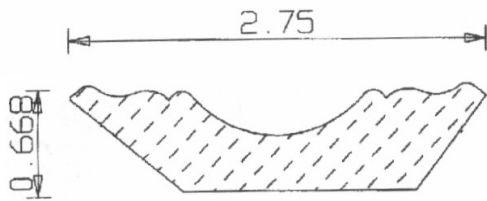
**DM-5254**



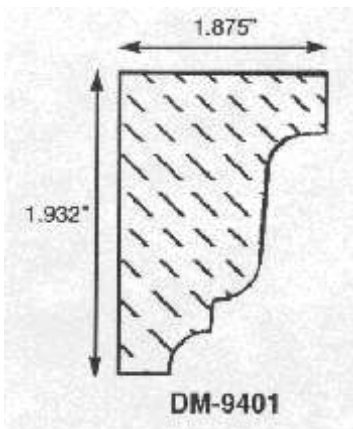
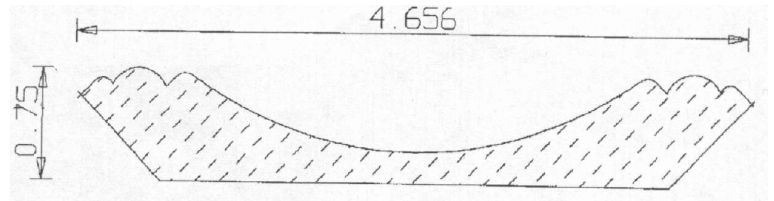
**DM-5900**



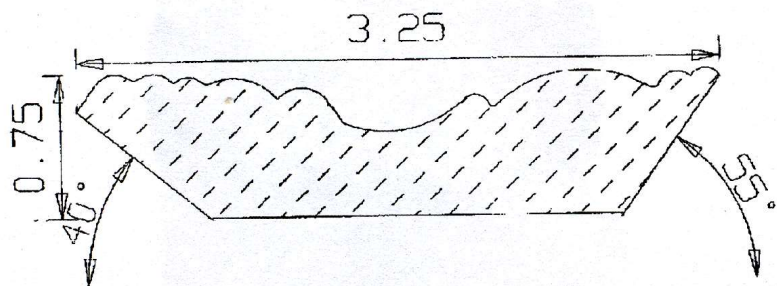
**DM-603**



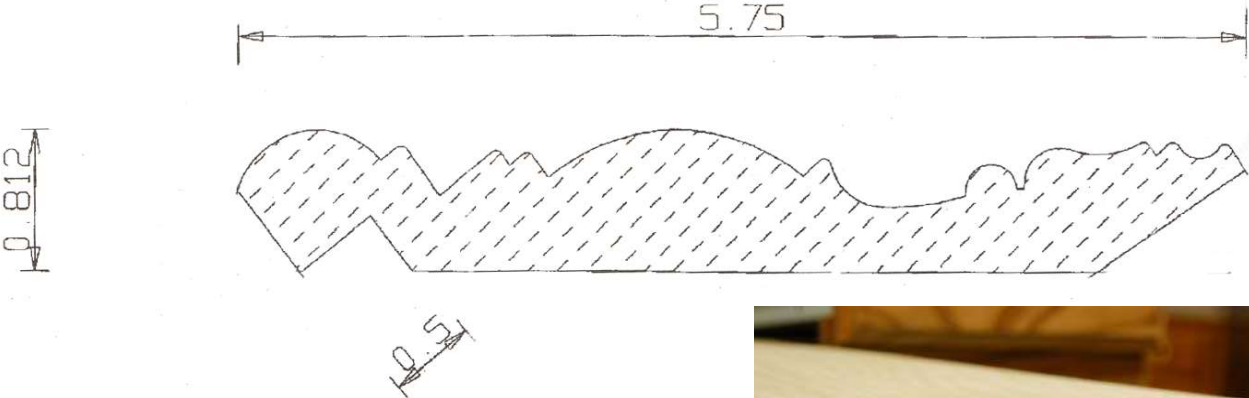
**DM-8601**



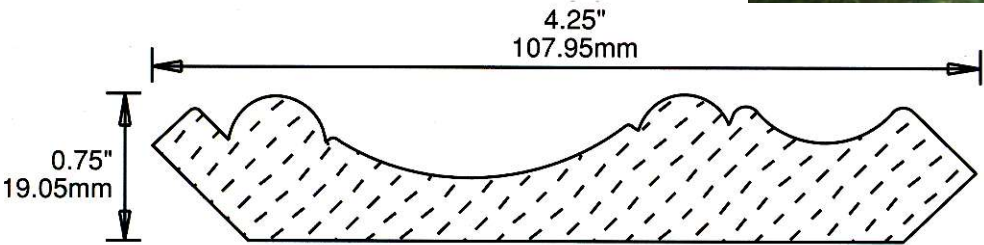
**DM-32591**



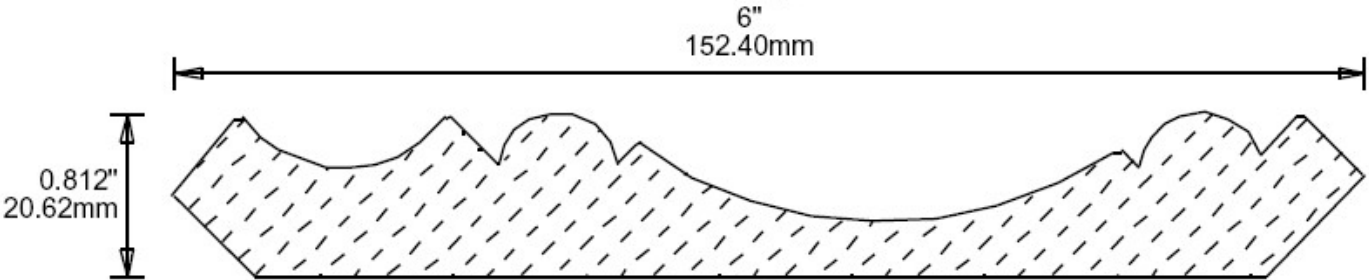
**DM-1405 Crown for Mantle**



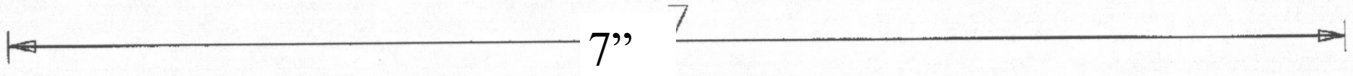
**DM-42596**



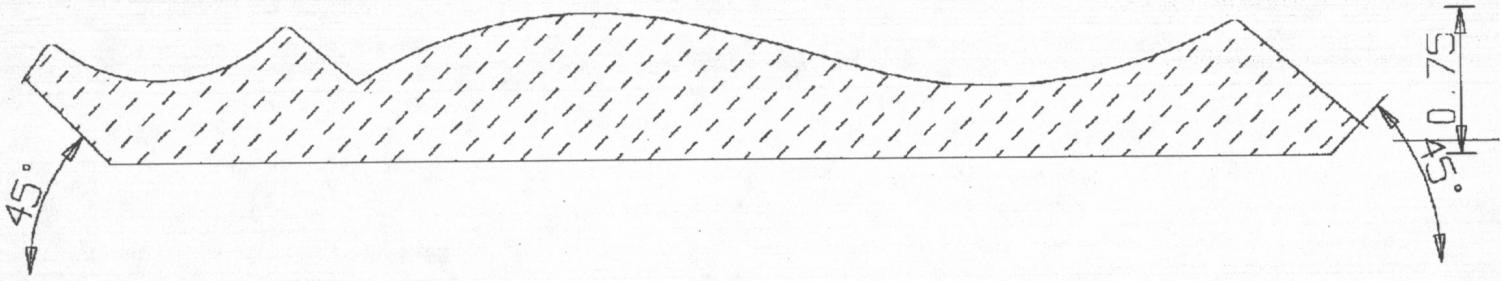
**DM-6005**



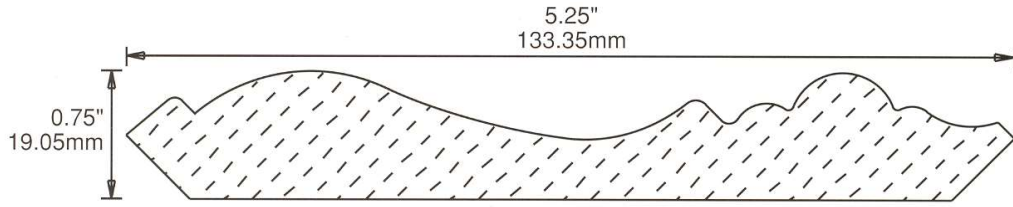
Crown Molding  
www.dannysmfg.com



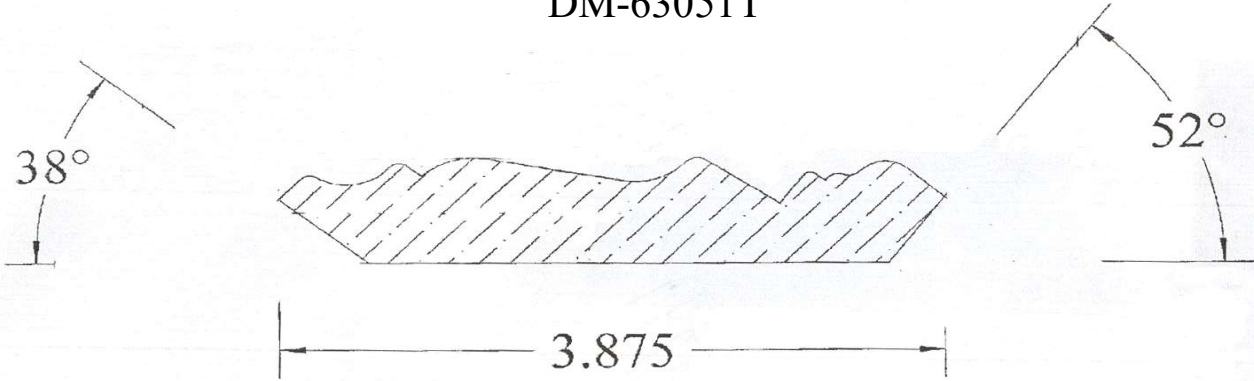
DM-16



DM-52501



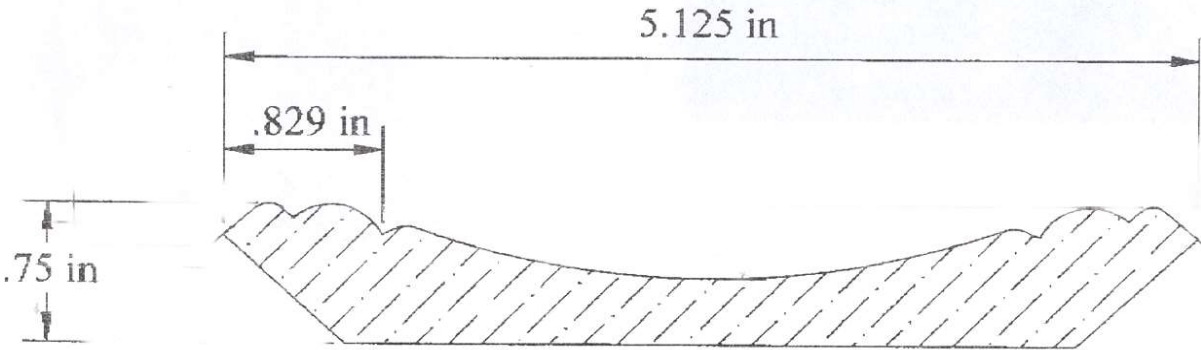
DM-63051T



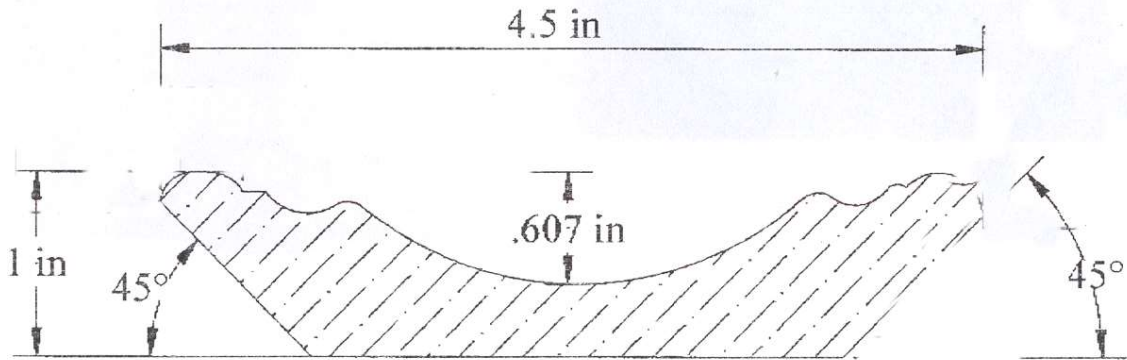


Crown Molding  
www.dannysmfg.com

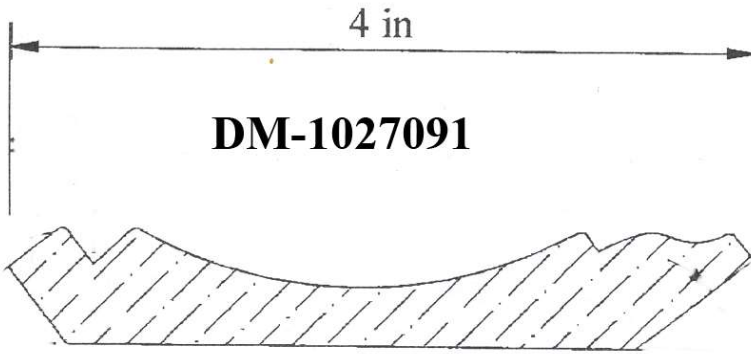
**DM-811081**



**DM-211091**

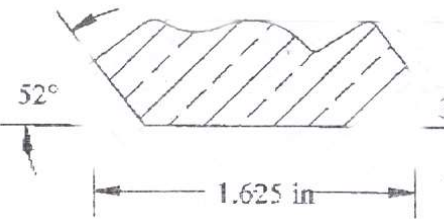


**DM-1027091**

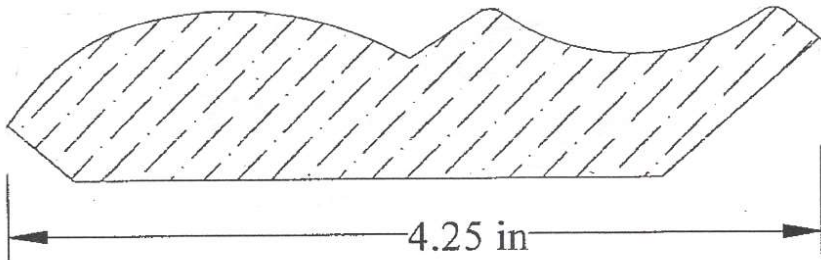


Crown Molding  
www.dannysmfg.com

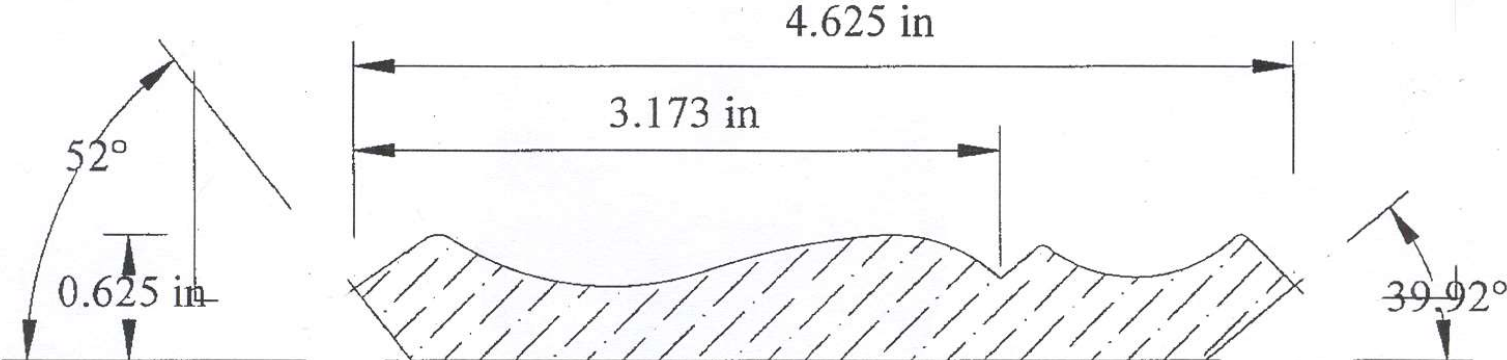
**DM-401091**



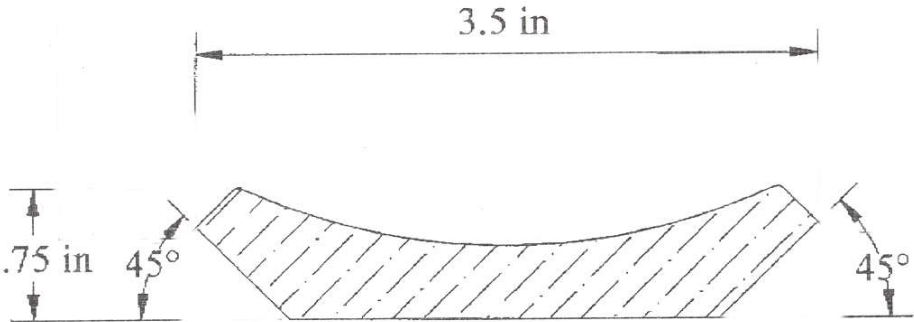
**DM126071**



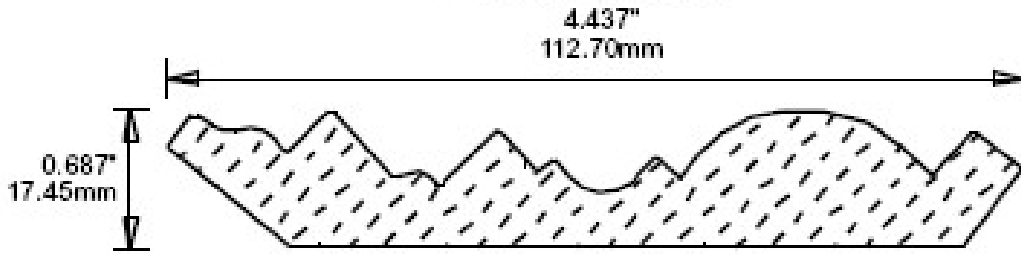
**DM-41881**



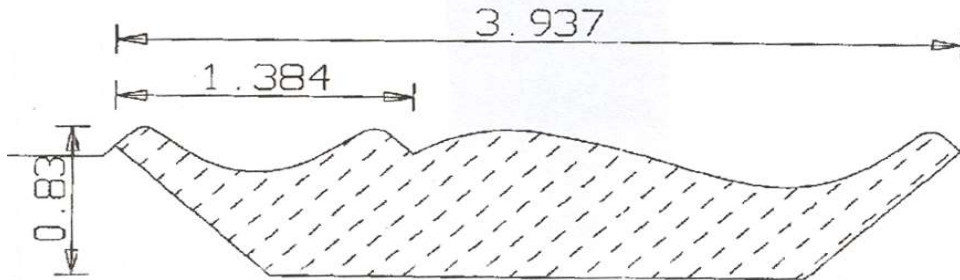
**DM-721081**



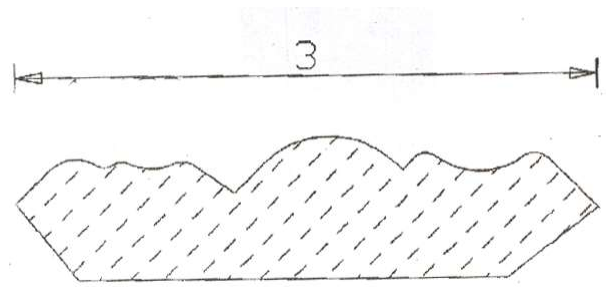
### DM-4431



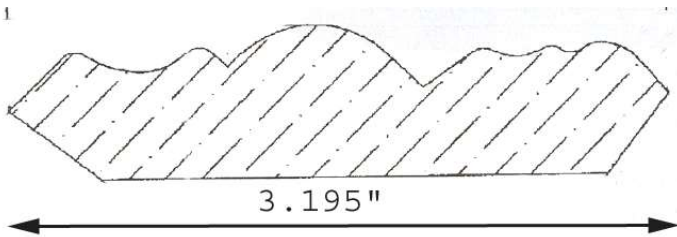
### DM-61542



### DM-12224

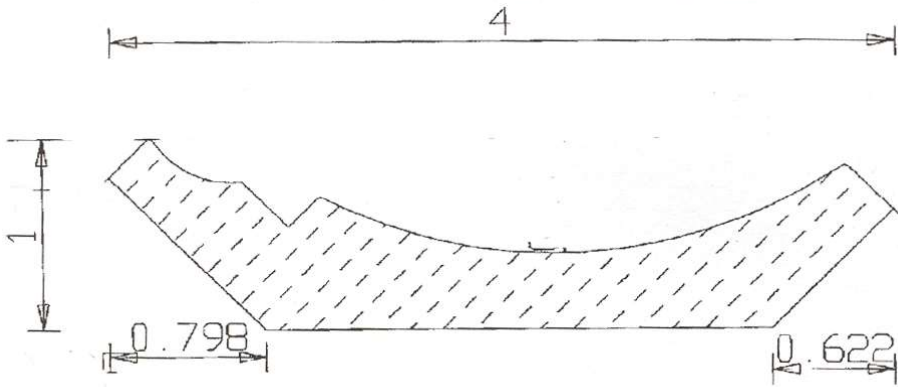


### DM-12151T Meyer Laminate

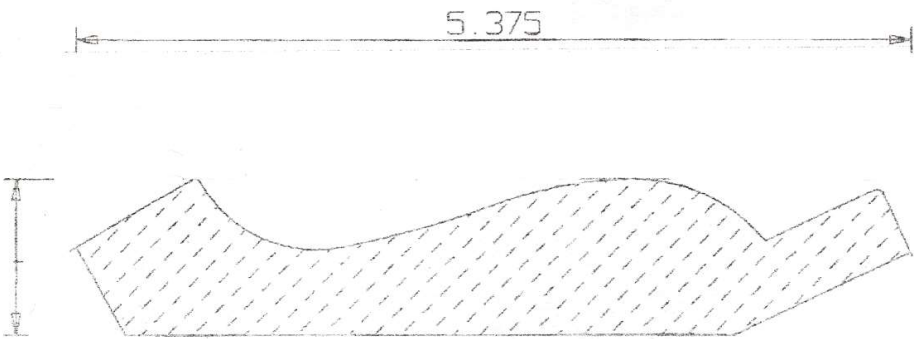


Crown Molding  
www.dannysmfg.com

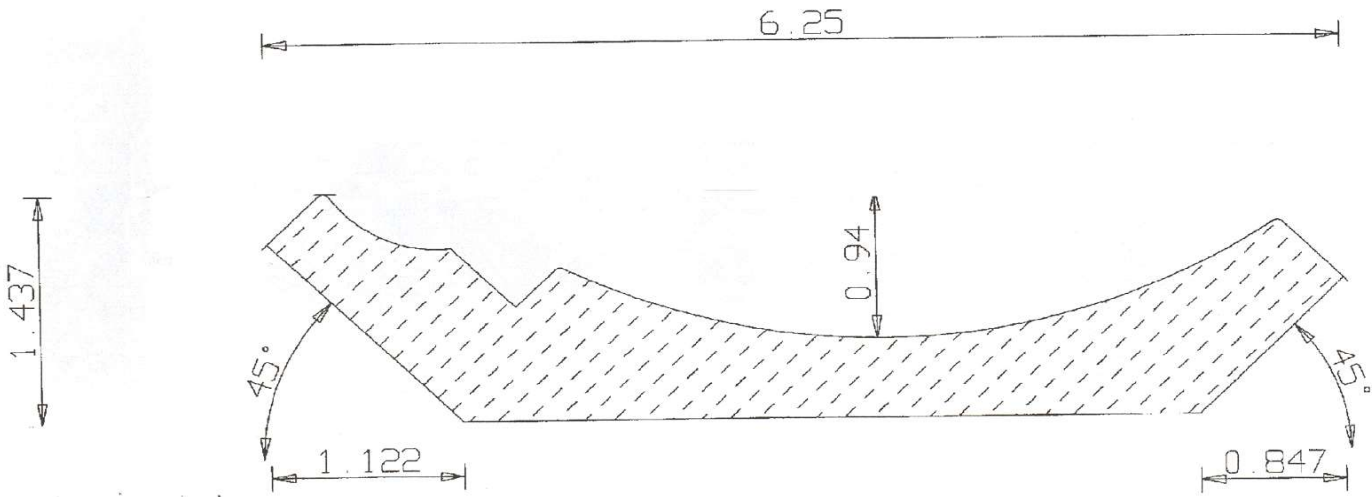
DM-121934



DM-3241



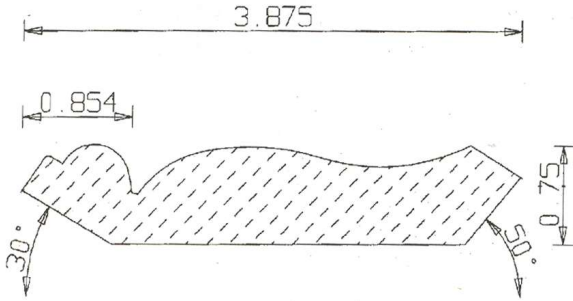
DM-121933



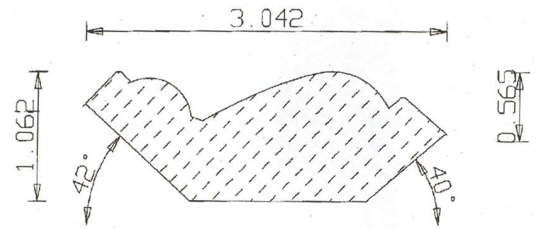


**Crown Molding**  
 www.dannysmfg.com

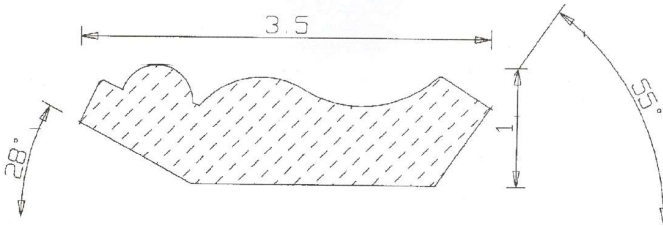
**DM-81831**



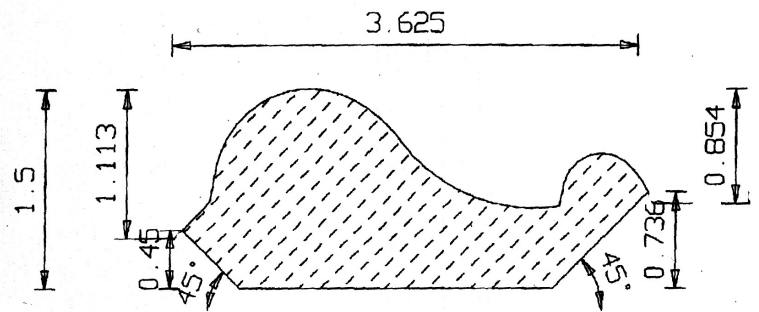
**DM-81832**



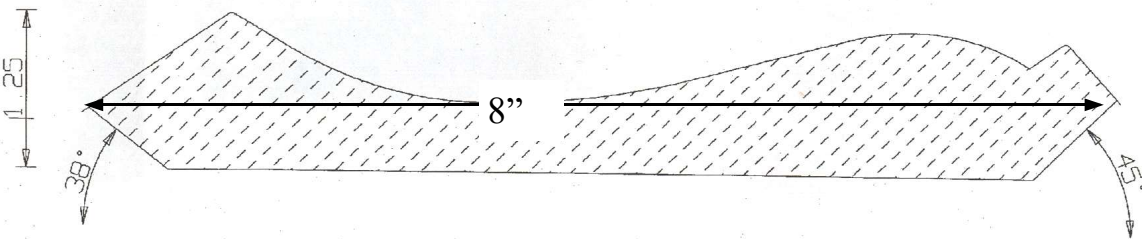
**DM-1253**



**DM-3820**

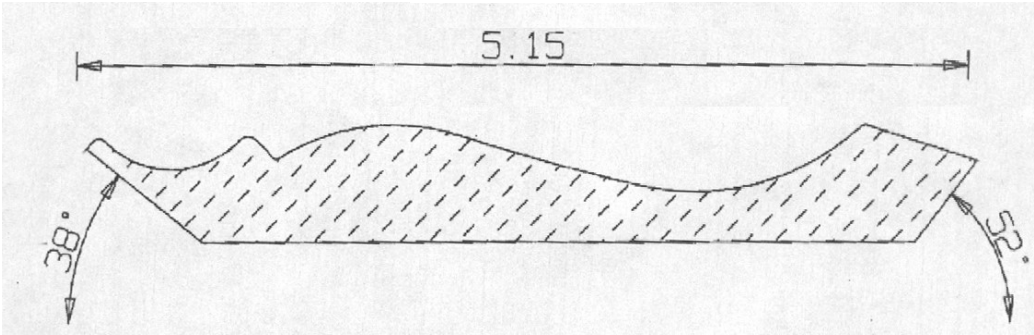


**DM-993**

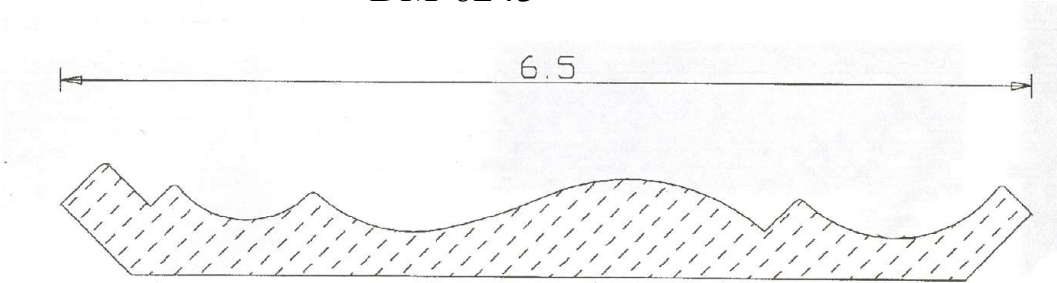


Crown Molding  
www.dannysmfg.com

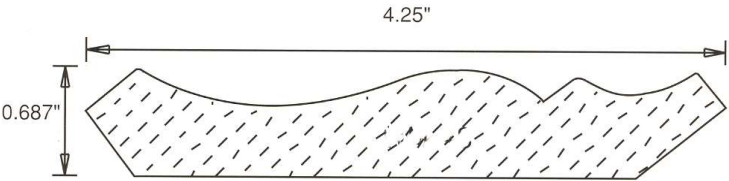
DM-5201



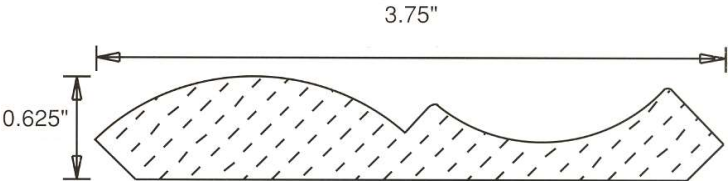
DM-6243



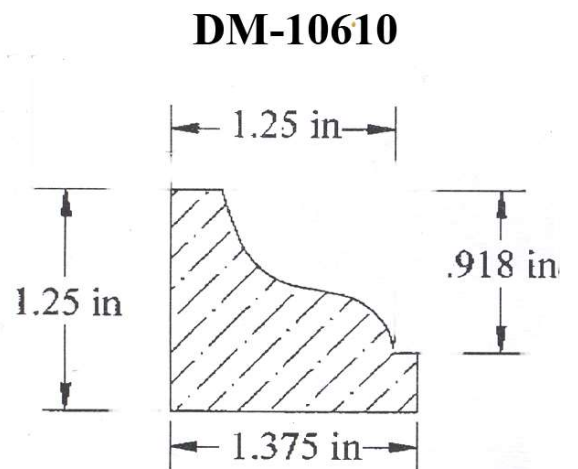
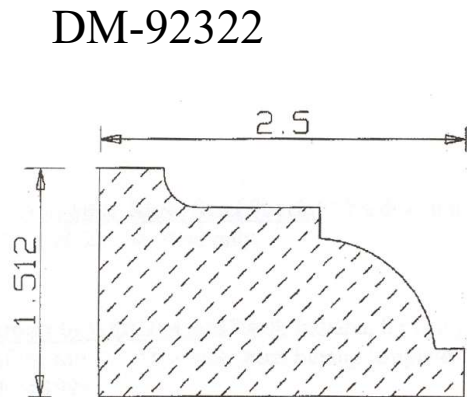
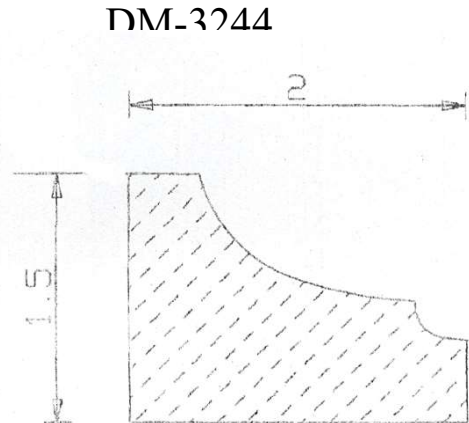
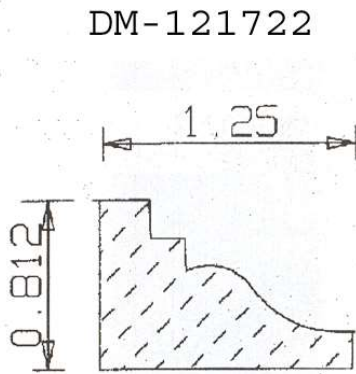
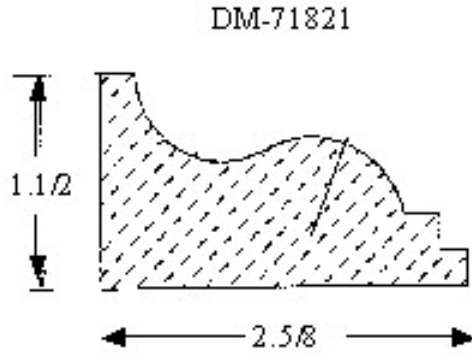
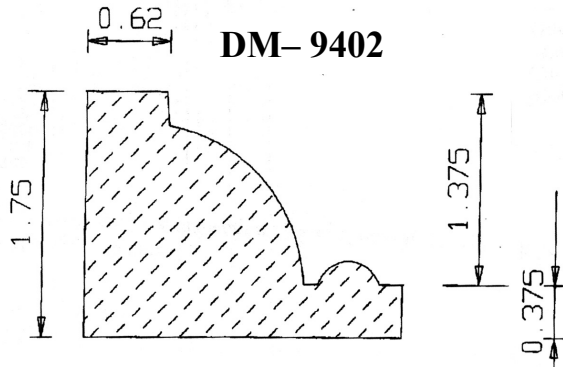
DM-42504



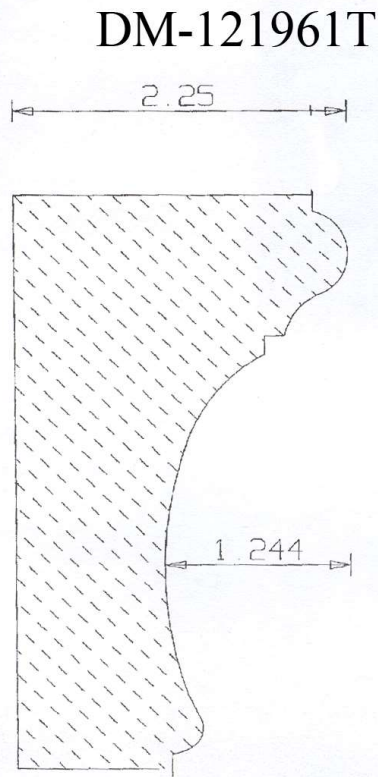
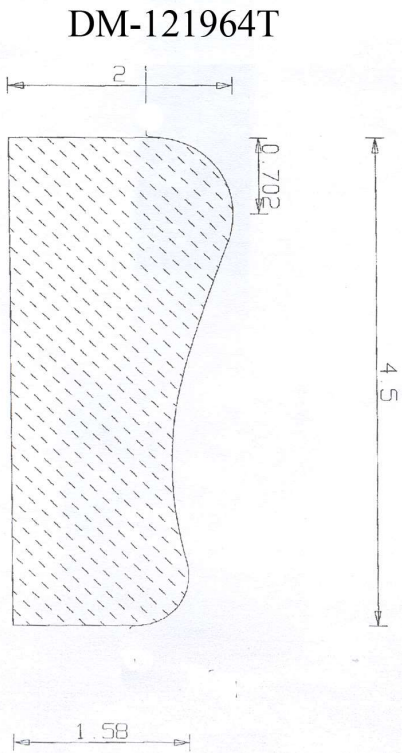
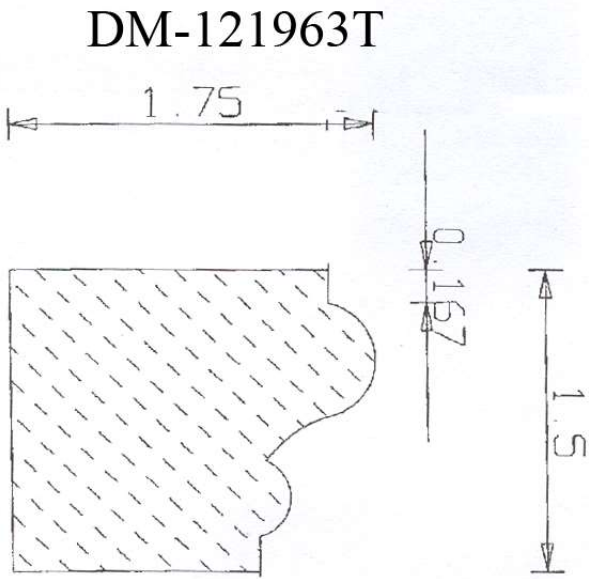
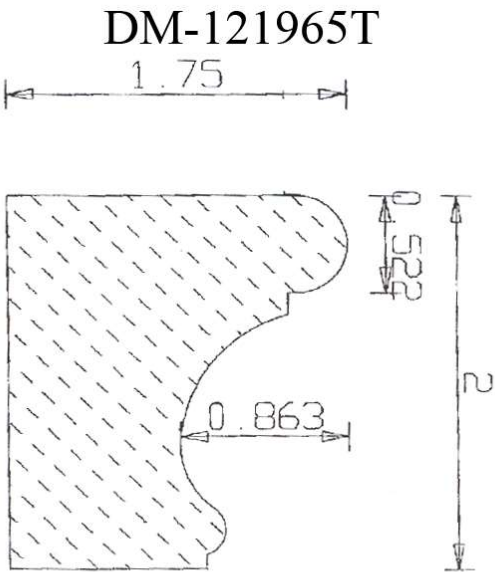
DM-3756



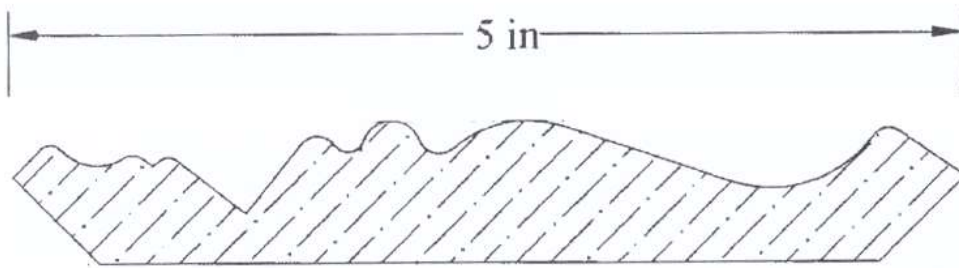
**Crown Molding**  
www.dannysmfg.com



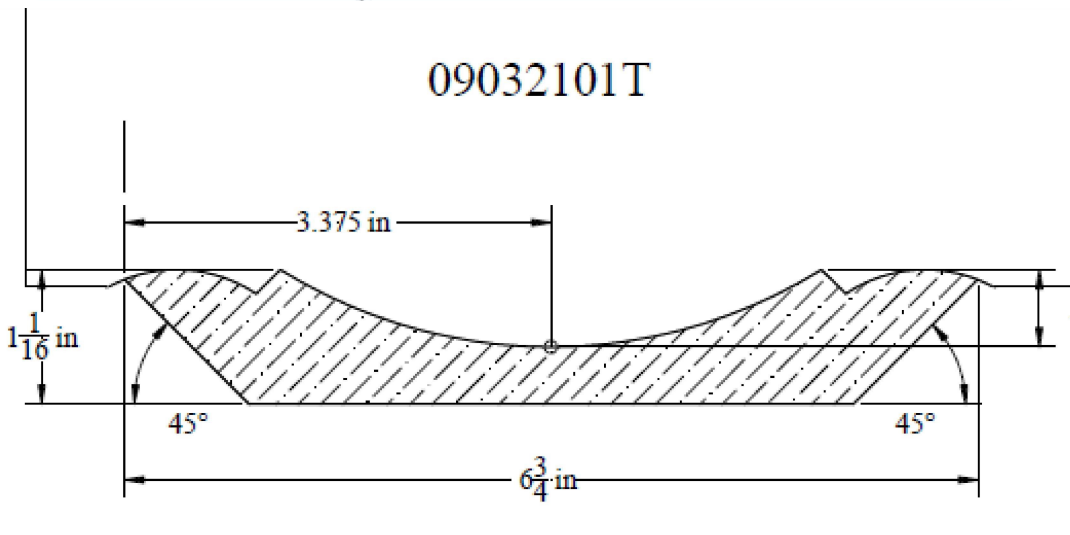
Crown Molding  
www.dannysmfg.com



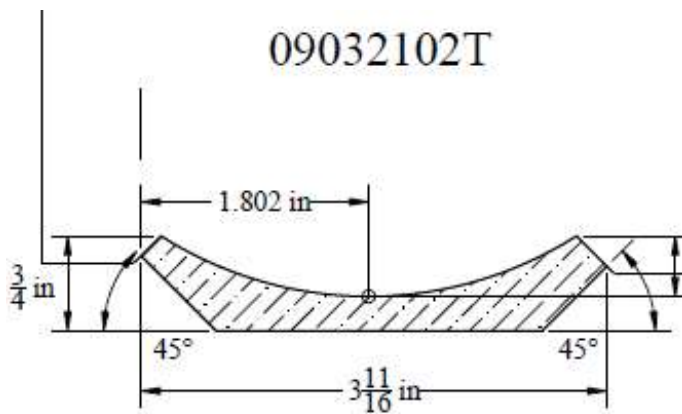
## DM-2281101



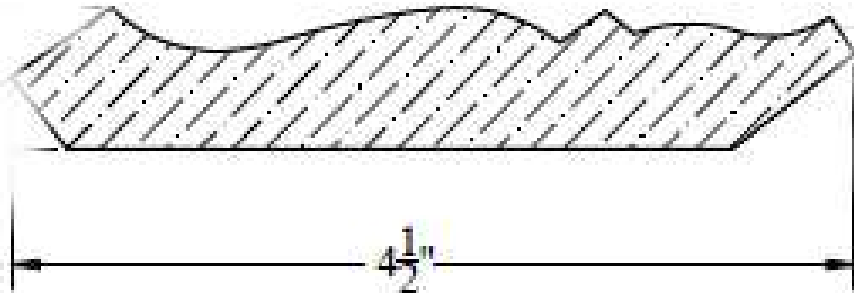
## 09032101T



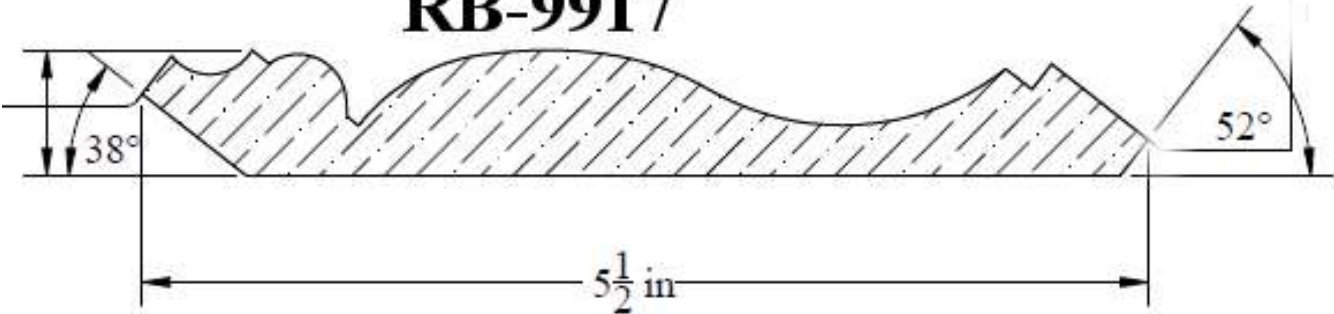
## 09032102T



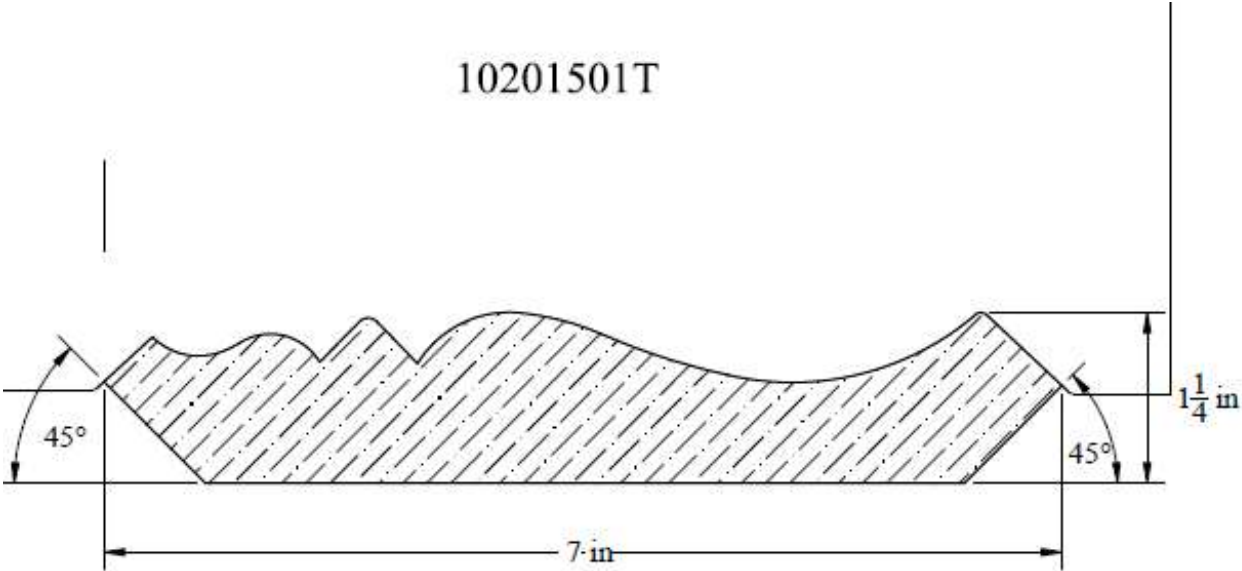
# DM-04061701



# DM-02211701 RB-9917

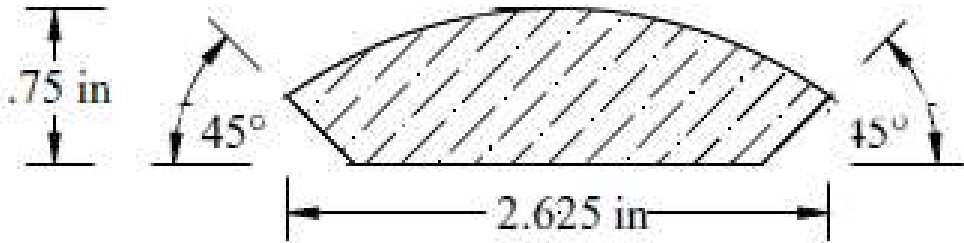


# 10201501T

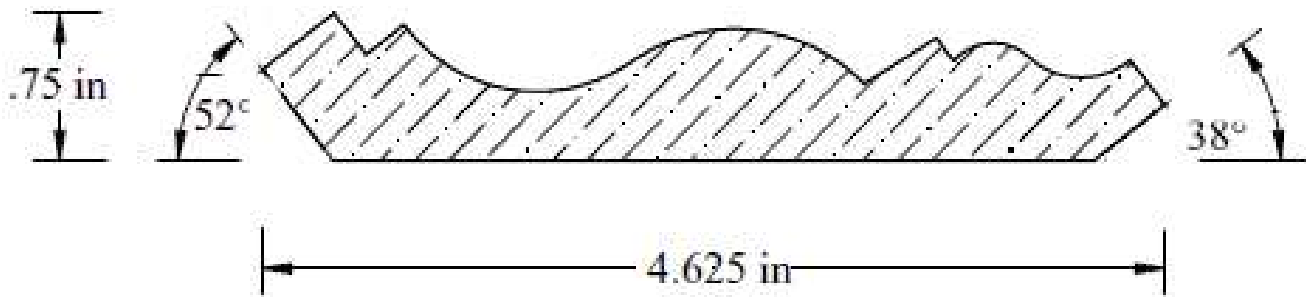




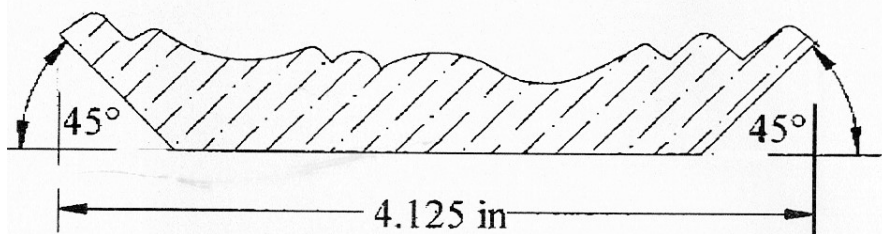
# DM-3201303



# DM-3201301 or RB-9863



# DM-3051301

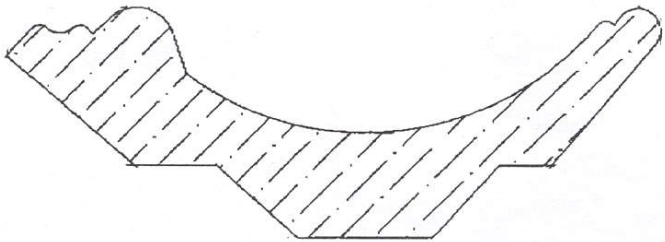


Crown Molding  
www.dannysmfg.com

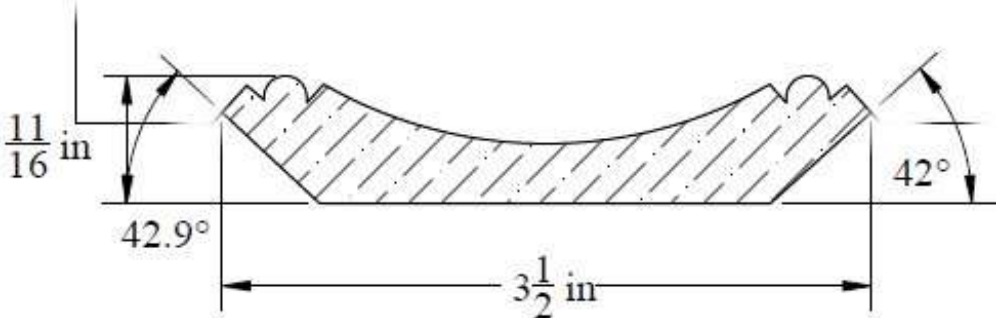
3.6 in

DM-1027101

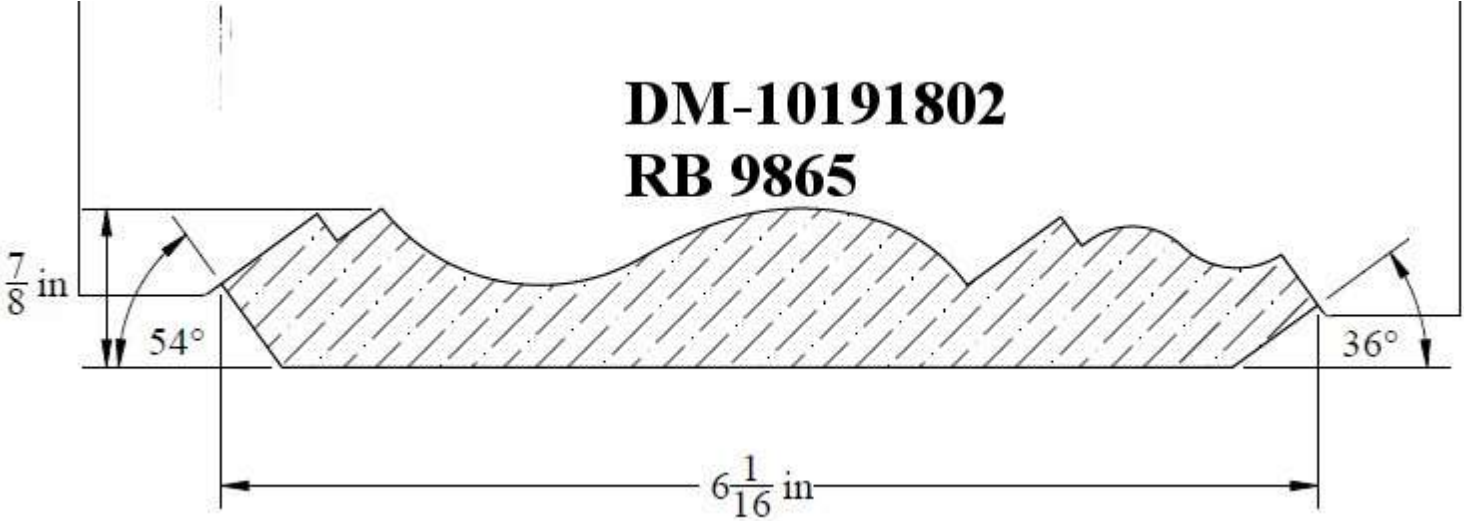
1.281 in



**DM-10021802, RB-9877**



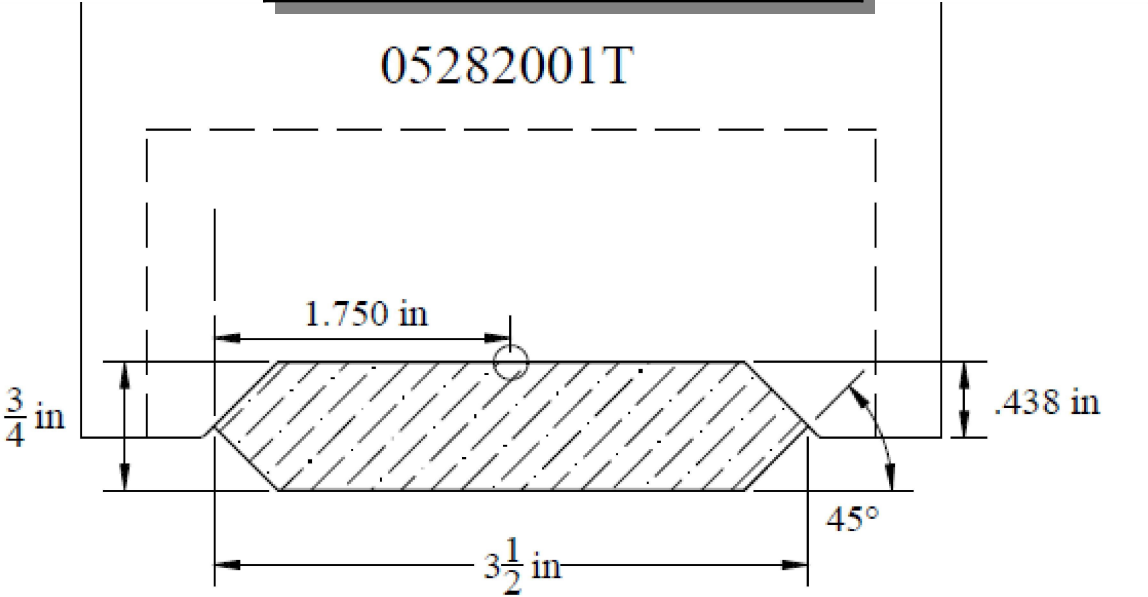
**DM-10191802  
RB 9865**



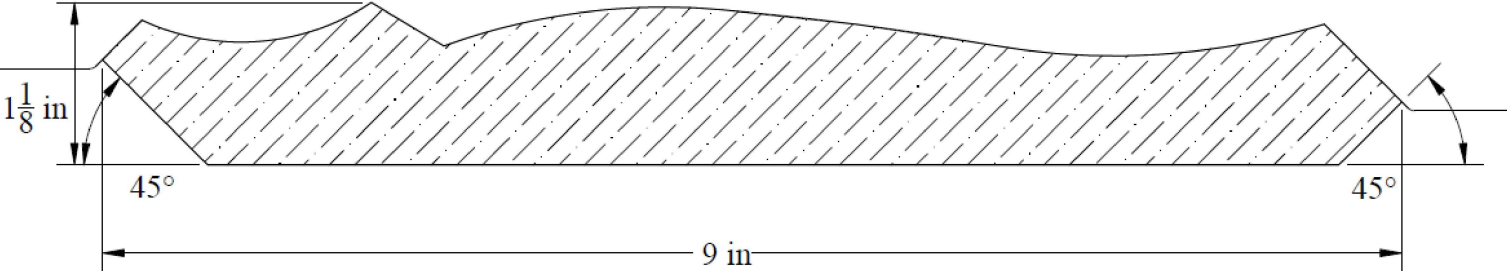


Crown Molding  
www.dannysmfg.com

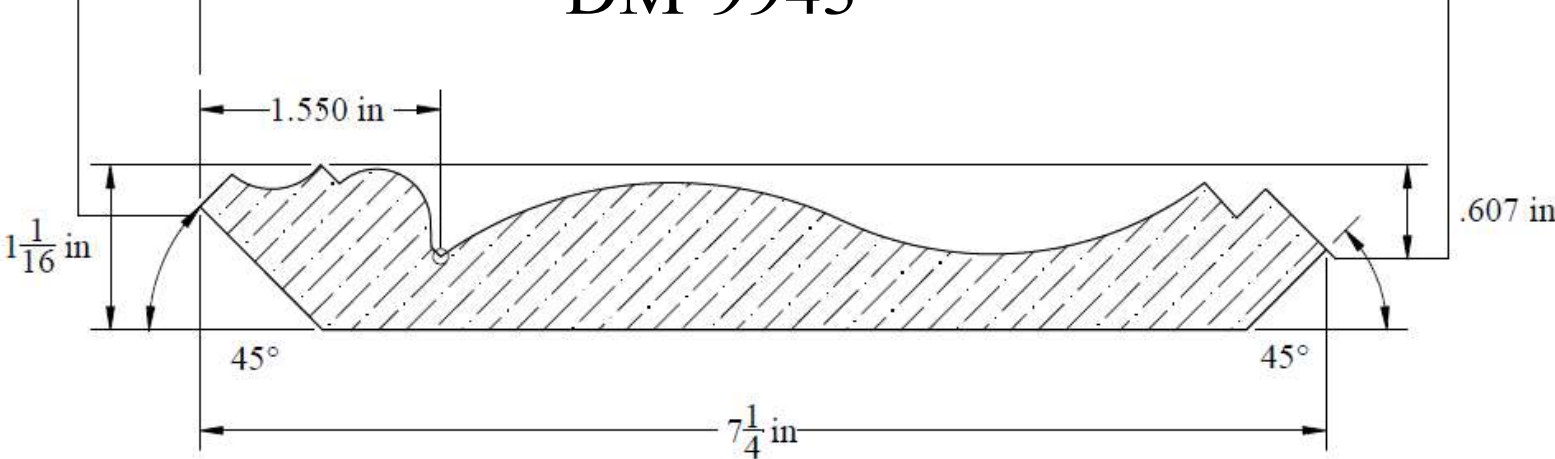
05282001T



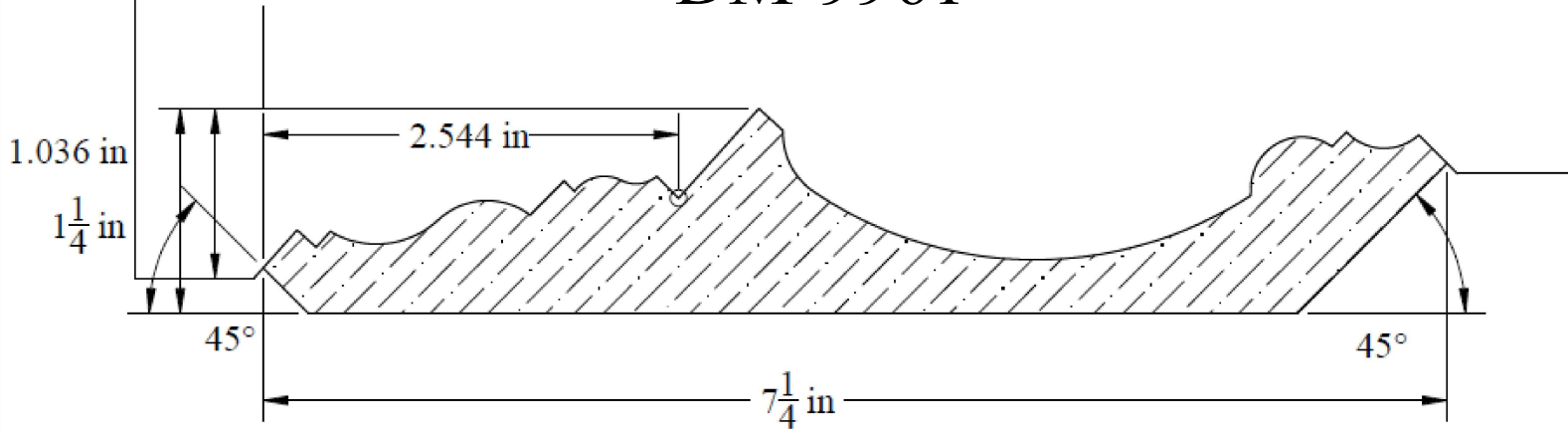
DM-02182001



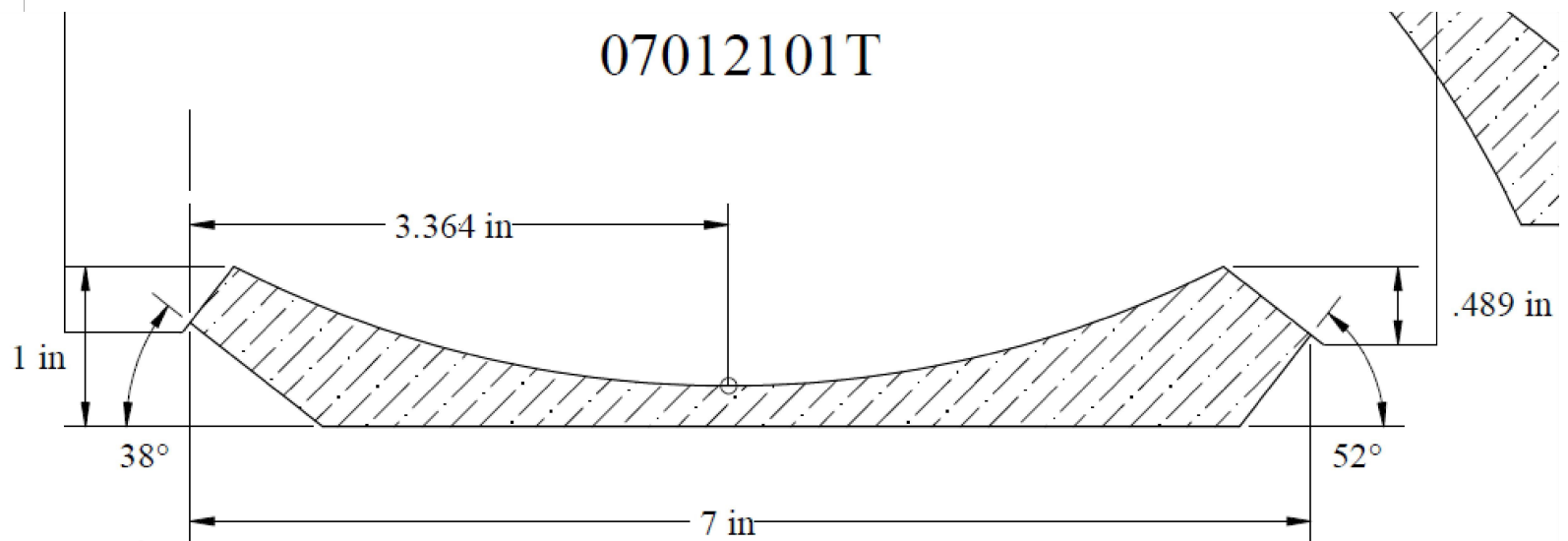
DM-9943



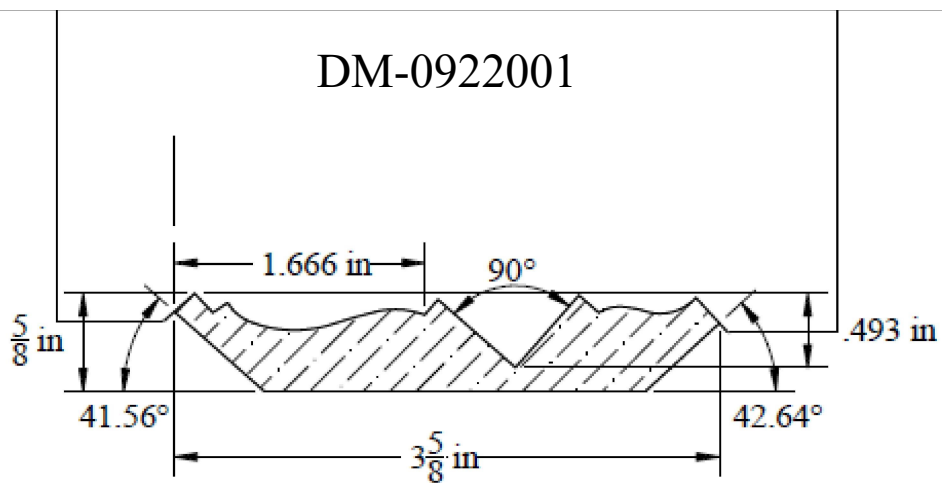
# DM-9961



# 07012101T

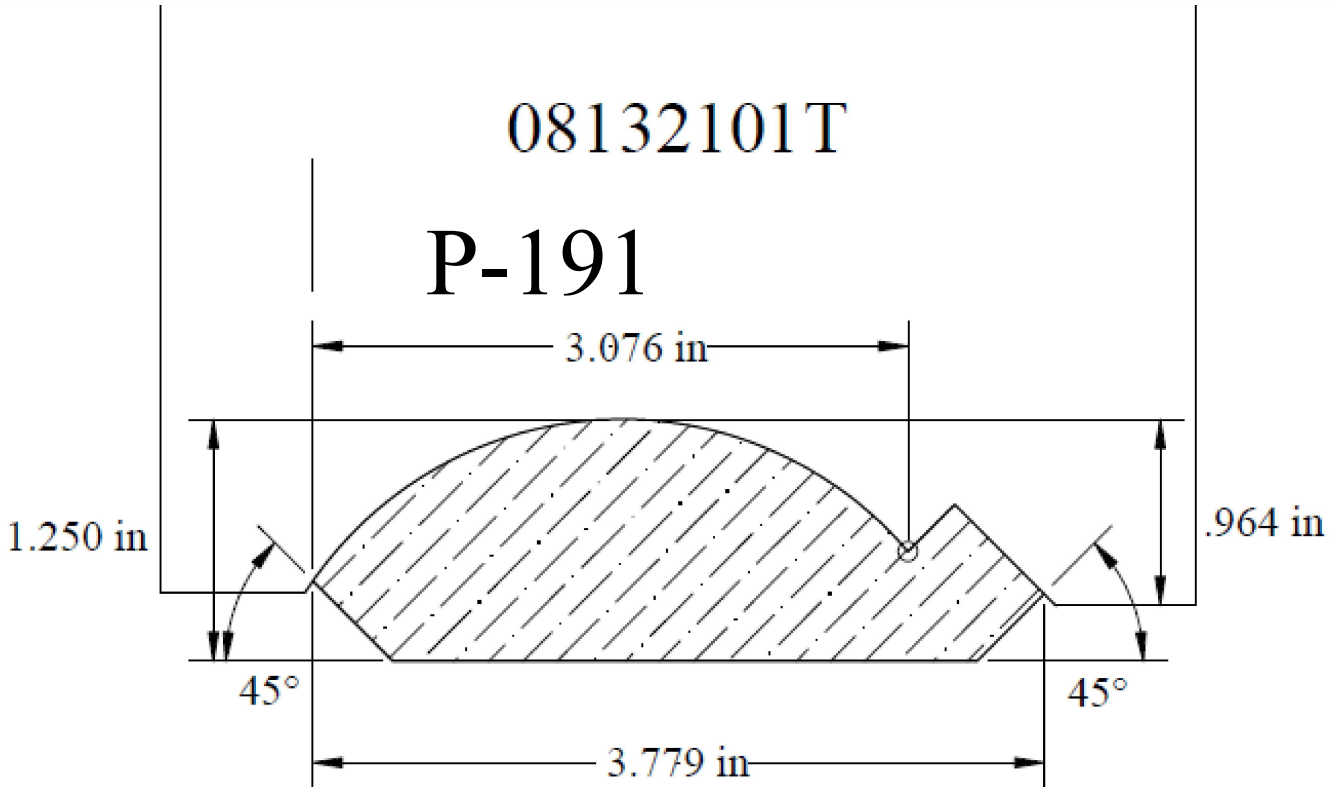


# DM-0922001

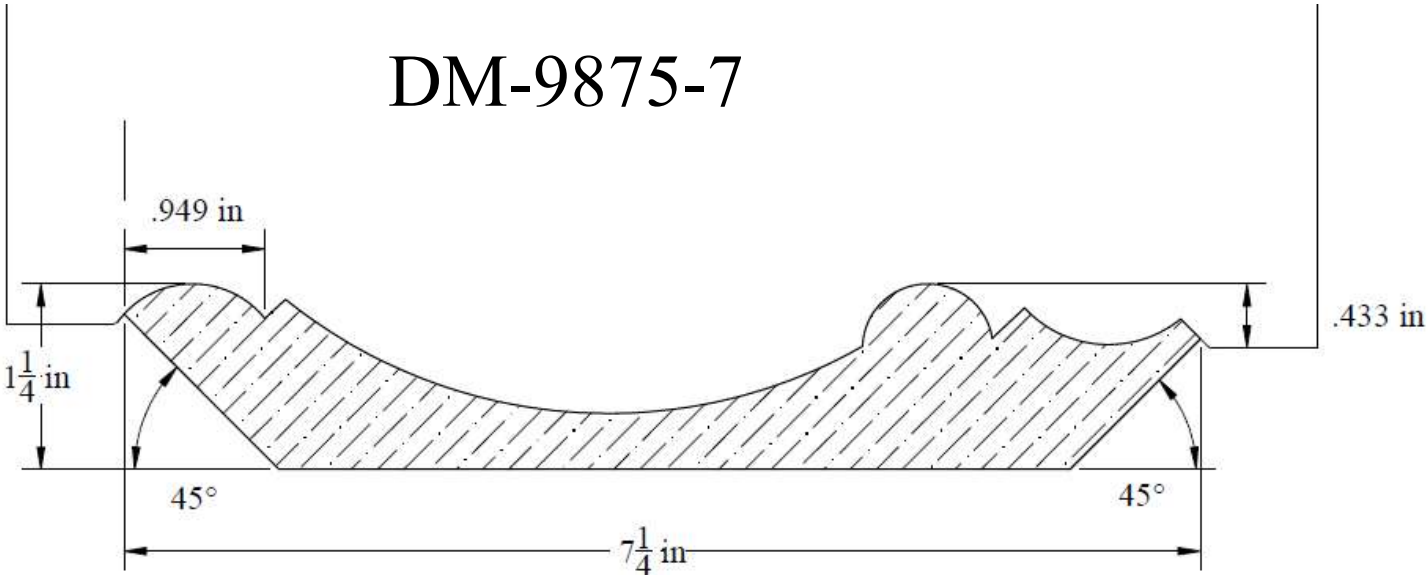


08132101T

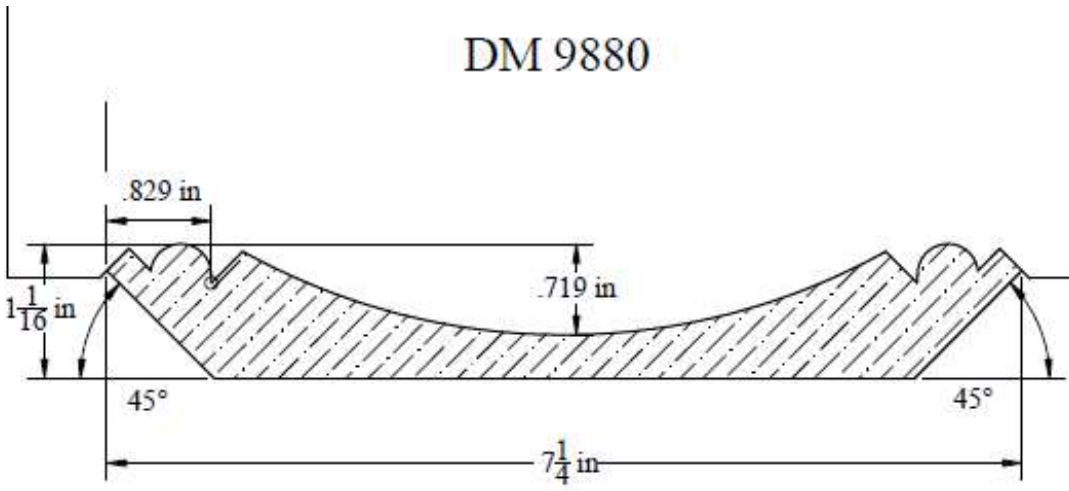
P-191



DM-9875-7

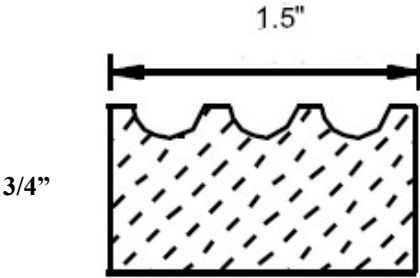


Crown Molding  
www.dannysmfg.com

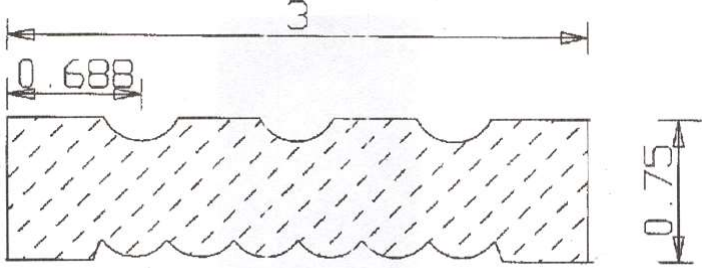


**Casing Molding**  
www.dannysmfg.com

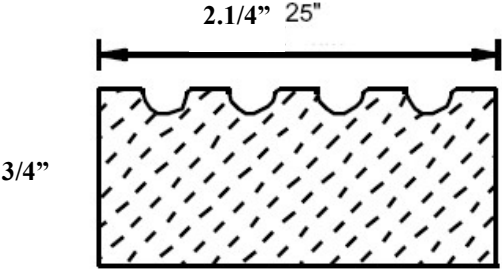
**DM-8**



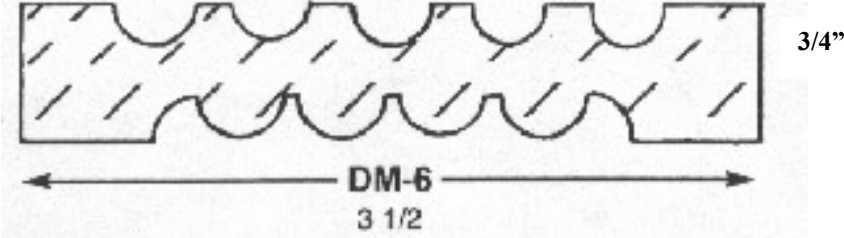
**DM-92942**



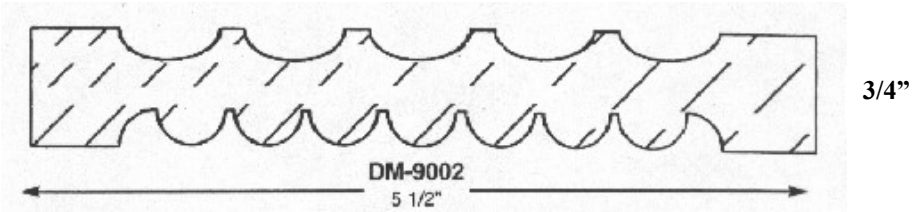
**DM-9**



**DM-6**

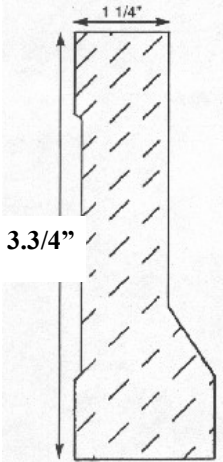


**DM-9002**

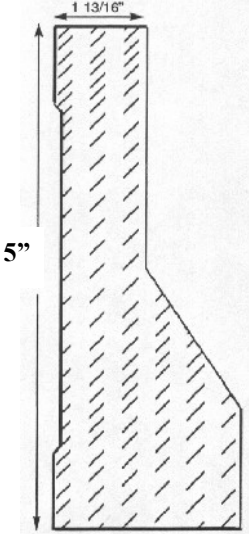


Casing Molding  
www.dannysmfg.com

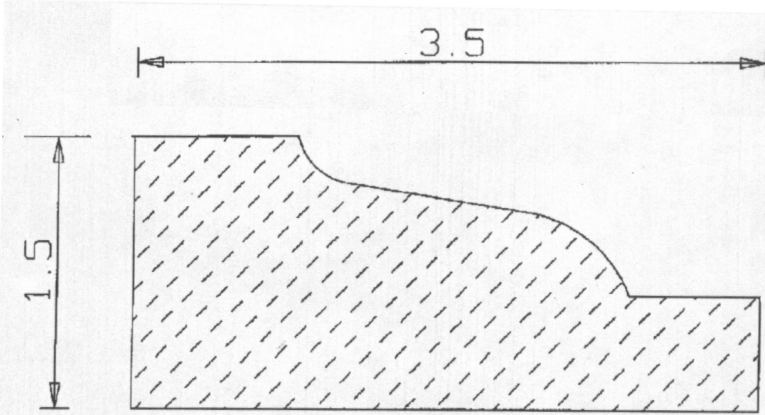
DM-27



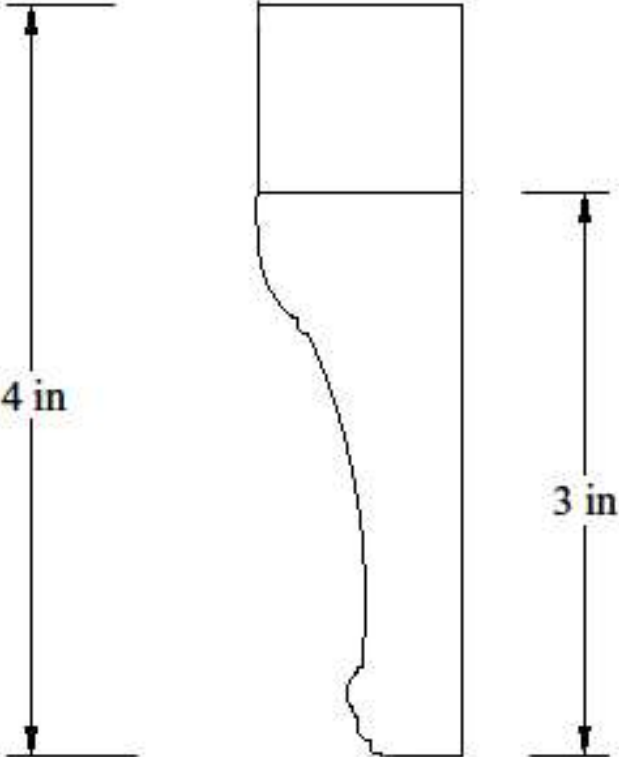
DM-28



DM- 29 Rake Mould

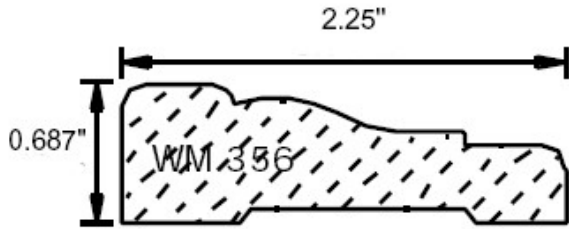


DM-1251101

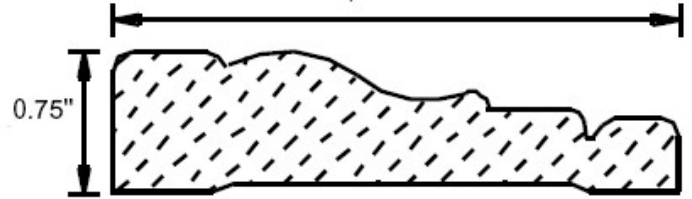


Casing Molding  
www.dannysmfg.com

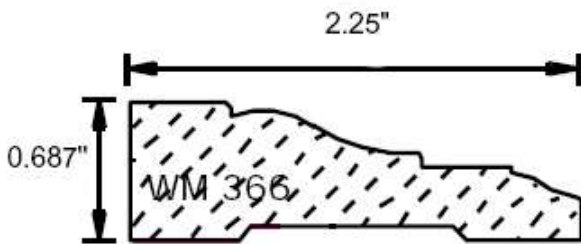
DM-356



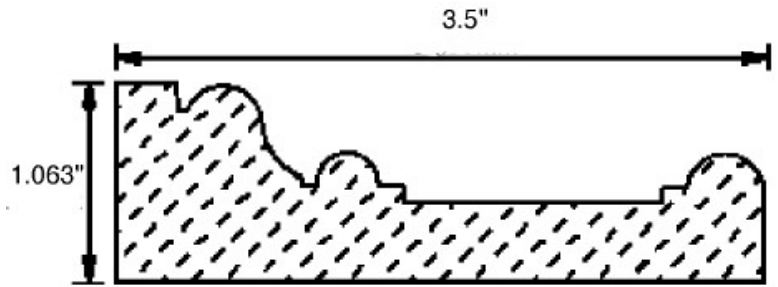
DM-371 3"



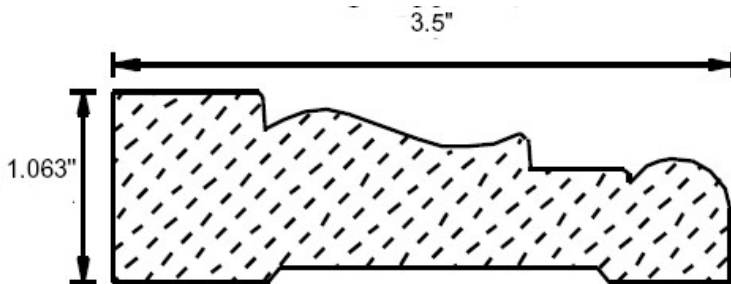
DM-366



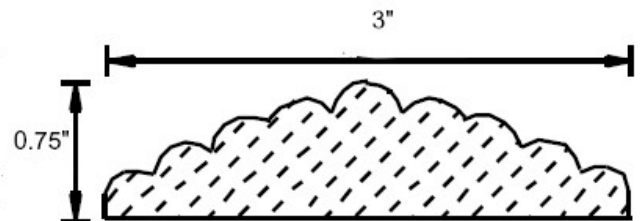
DM-3



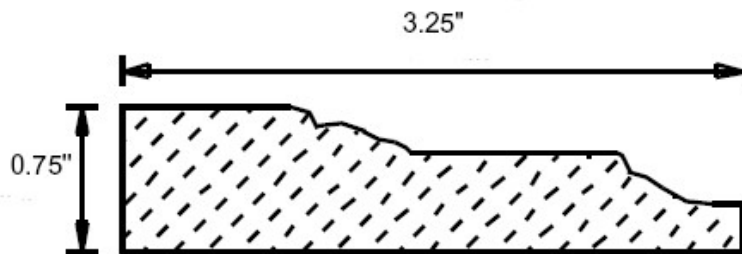
DM-384



DM-373

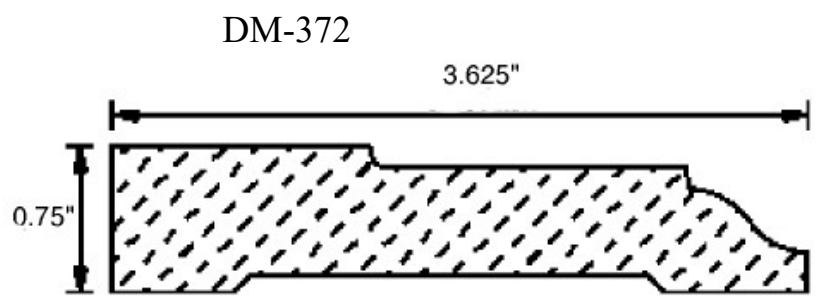
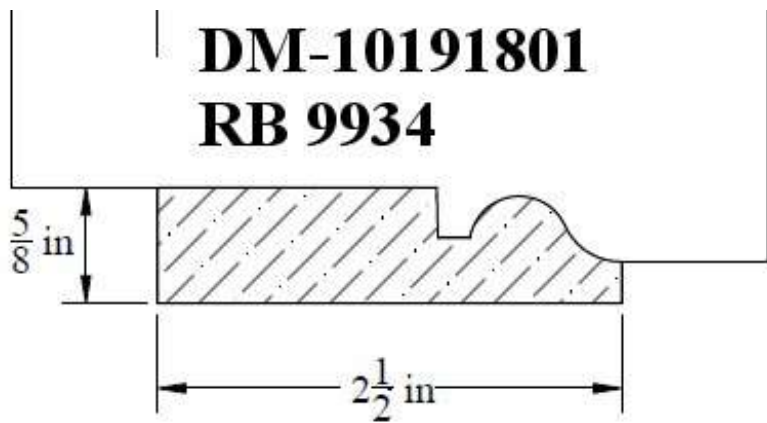
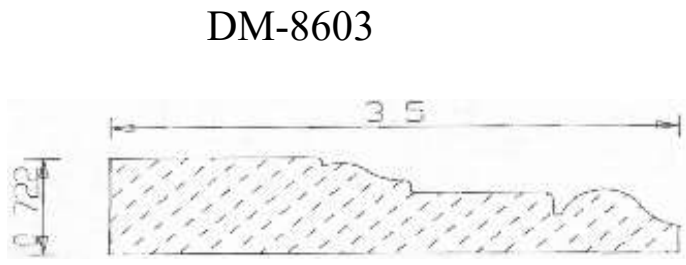
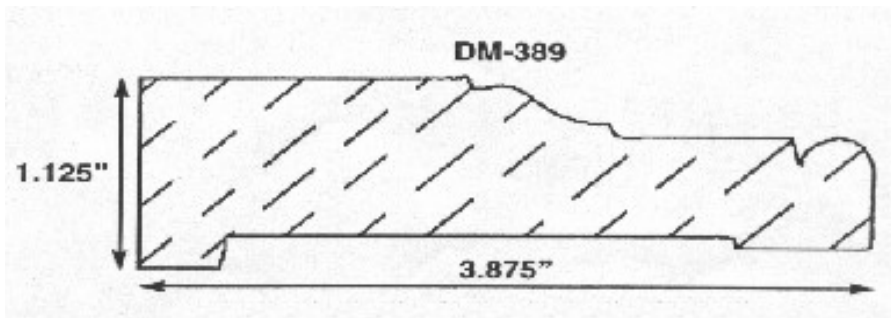
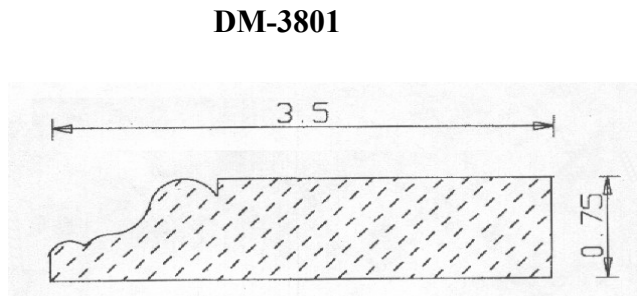
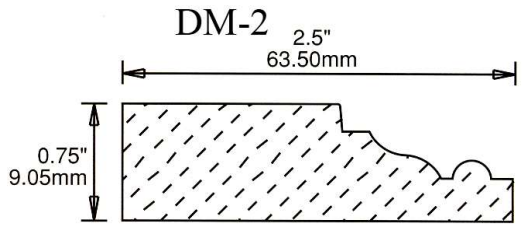


DM-375





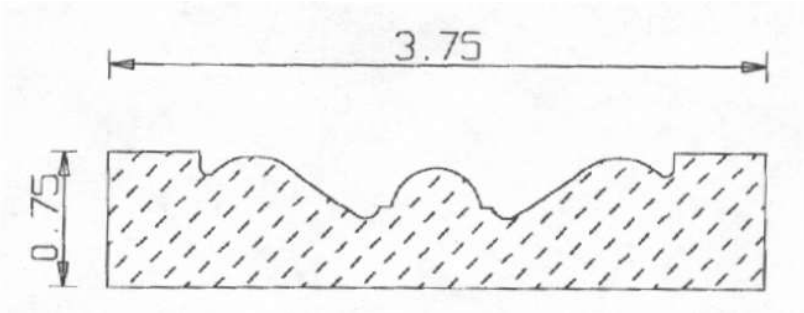
# Casing Molding



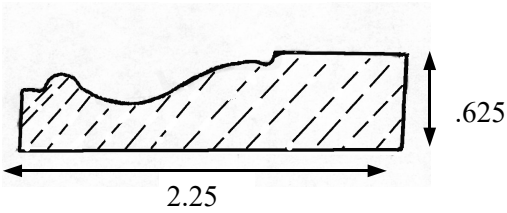


**Casing Molding**  
www.dannysmfg.com

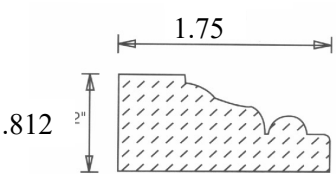
**DM-740**



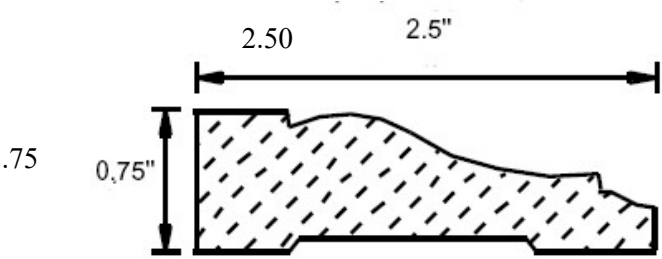
**DM-359**



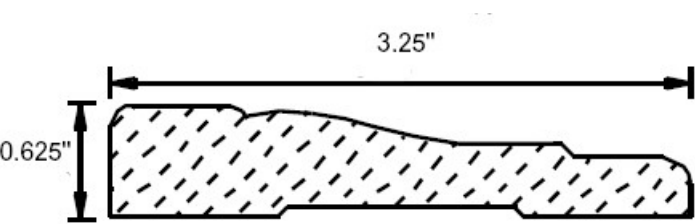
**DM-1787**



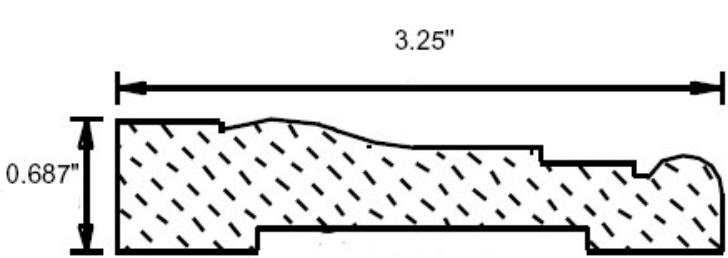
**DM-381**



**DM-444**

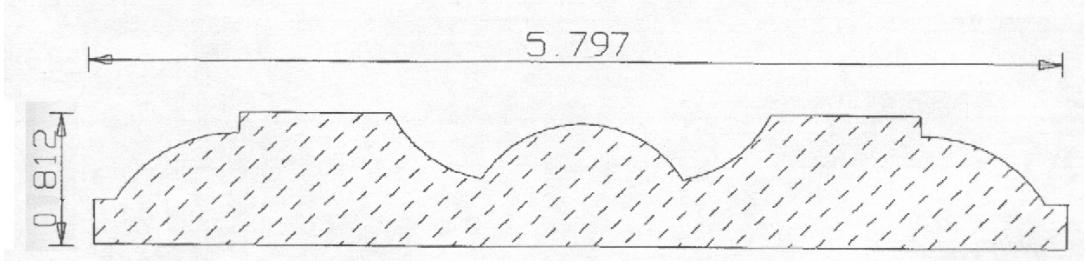


**DM-445**

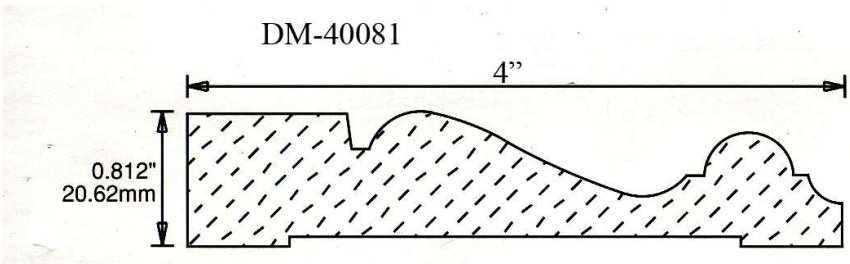


Casing Molding  
www.dannysmfg.com

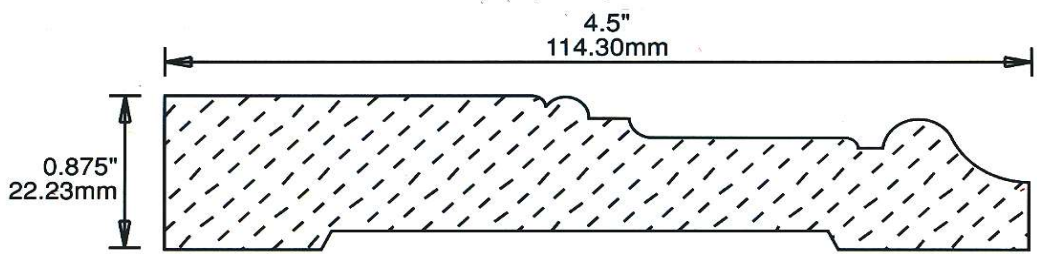
DM-8132



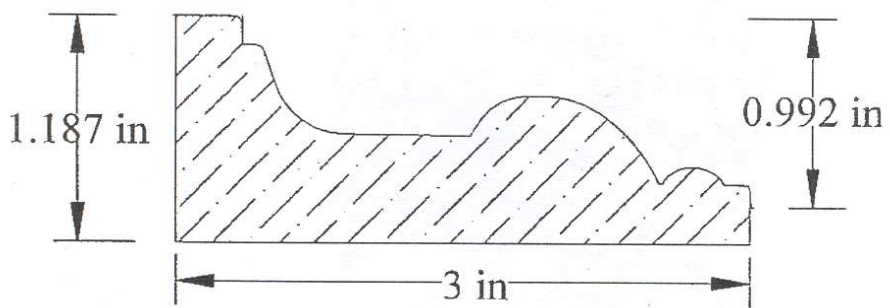
DM-40081



DM-4508



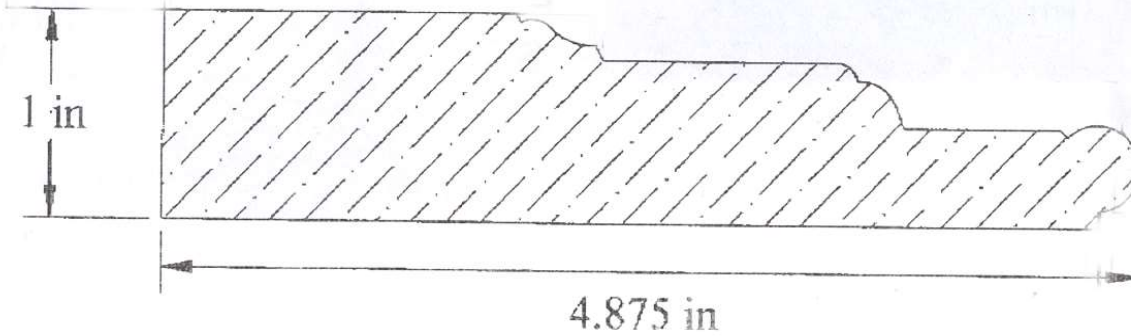
DM-228071



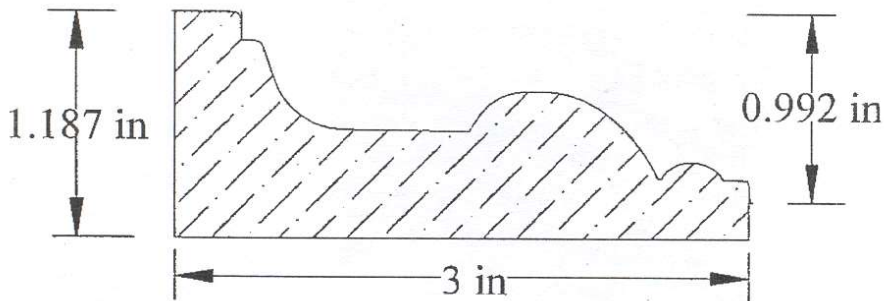
Casing Molding  
www.dannysmfg.com

# DM-514092

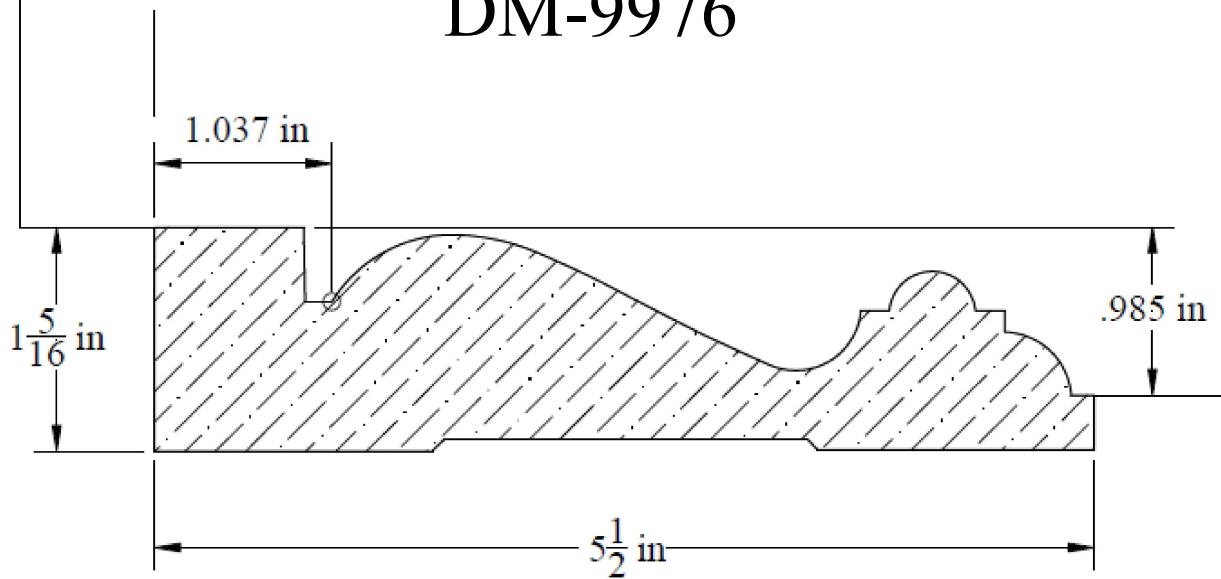
United Bank



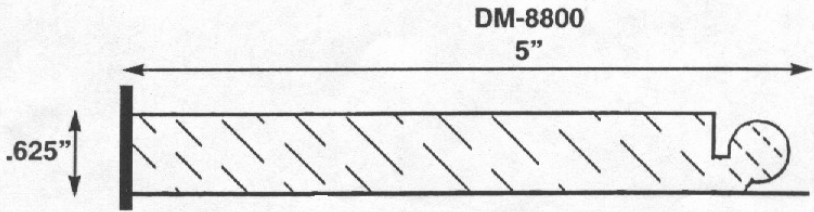
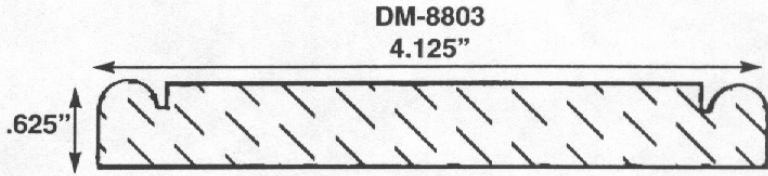
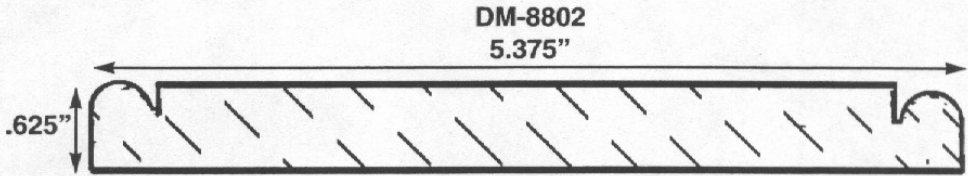
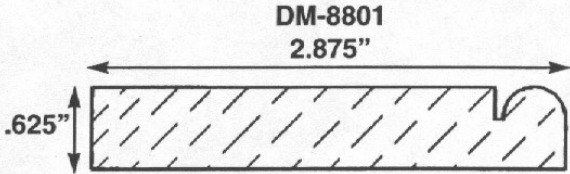
# DM-228071



# DM-9976

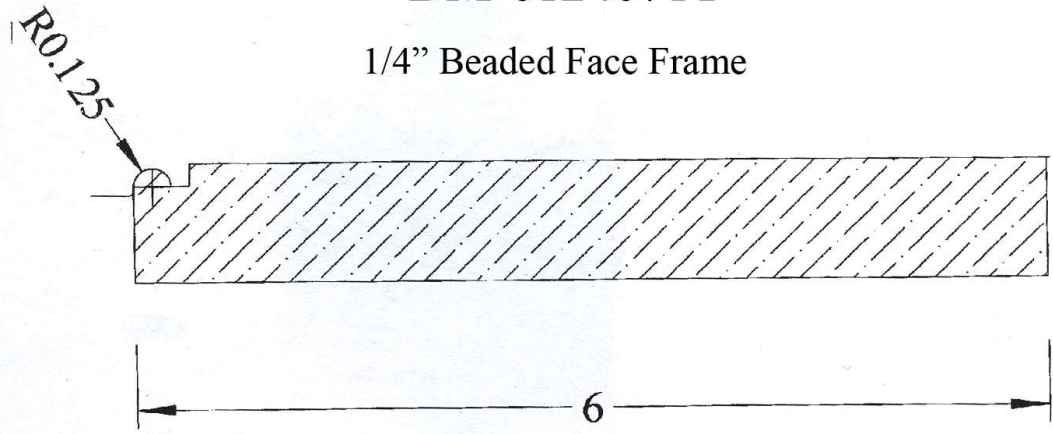


Casing Molding  
www.dannysmfg.com



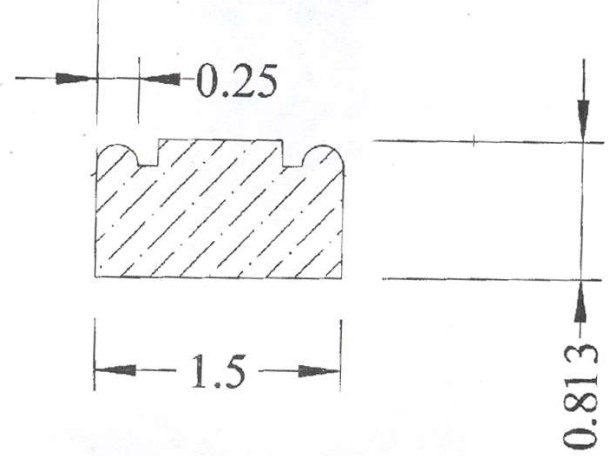
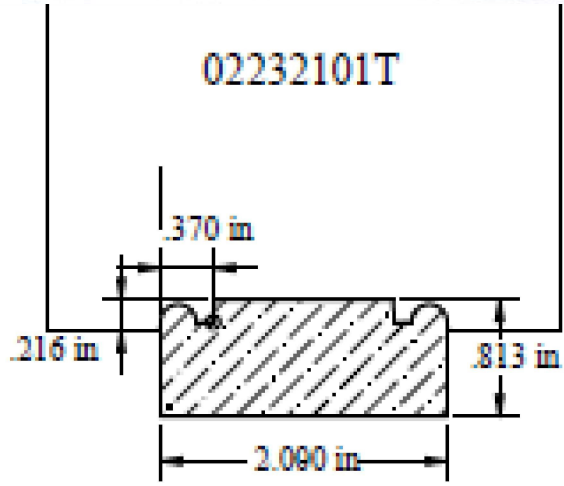
**DM-0124071T**

1/4" Beaded Face Frame

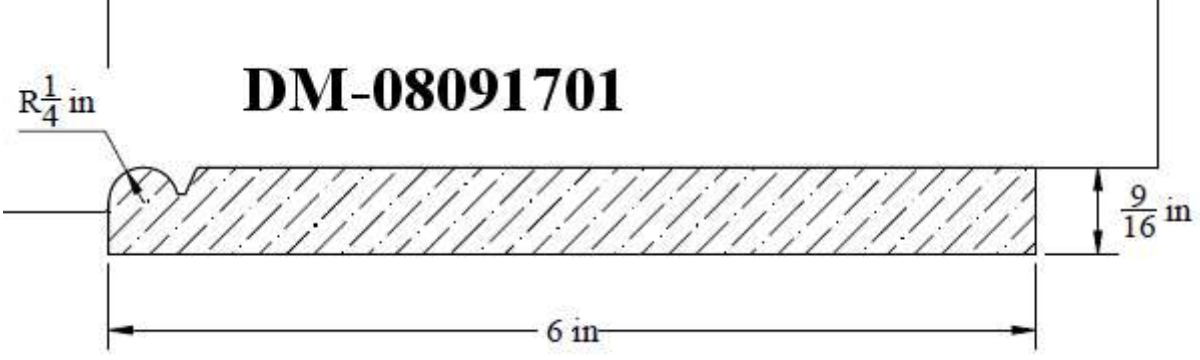


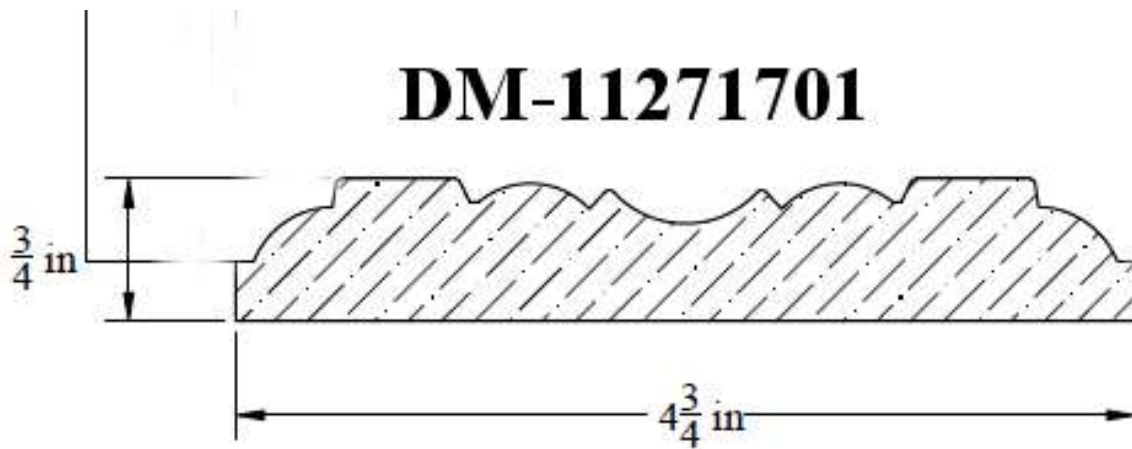
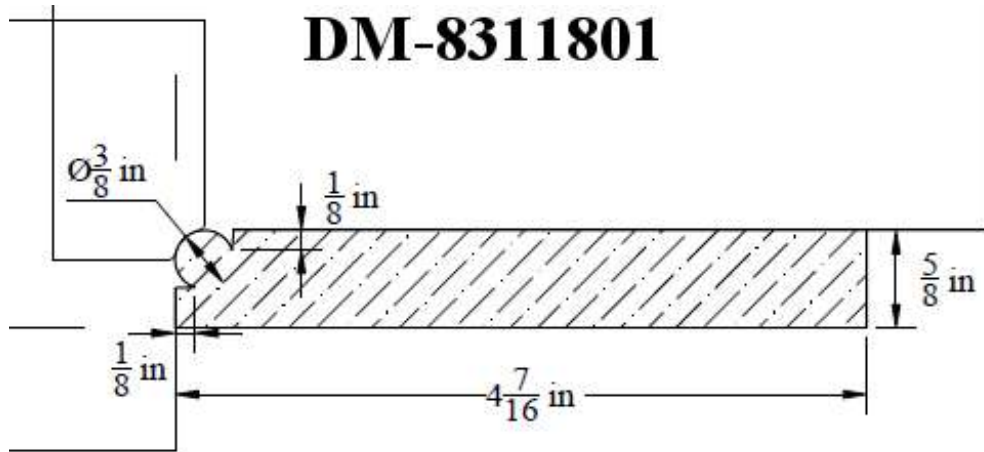
**DM-0124072T**

1/4" Beaded Face Frame



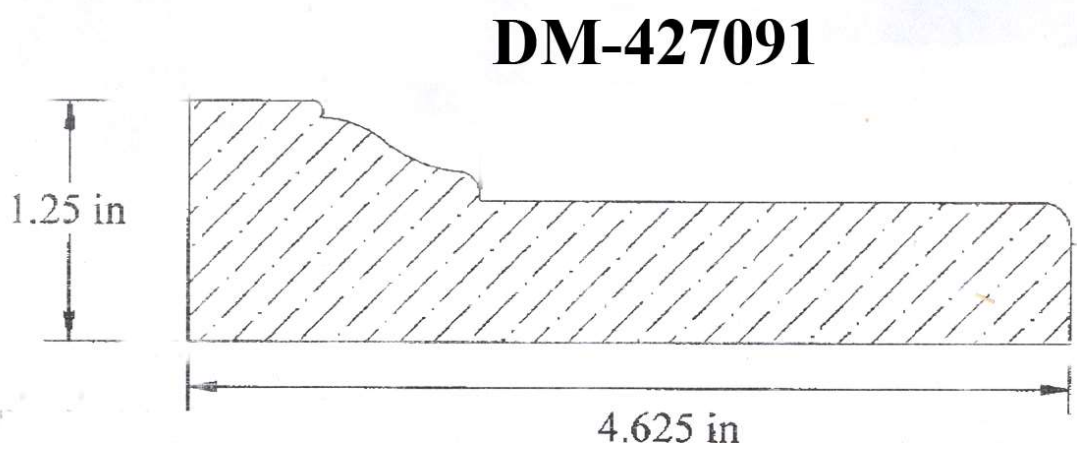
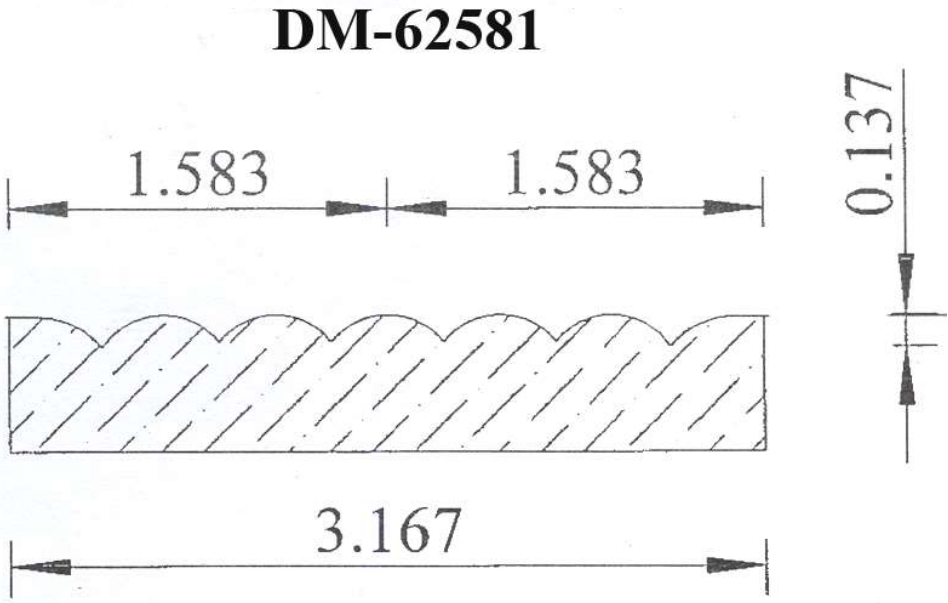
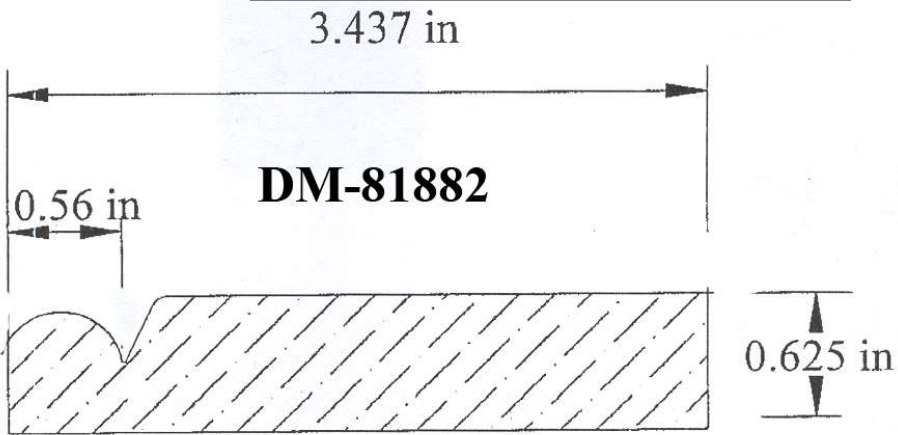
**DM-08091701**





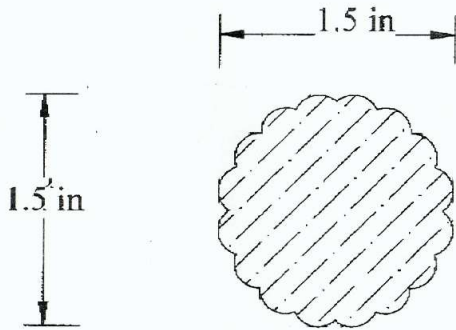


Casing Molding  
www.dannysmfg.com

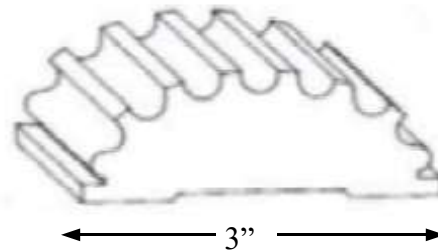


Casing Molding  
www.dannysmfg.com

DM-1311101

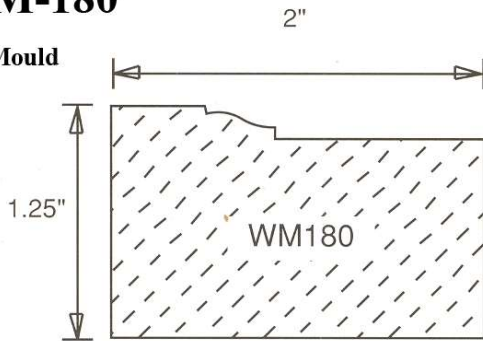


DM-7023

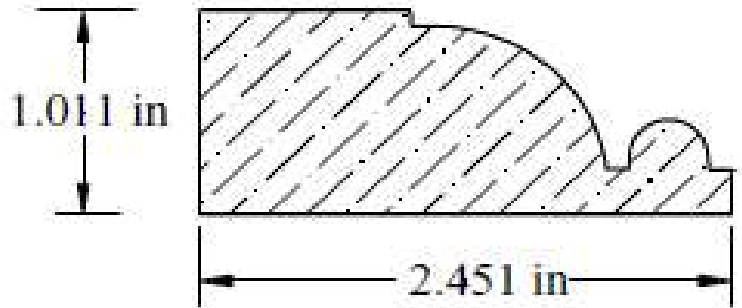


DM-180

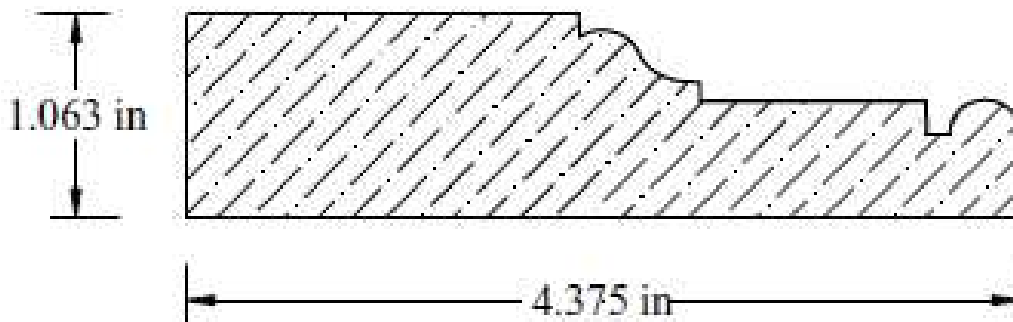
Brick Mould



DM-618303



DM-7101301

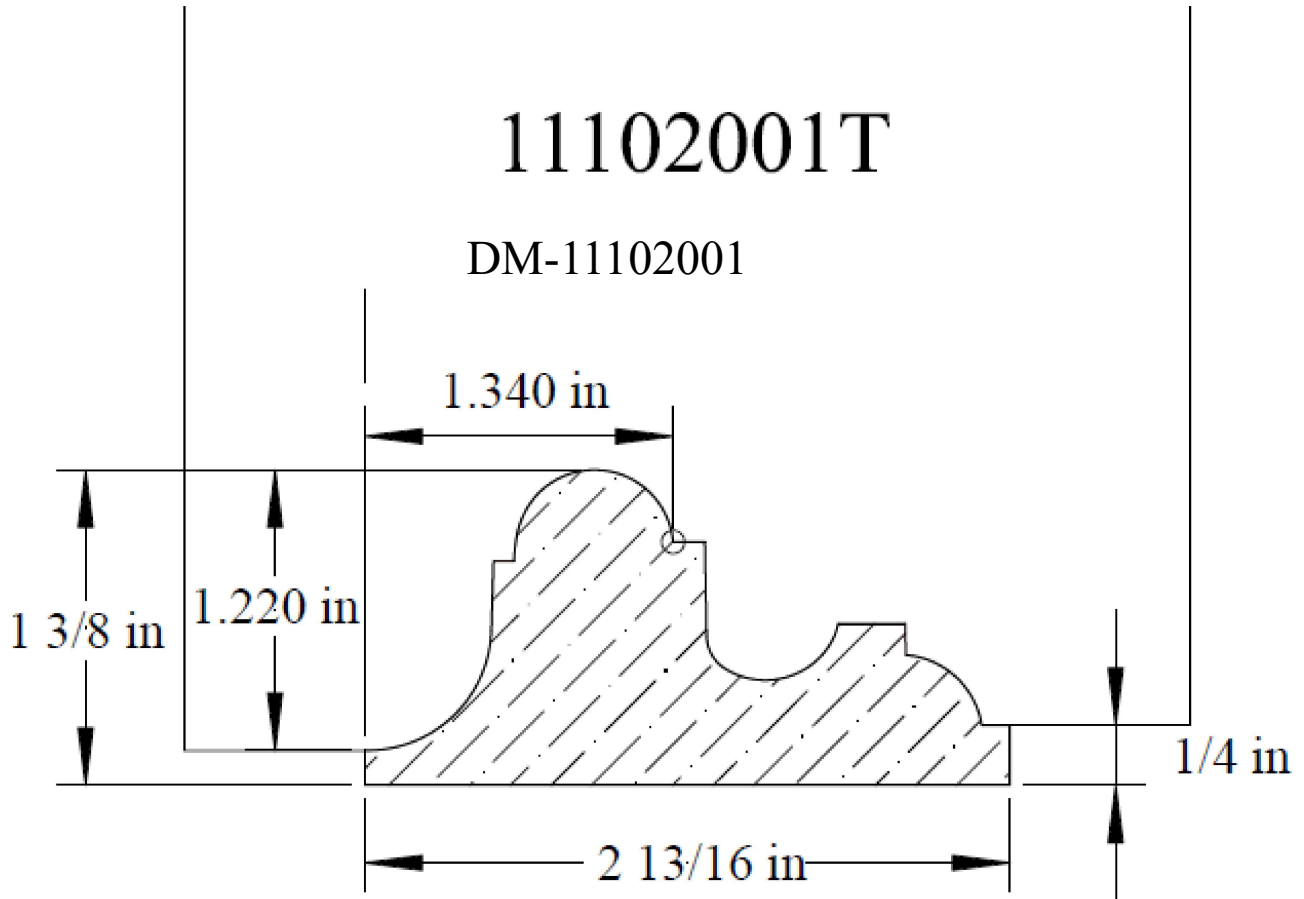




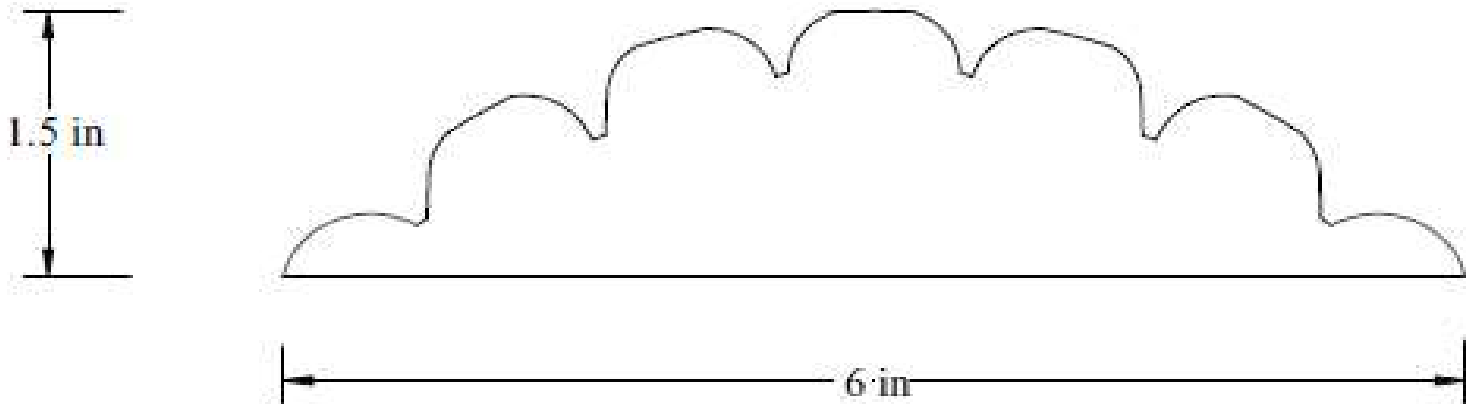
Casing Molding  
www.dannysmfg.com

11102001T

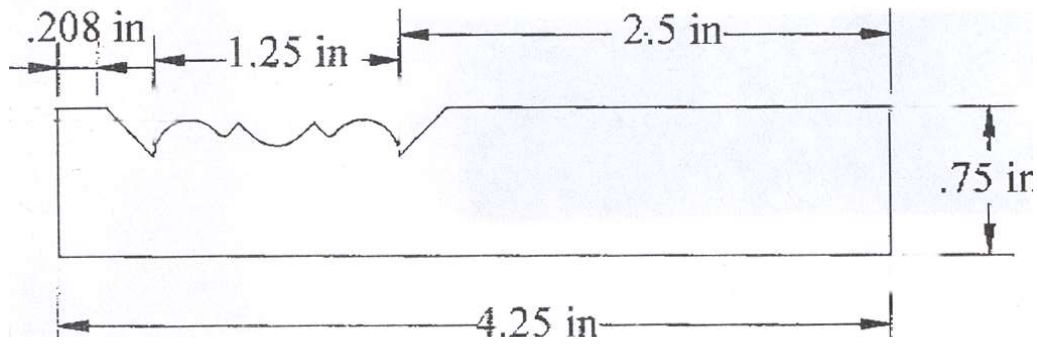
DM-11102001



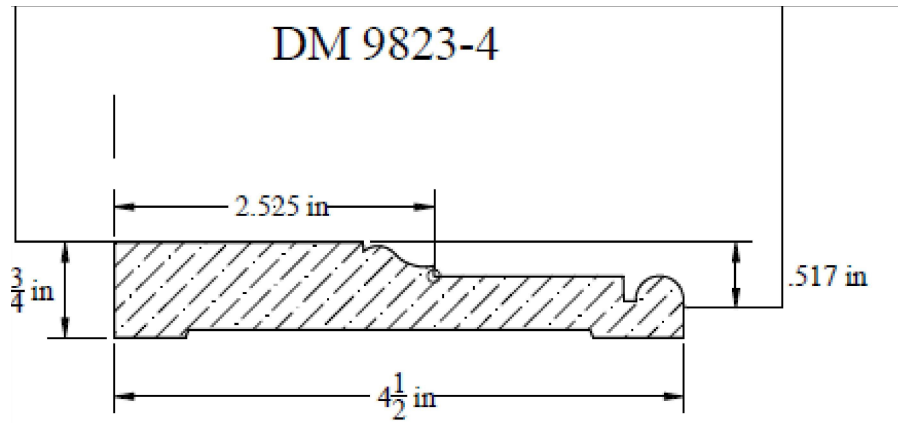
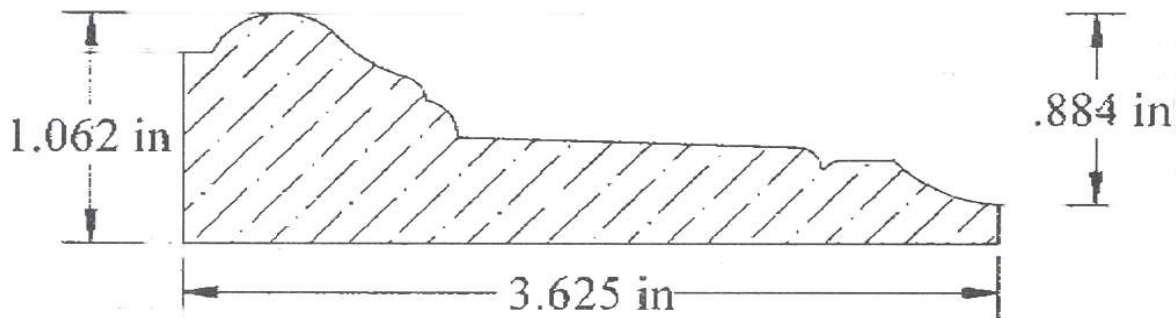
**DM-6301101**



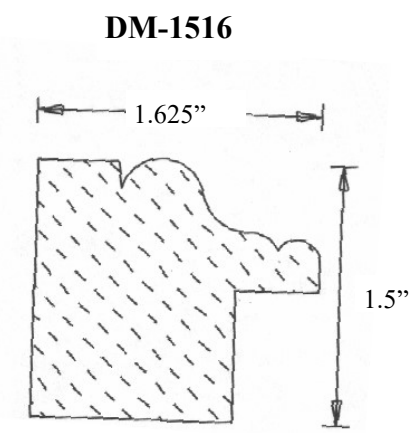
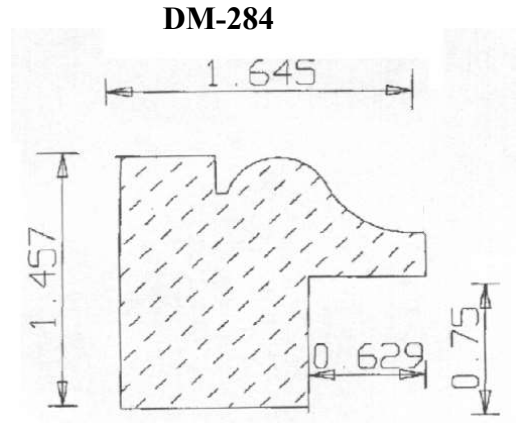
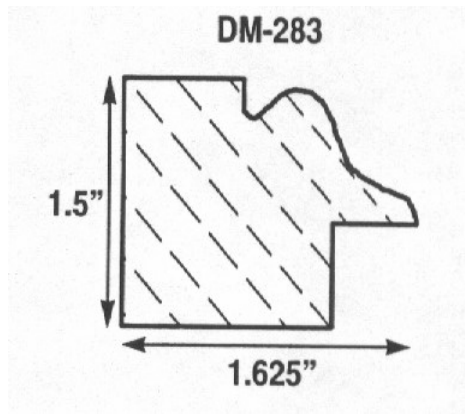
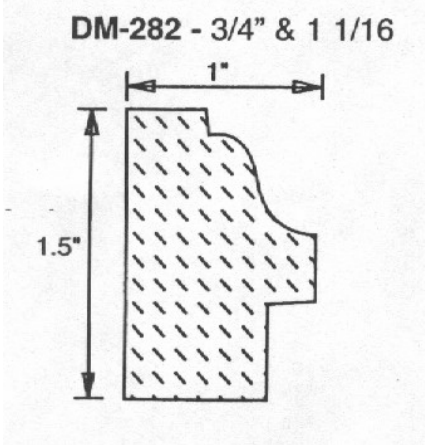
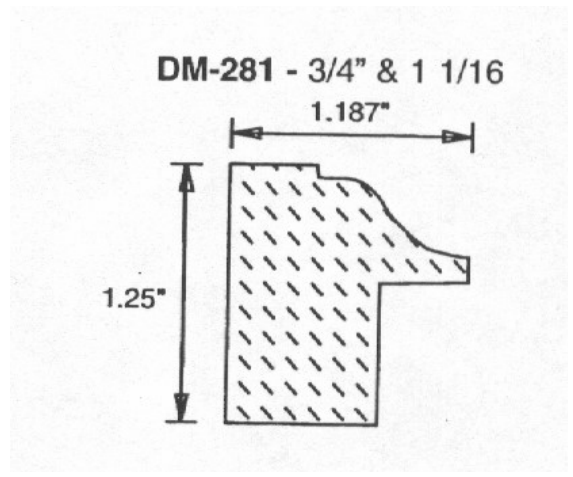
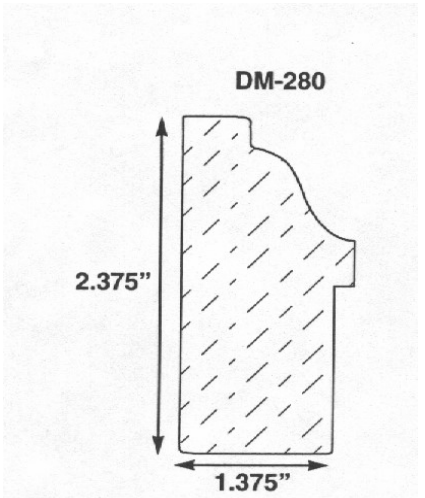
**DM-611101**



**DM-623101**

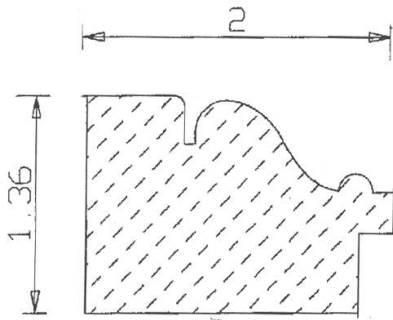


**Back Band Molding**  
www.dannysmfg.com

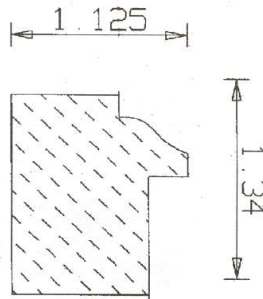


**Back Band Molding**  
www.dannysmfg.com

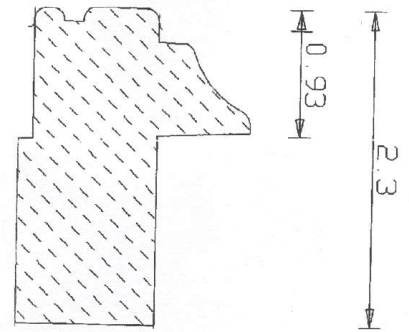
DM-92321



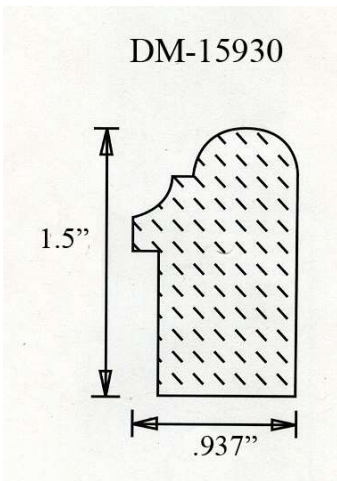
DM-93021



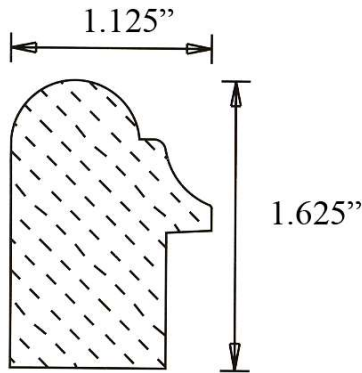
DM-61541



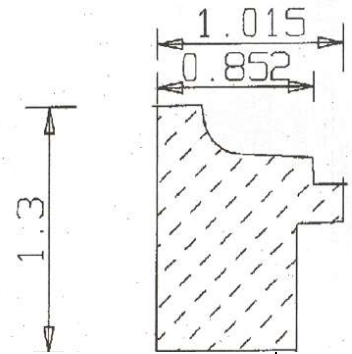
DM-15930



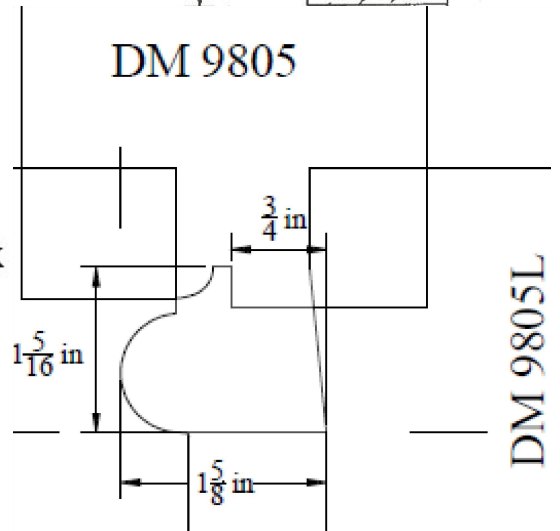
DM-16110



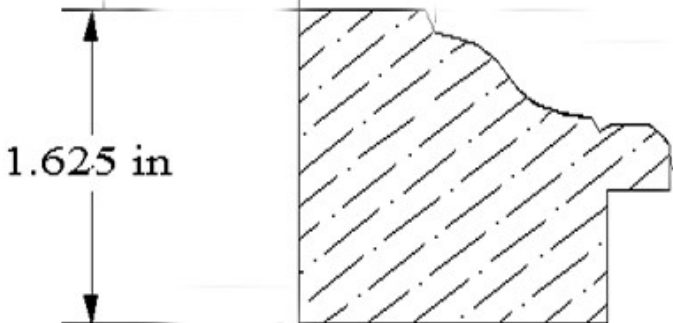
DM-121721



DM 9805



DM-514091



**United Bank**

**Base Molding**  
www.dannysmfg.com

DM-623, 5/8 x 3.1/4

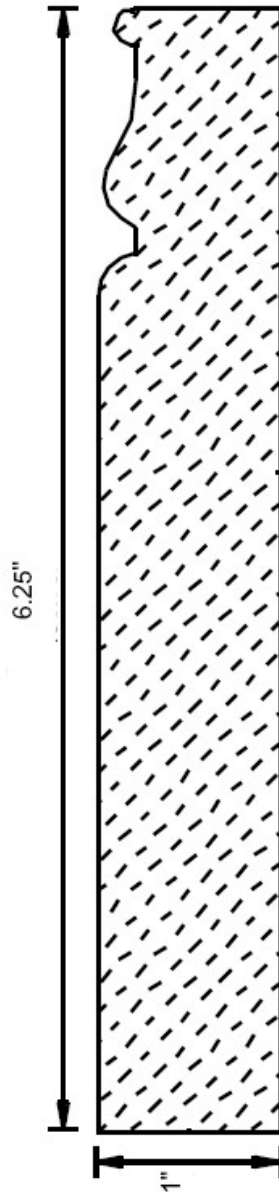
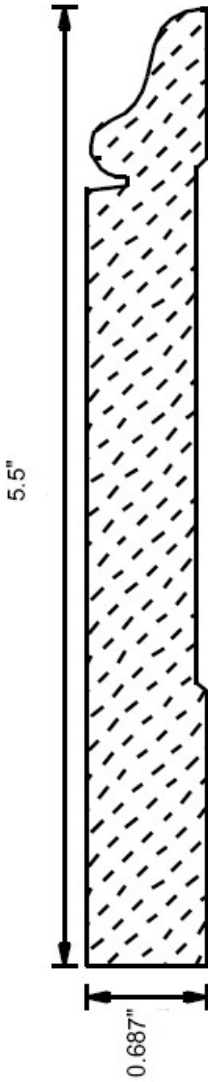
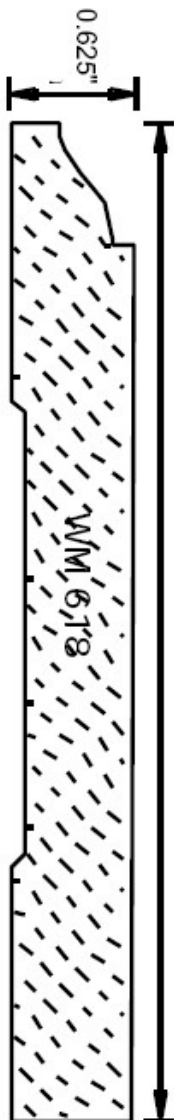
DM-620, 5/8 x 4.1/4

DM-618, 5/8 x 5.1/4

DM-630, 5/8 x 4.1/4

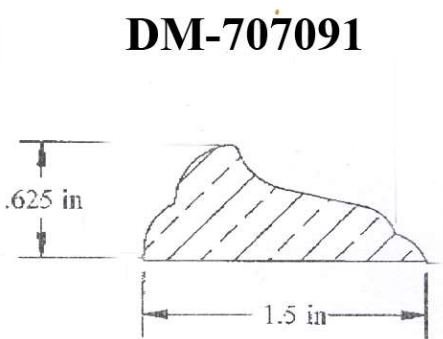
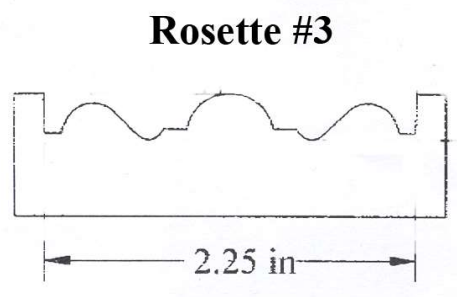
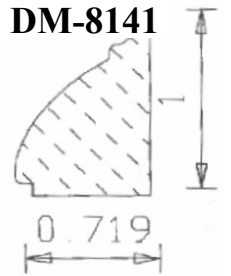
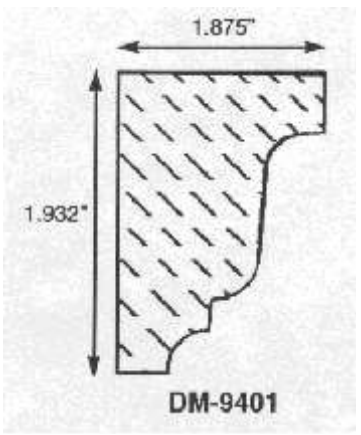
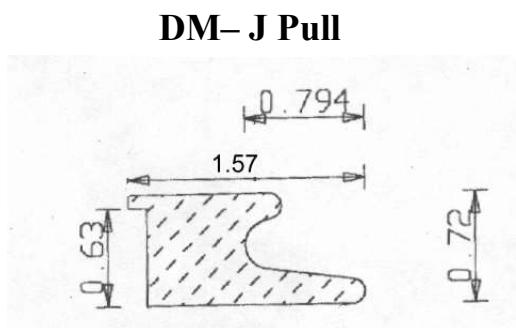
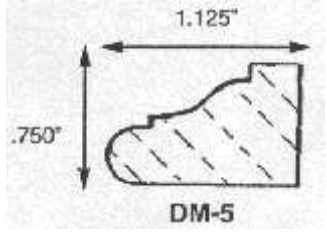
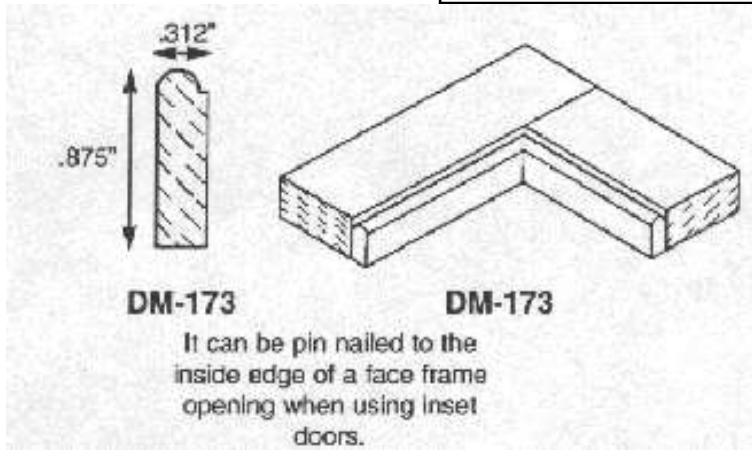
DM-638, 5/8 x 5.1/4

DM-742 1x 6.1/4



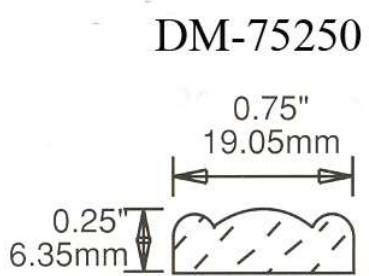
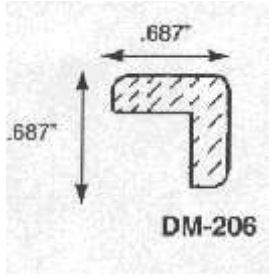
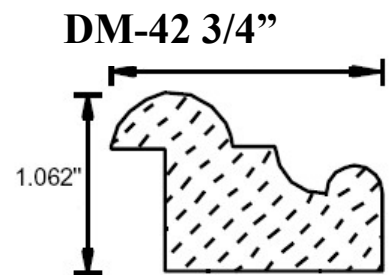
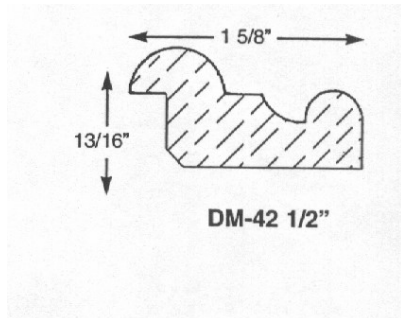
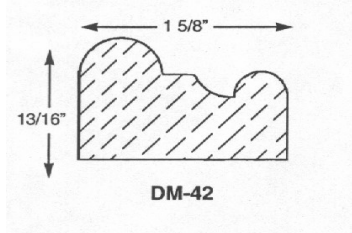
**DM-713**  
5/8 x 3.25"

**Panel Molding**  
www.dannysmfg.com

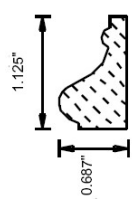




**Panel Molding**  
www.dannysmfg.com



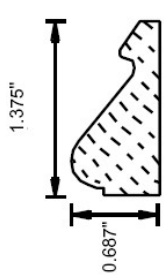
**DM-167**



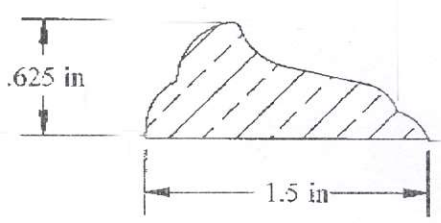
**DM-162**



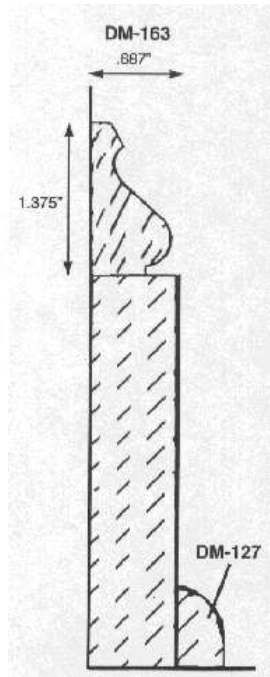
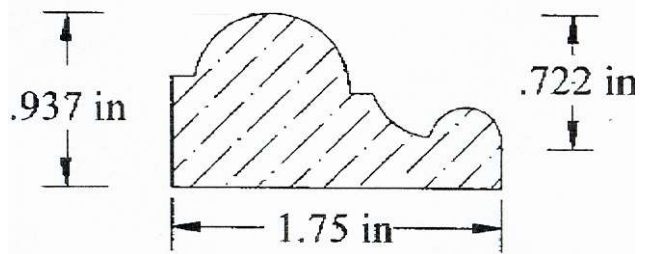
**DM-163**



**DM-707091**

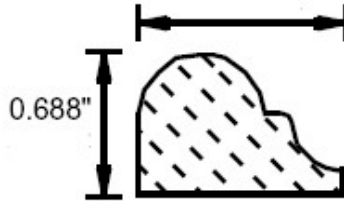


**DM-1229101**

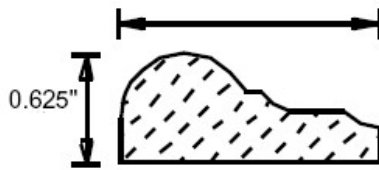


**Panel Molding**  
www.dannysmfg.com

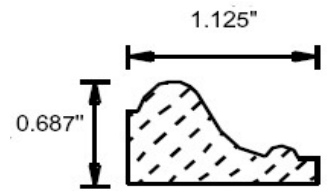
**DM-106**



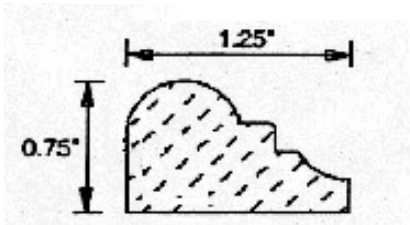
**DM-109**



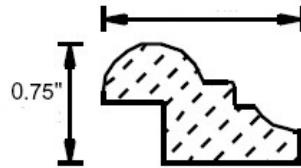
**DM-167"**



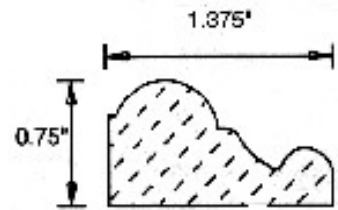
**DM-1275**



**DM-1275 3/8"**



**DM-1375**



**DM-85**

0.75"



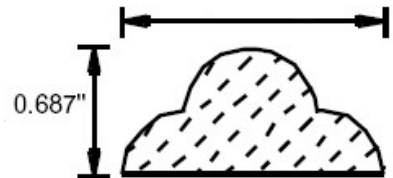
**DM-35**

0.75"



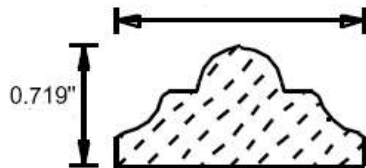
**DM-350**

1.437"

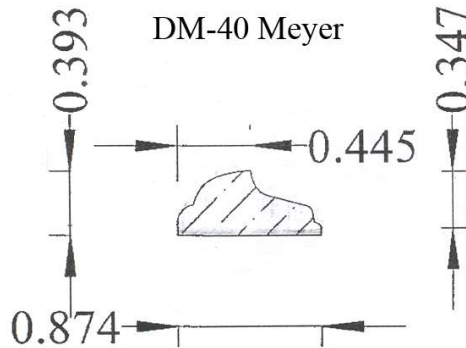


**DM-850**

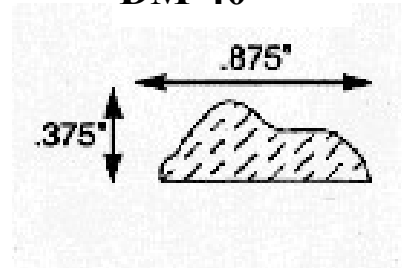
1.1/2"



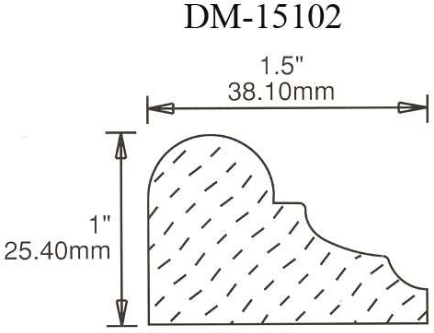
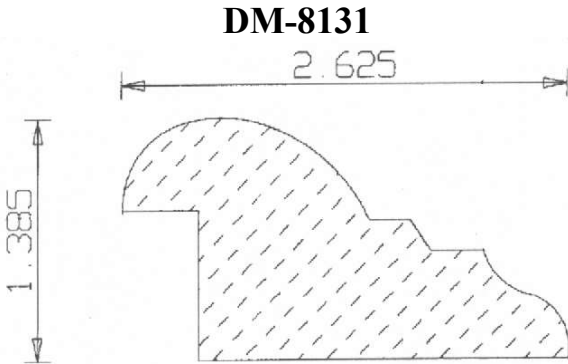
**DM-40 Meyer**



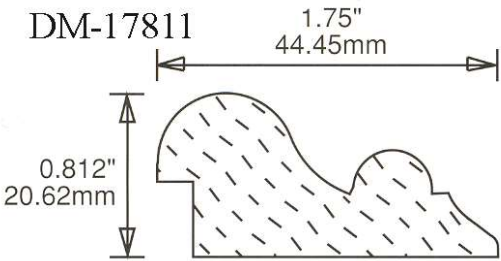
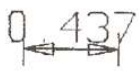
**DM-40**



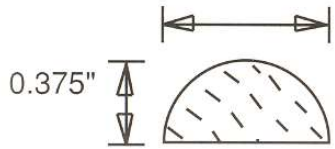
**Panel Molding**  
www.dannysmfg.com



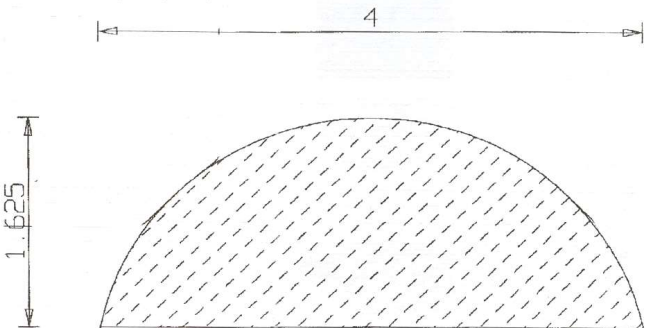
**DM-F0-43D**



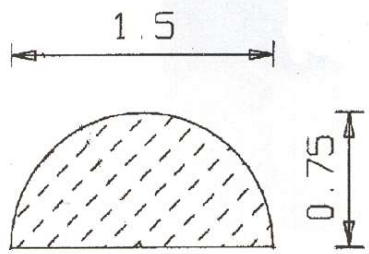
**DM-H0-75**  
0.75"



**DM-3251**



**DM-H1-50A**



**Panel Molding**  
www.dannysmfg.com

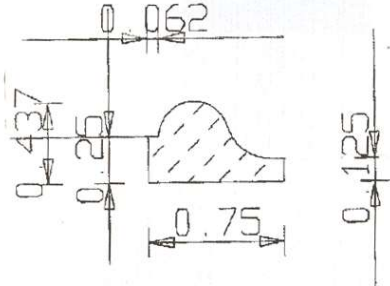
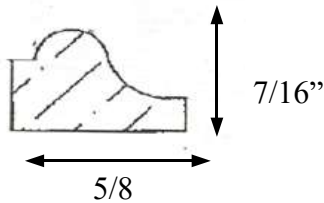
DM-33051

DM-172

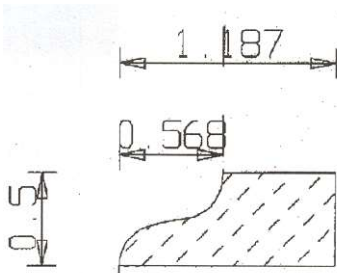


5/8 x 3/4

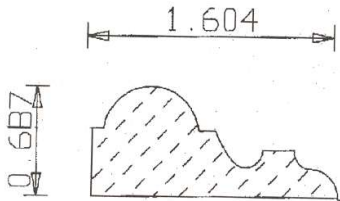
DM-61651T



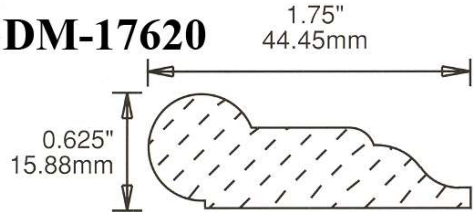
DM-93022



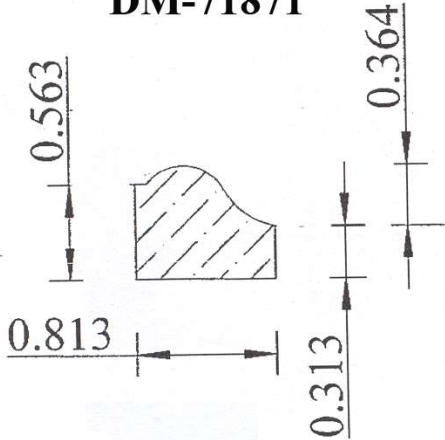
DM-93023



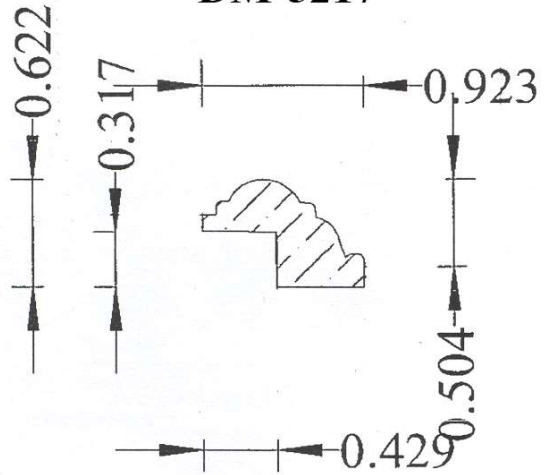
DM-17620



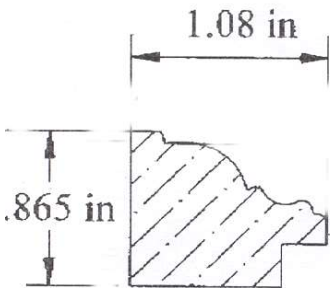
DM-71871



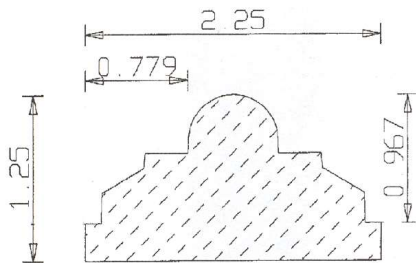
DM-5217



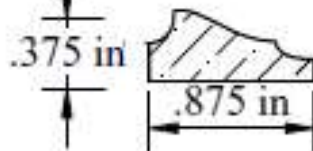
DM-831091



DM-12932

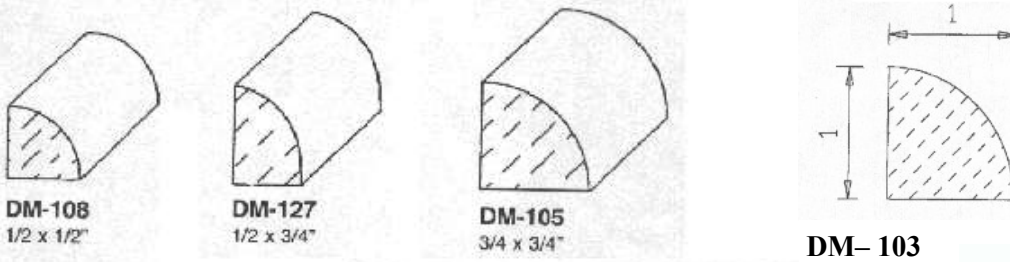
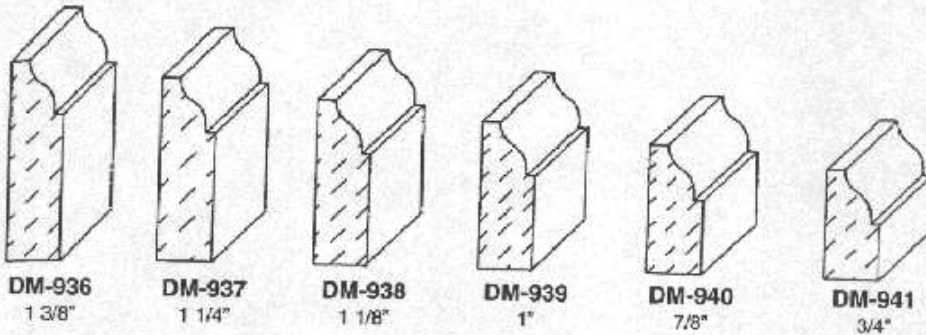


DM-10041

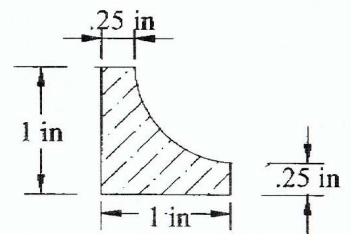
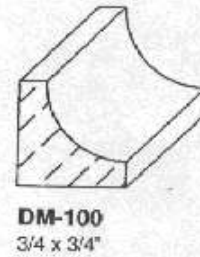
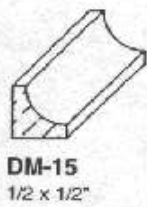
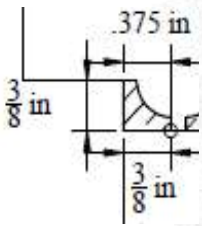




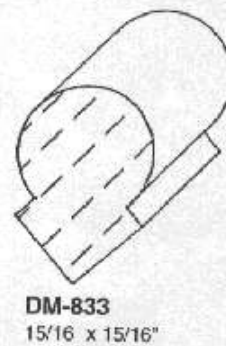
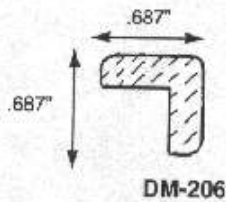
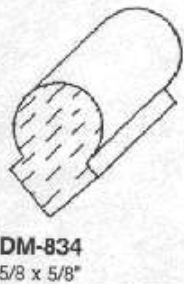
Mis. Molding  
www.dannysmfg.com



DM-1000



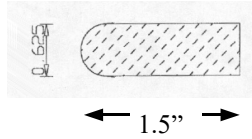
DM-14  
3/8 X 3/8  
Cove



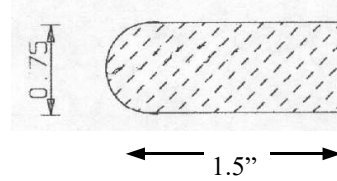
Danny's Manufacturing

706-647-9287 • Fax: 706-646-3487 • 1-888-999-3411

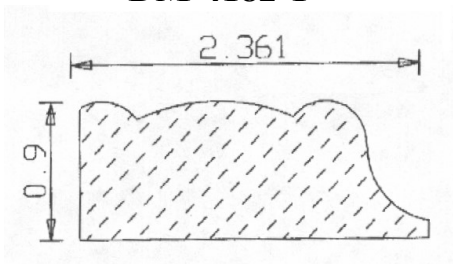
**DM-25.5/8"**



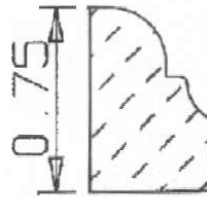
**DM-25.3/4"**



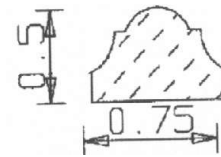
**DM-4182-1**



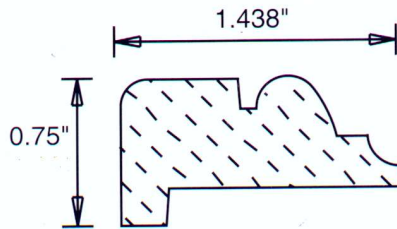
**DM-6221**



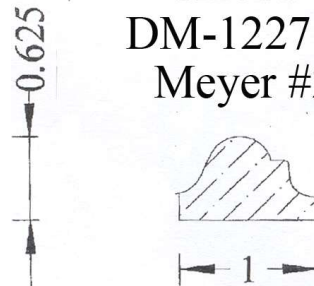
**DM-6222**



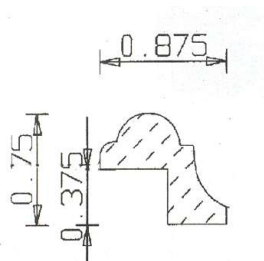
**DM-1475**



**DM-12271T**  
**Meyer #2**

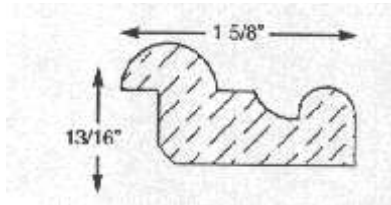


**DM-9183**

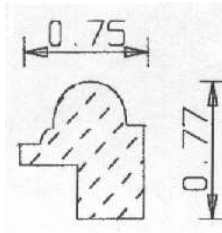




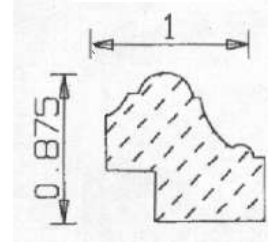
DM-42,1/2



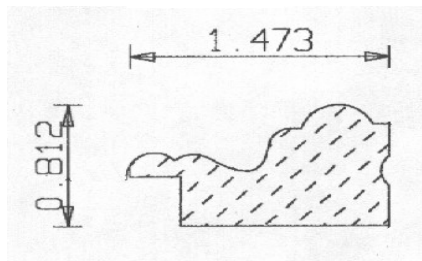
DM-P 1



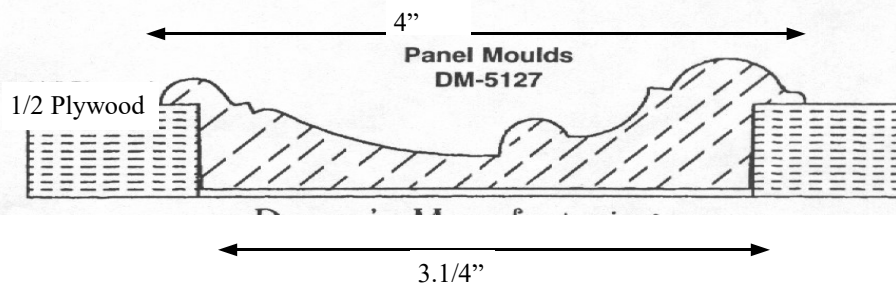
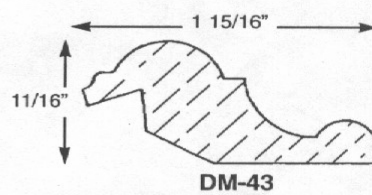
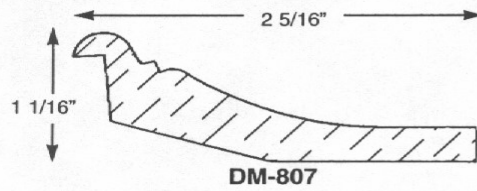
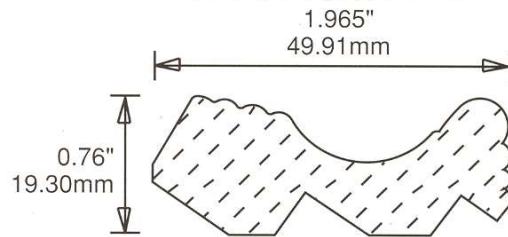
DM-P 2



DM-P 3

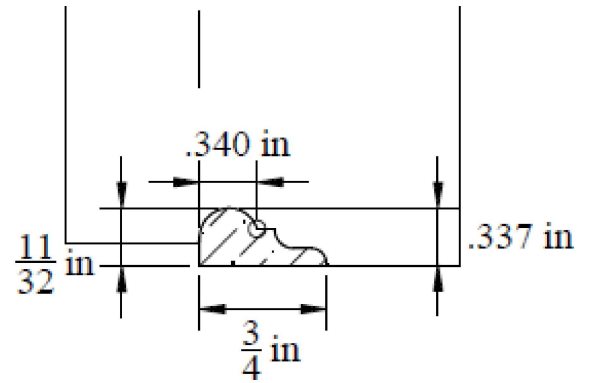
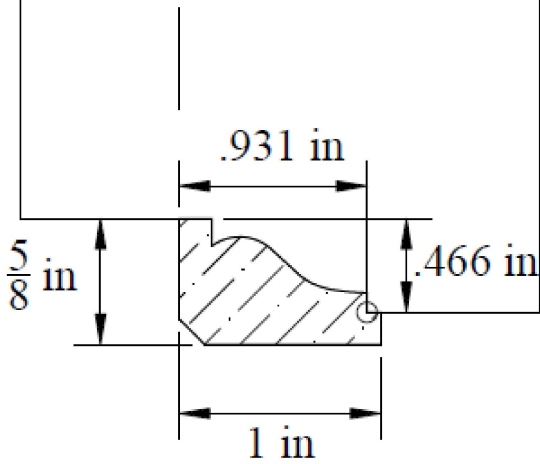


DM-ROD2

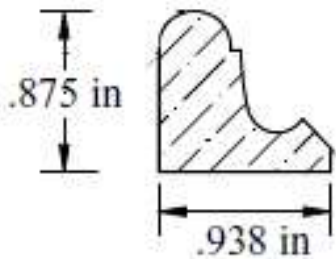


04052102T

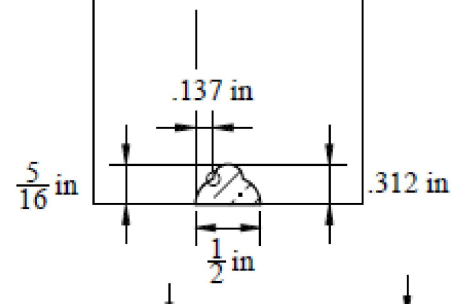
DM-09172001



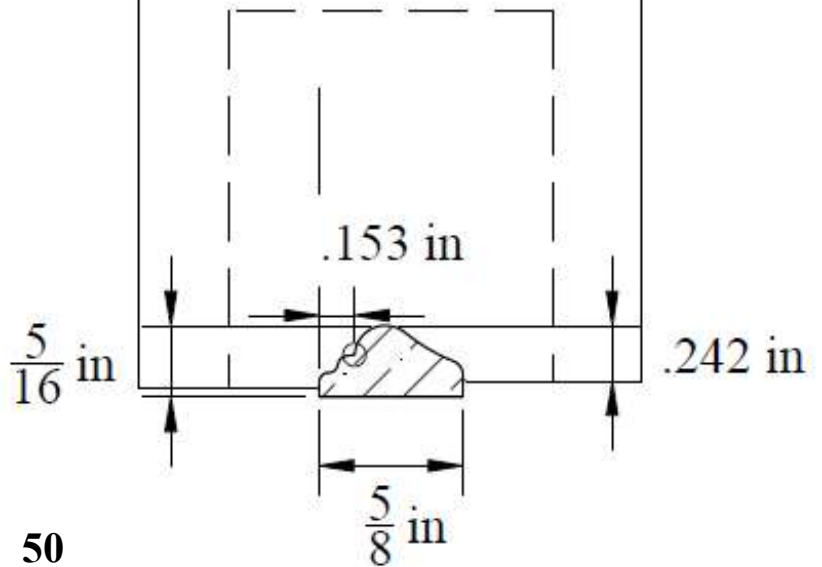
DM-6181301



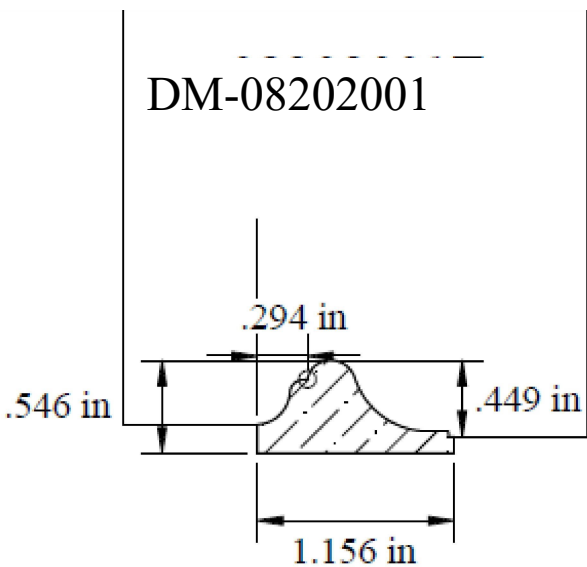
02022101T



DM-06222001

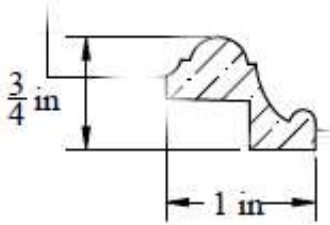


DM-08202001

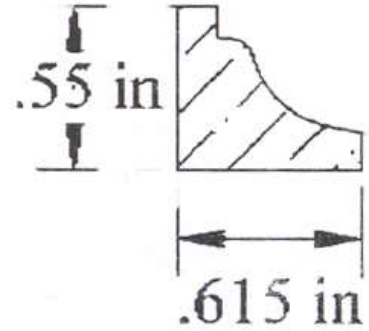
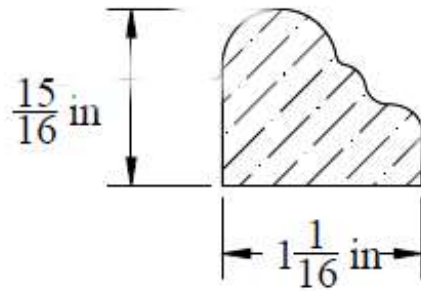


**DM-930104**

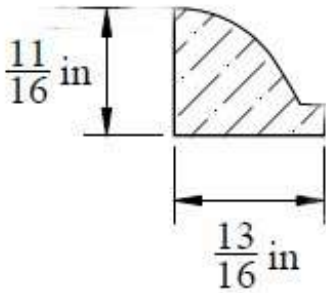
**DM-03291801**



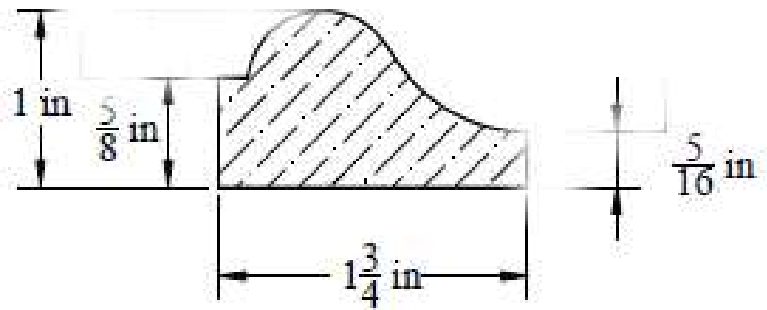
**DM-5171801**



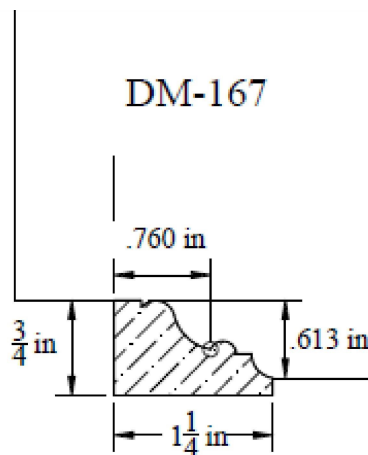
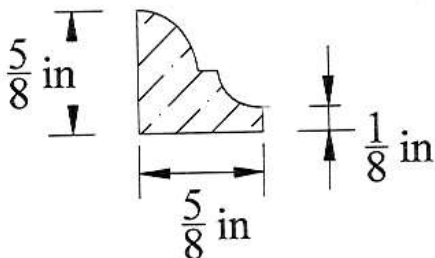
**DM-10021801**



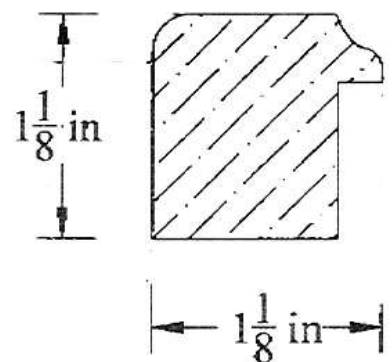
**DM-06121701**



**DM-12011401**

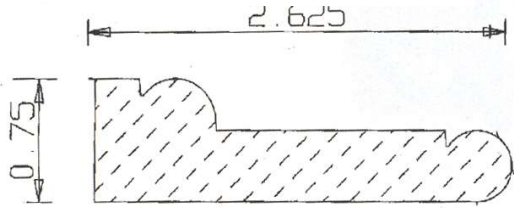


**DM-12011402**

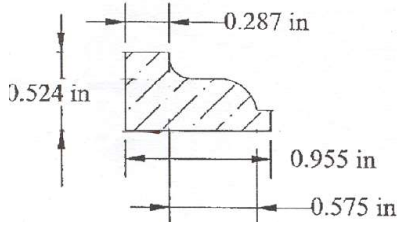


Mis. Molding  
www.dannysmfg.com

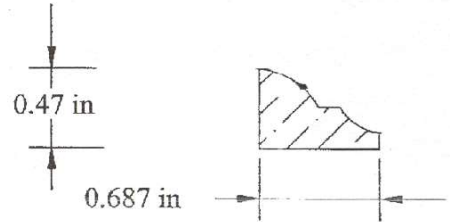
DM-8293



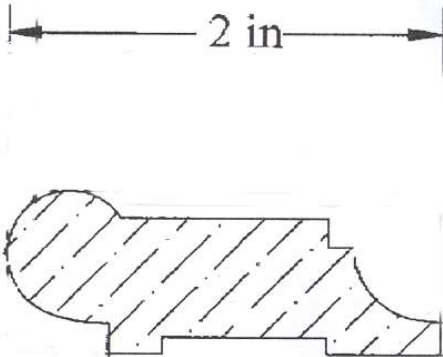
DM-61052T



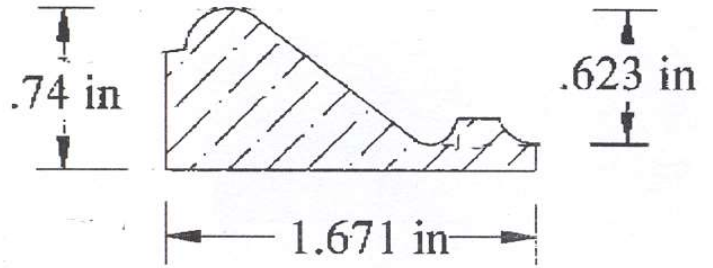
DM-61053T



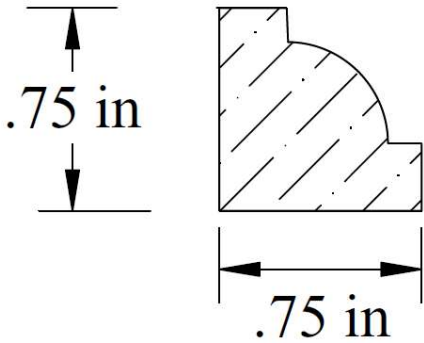
DM-1015101



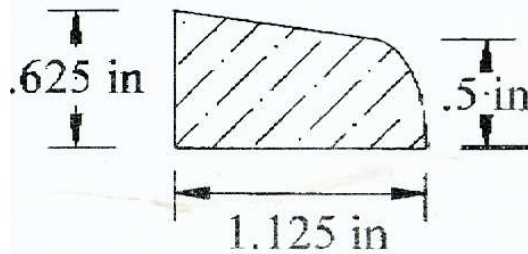
DM-1015102



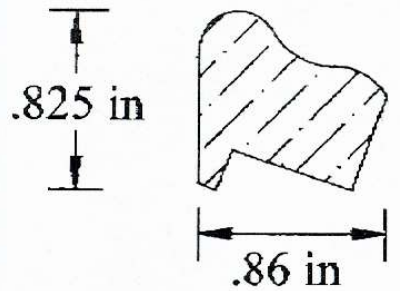
DM-3201302 or RB9857



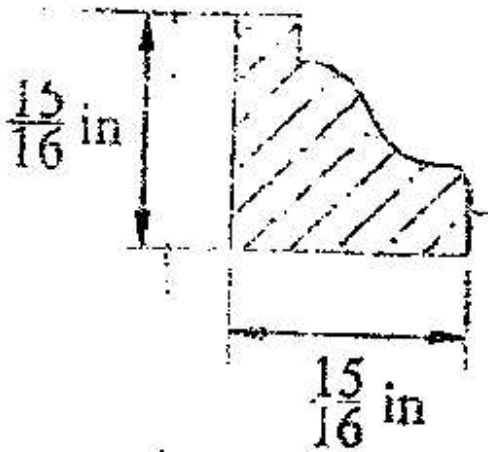
DM-3061301



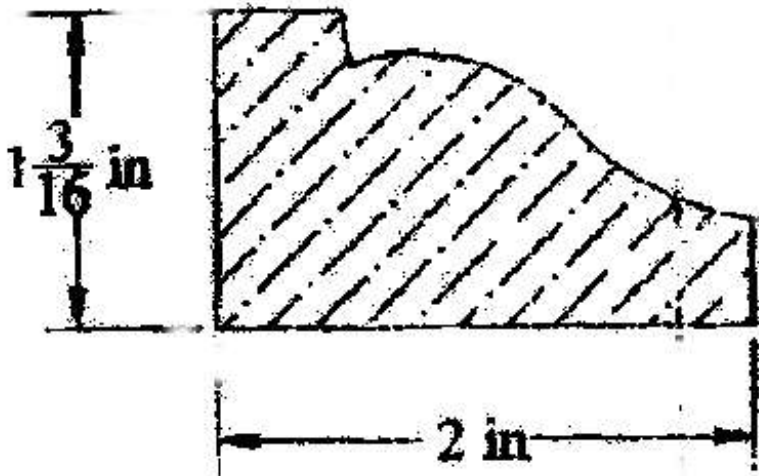
DM-1311302



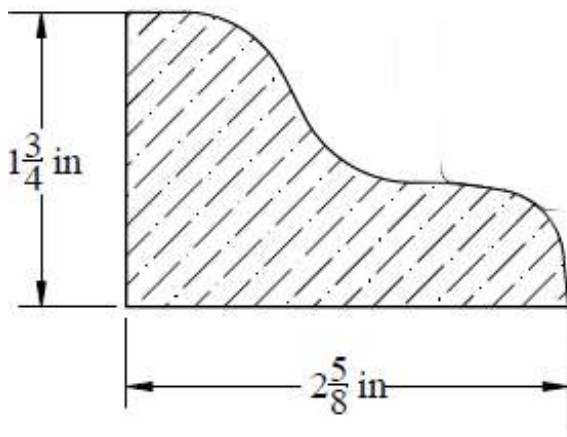
**DM-10291902**



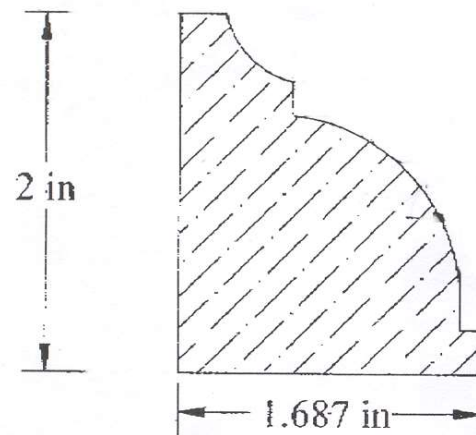
**DM-10291901**



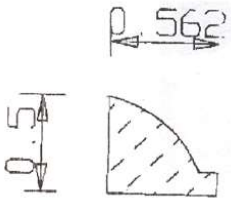
**DM-10171901**



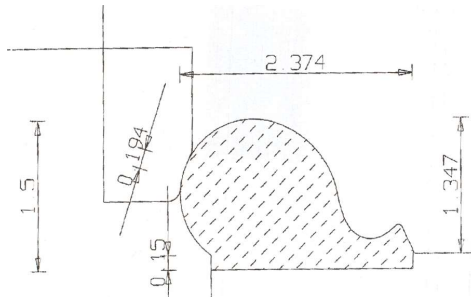
**DM-713101**



DM-11034

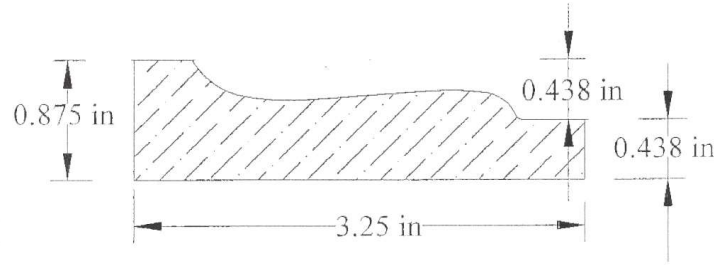


DM-21052

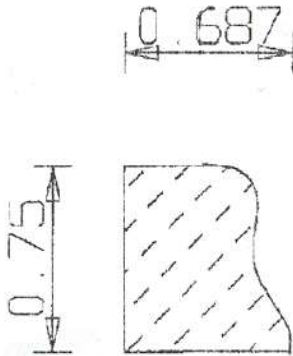


0.422 in

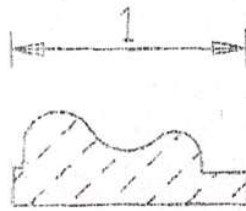
DM-81507



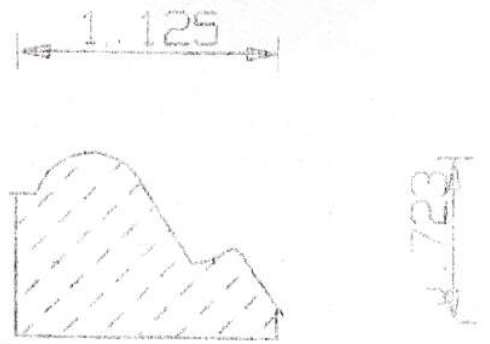
DM-1214



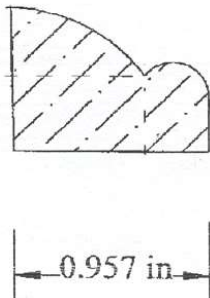
DM-7214



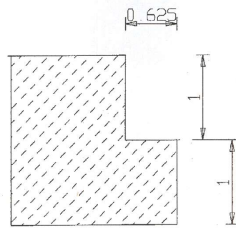
DM-3154



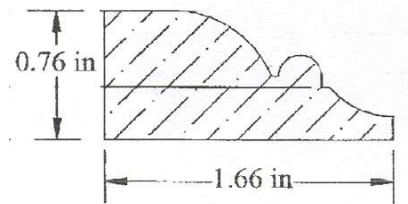
DM-61051T



DM-10163



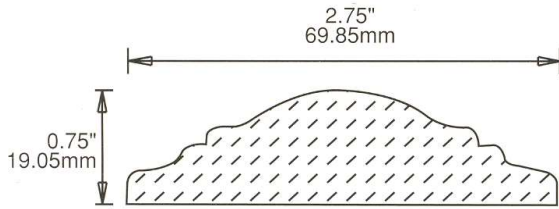
DM-61054T



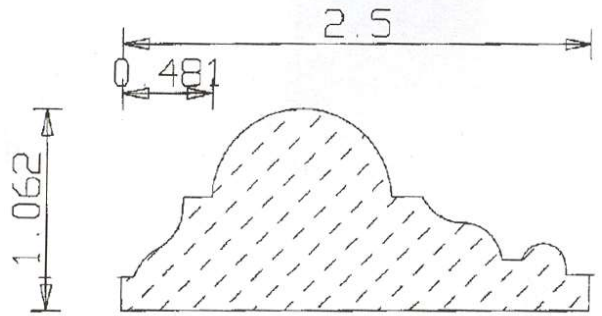


**Chair Rail**  
[www.dannysmfg.com](http://www.dannysmfg.com)

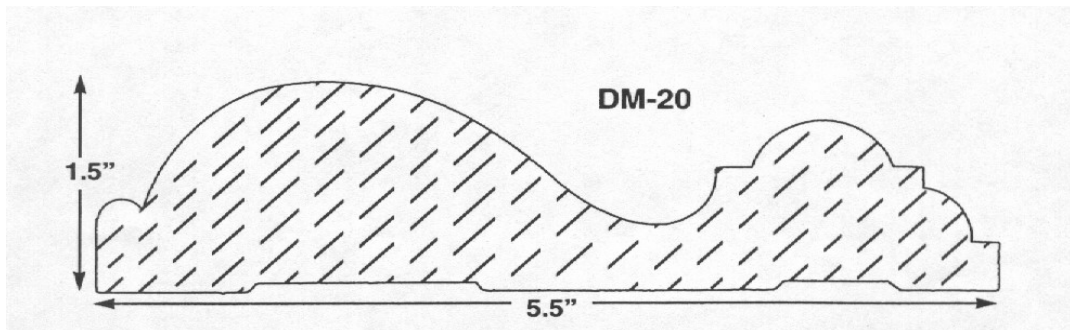
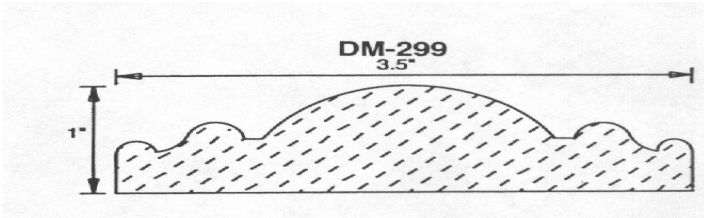
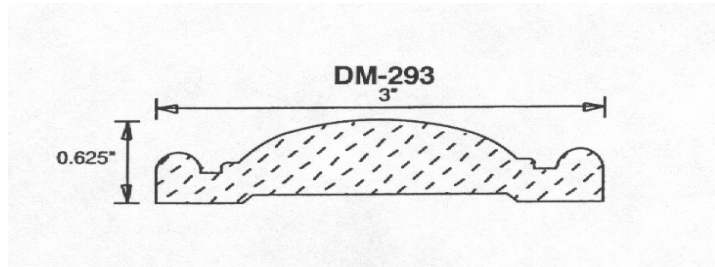
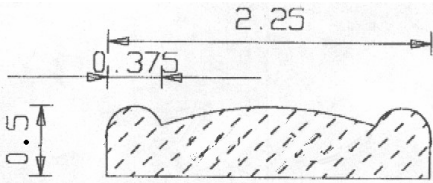
**DM-75270**



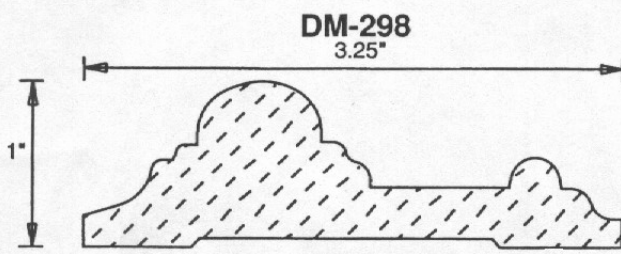
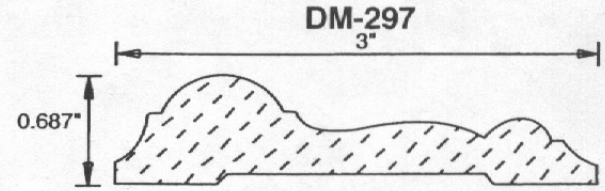
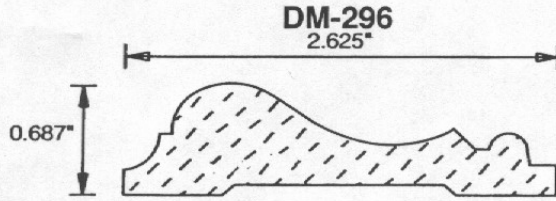
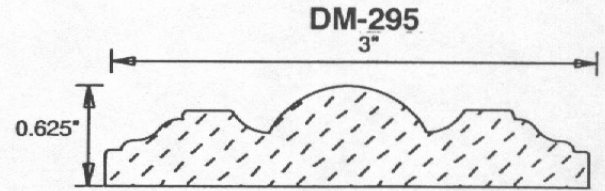
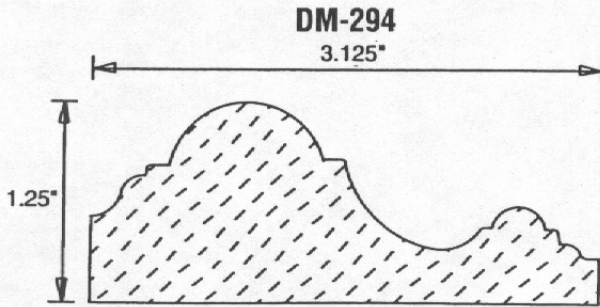
**DM-121932**



**DM-304**

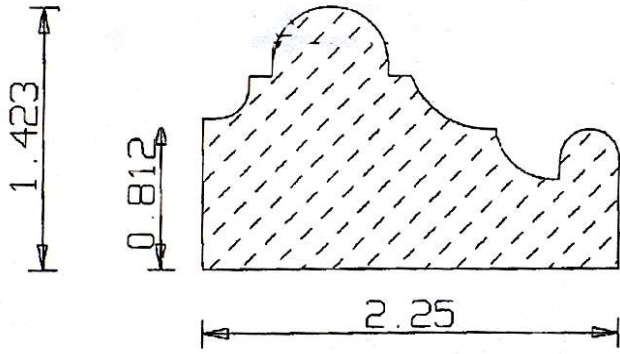


Chair Rail  
www.dannysmfg.com

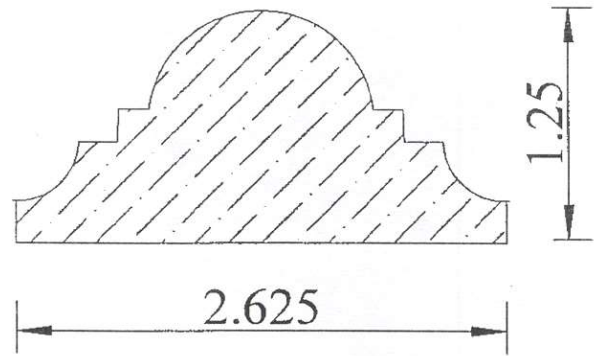


Chair Rail  
www.dannysmfg.com

**DM-2861**

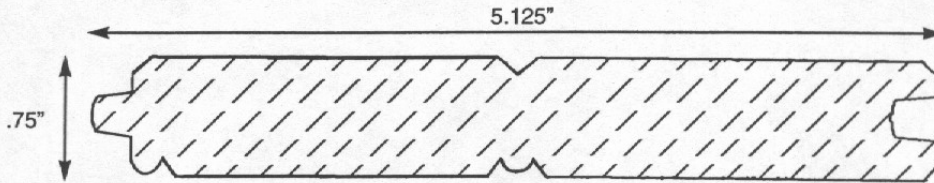


**DM-101171**

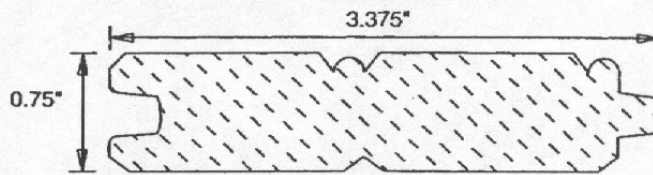


**Tongue & Groove**  
www.dannysmfg.com

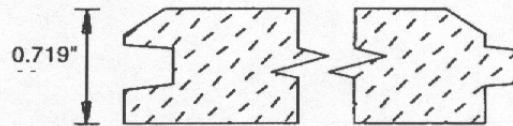
**DM-421BV**



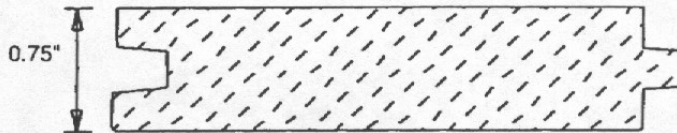
**DM-422BV**



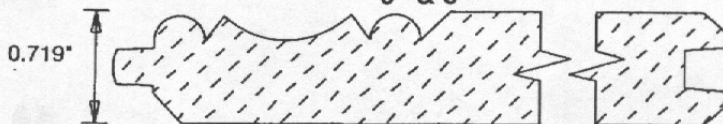
**DM-423V**  
3" & 6"



**DM-400**  
3" & 6"

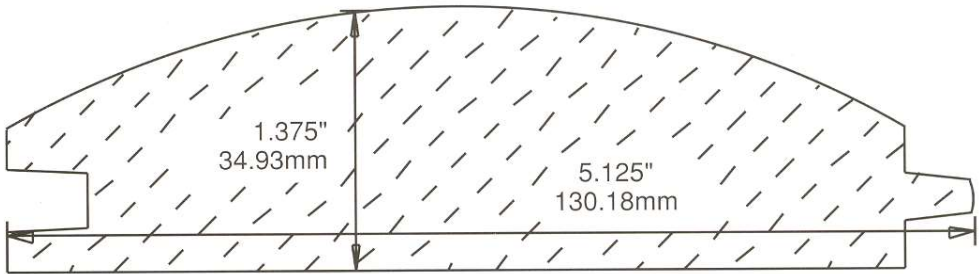


**DM-423**  
6" & 8"

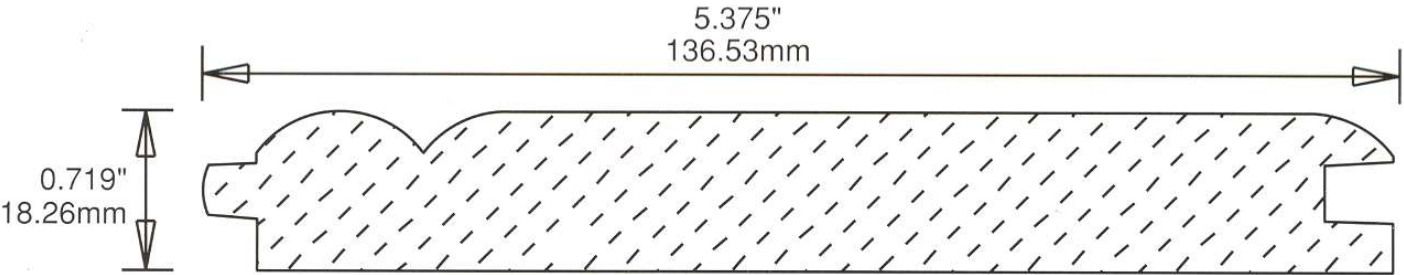


**Tongue & Groove**  
www.dannysmfg.com

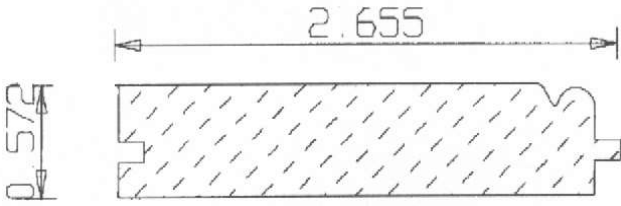
**DM-PT1347R01**



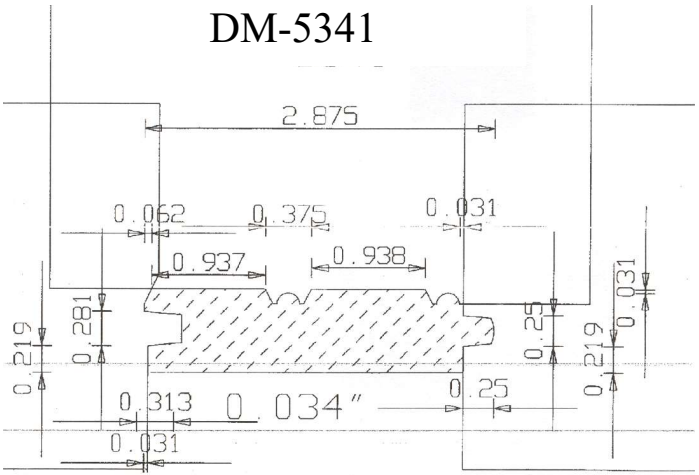
**DM-PT7151PR1**



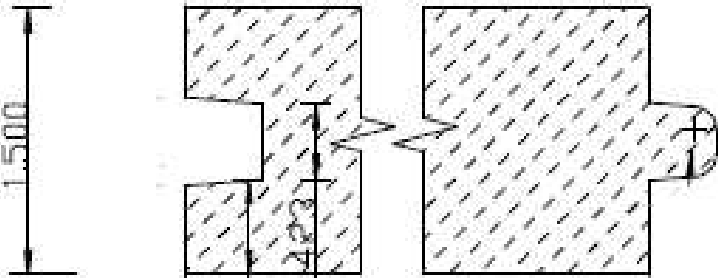
**DM- 8133**



**DM-5341**

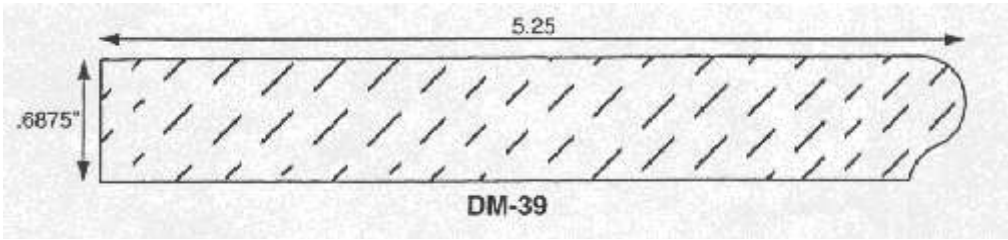
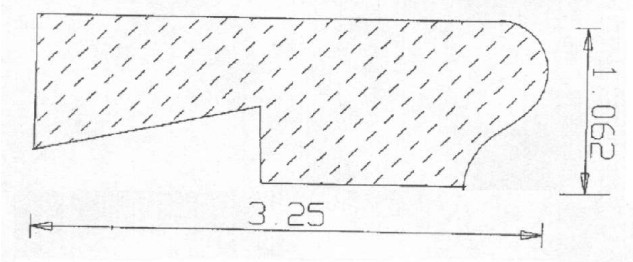
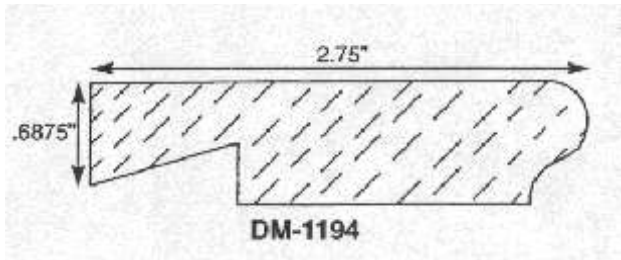
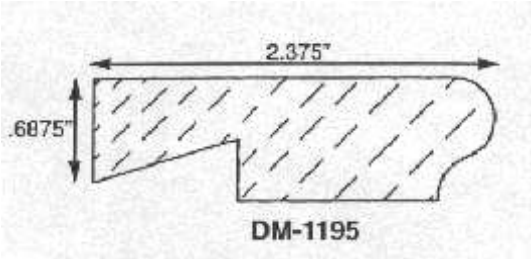
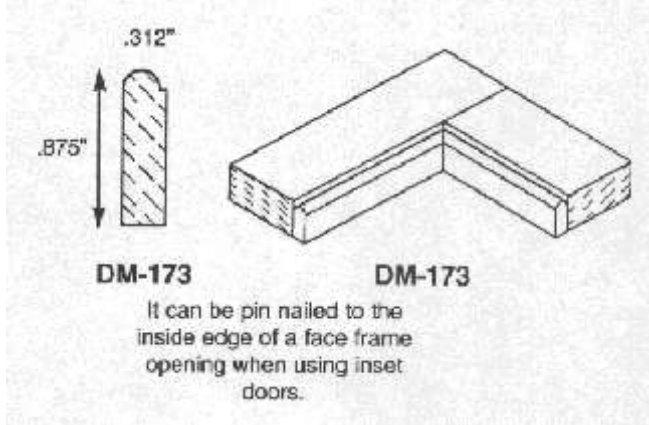
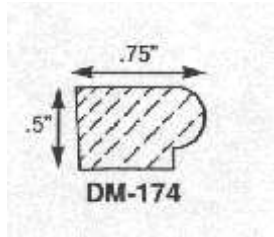


**DM-1500001**



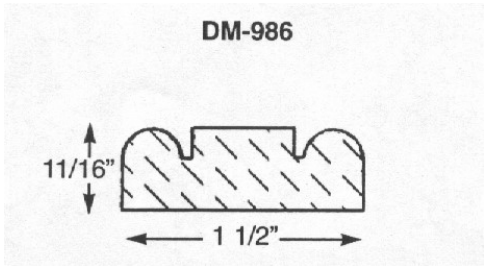
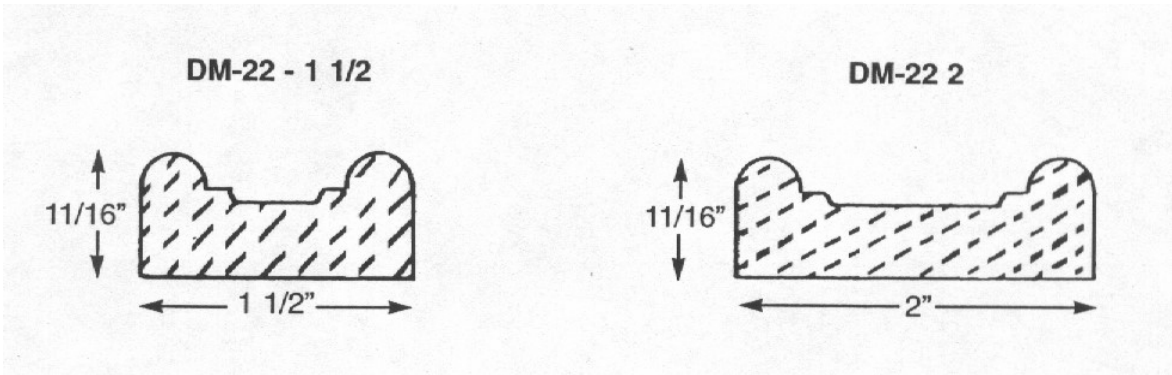
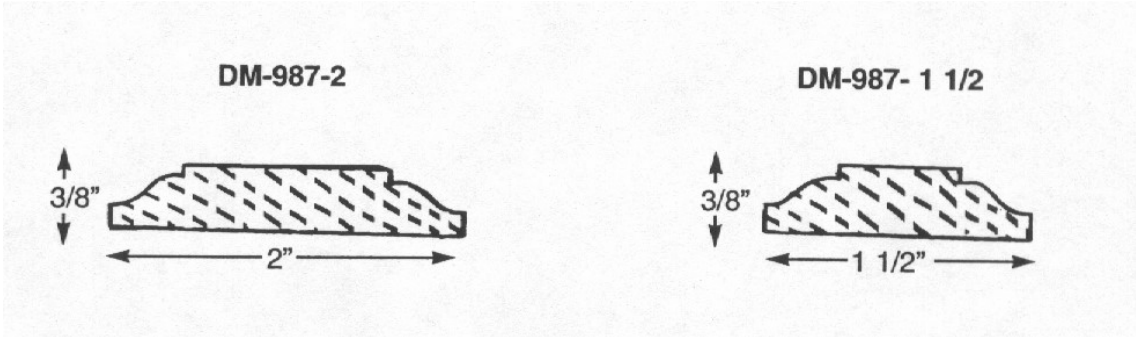


**Window Stoll**  
www.dannysmfg.com

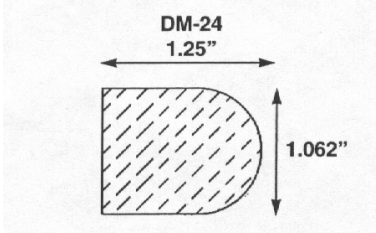
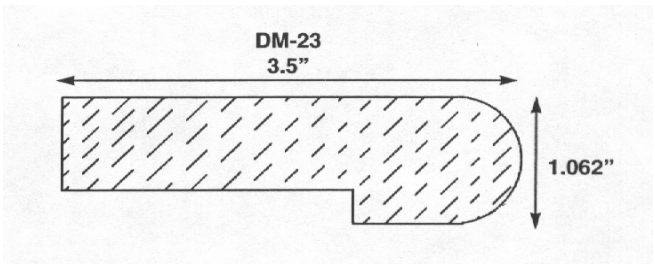
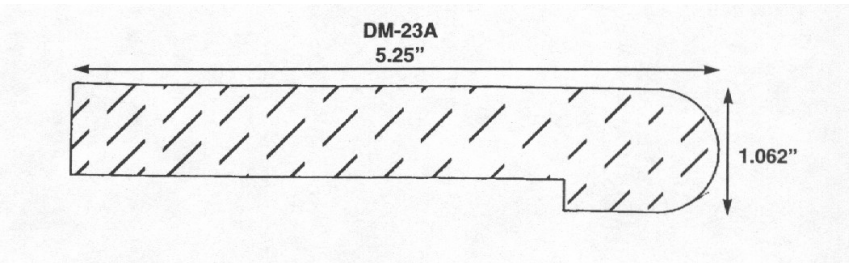




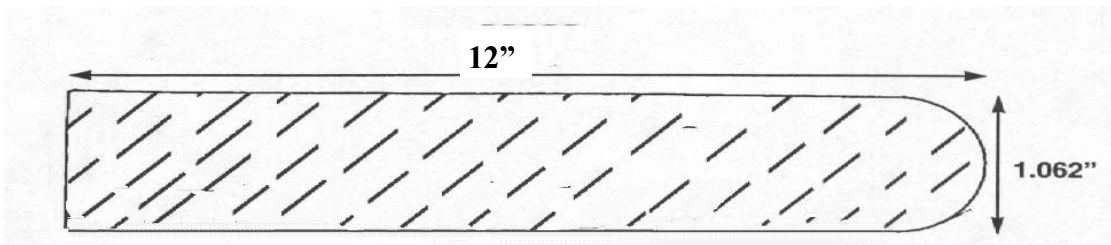
Mull  
www.dannysmfg.com



**Stair Landing & Nosing**  
www.dannysmfg.com

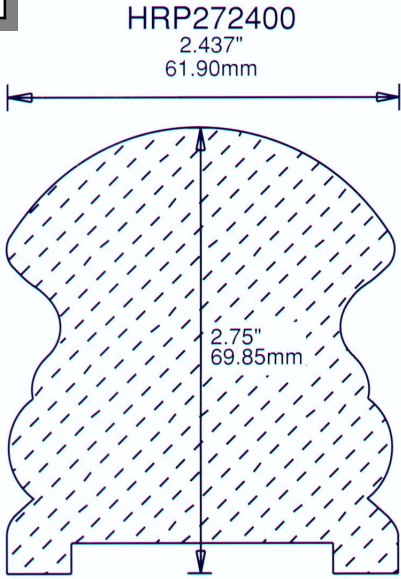
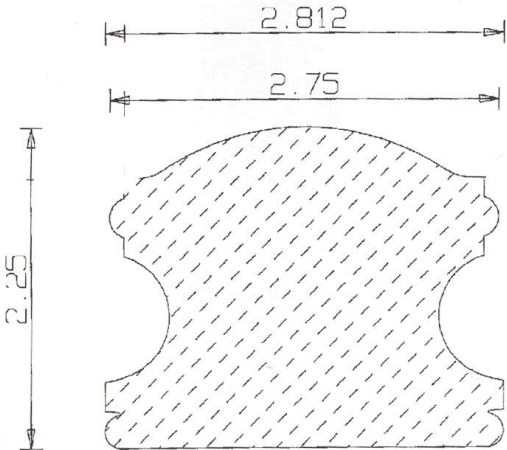


**DM-25 ,1.1/16 Step Landing**

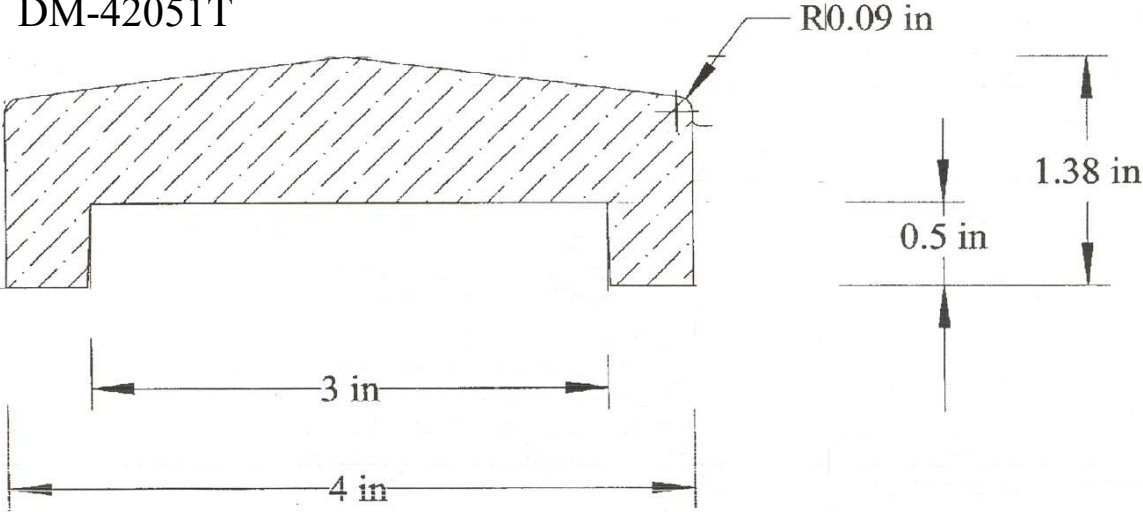


**Hand Rail.**  
www.dannysmfg.com

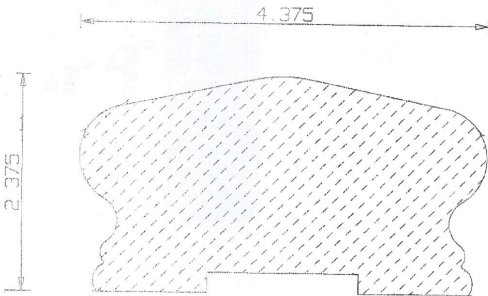
**DM-121931**



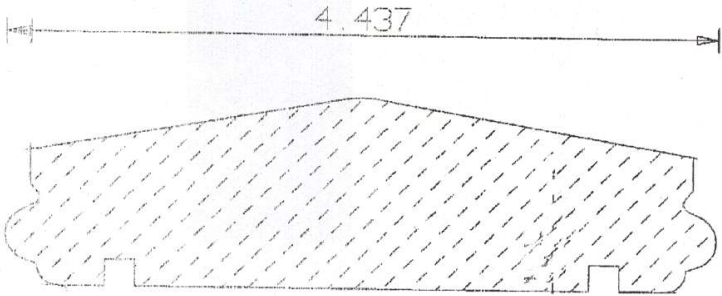
**DM-42051T**



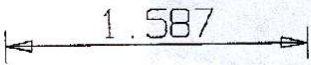
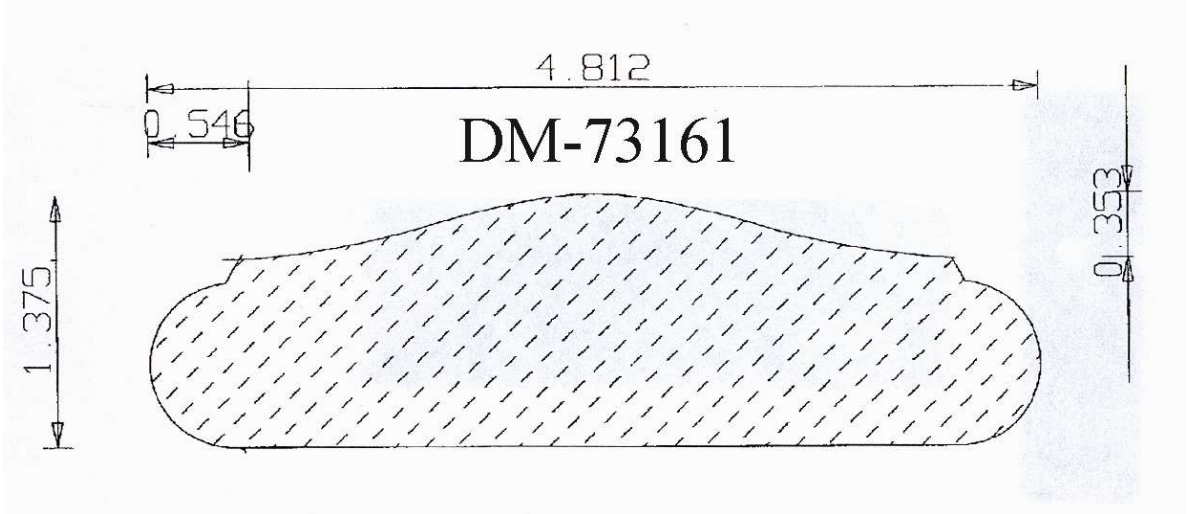
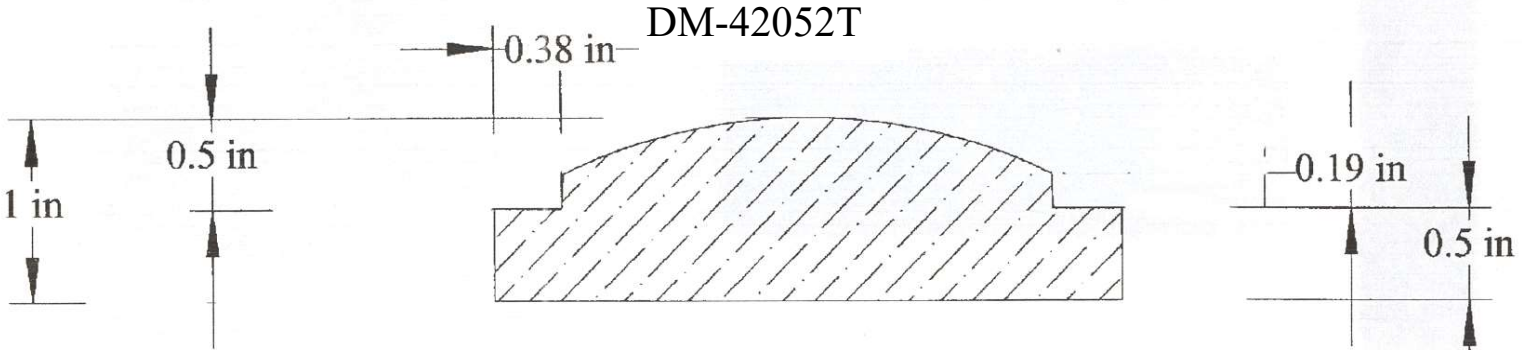
**DM-81742**



**DM-81741**

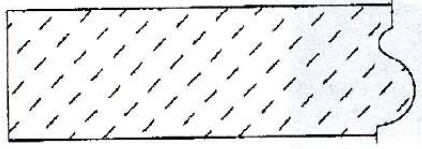
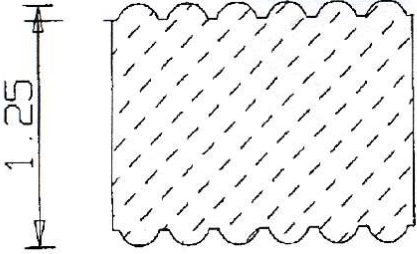


**Hand Rail.**  
www.dannysmfg.com



DM-52302

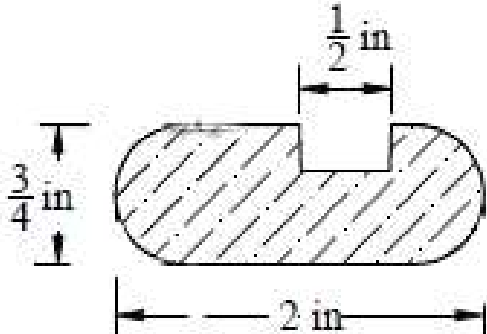
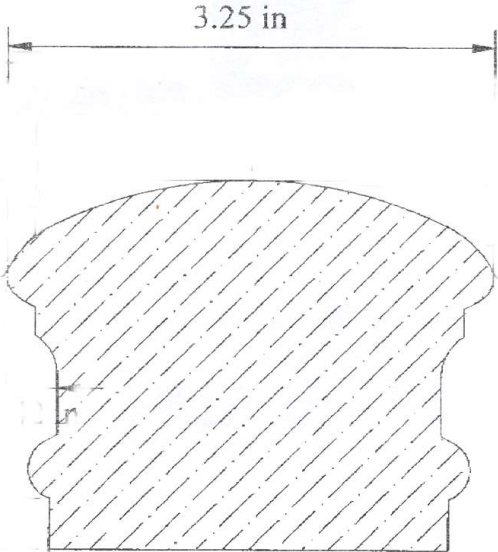
DM-73162



3/4

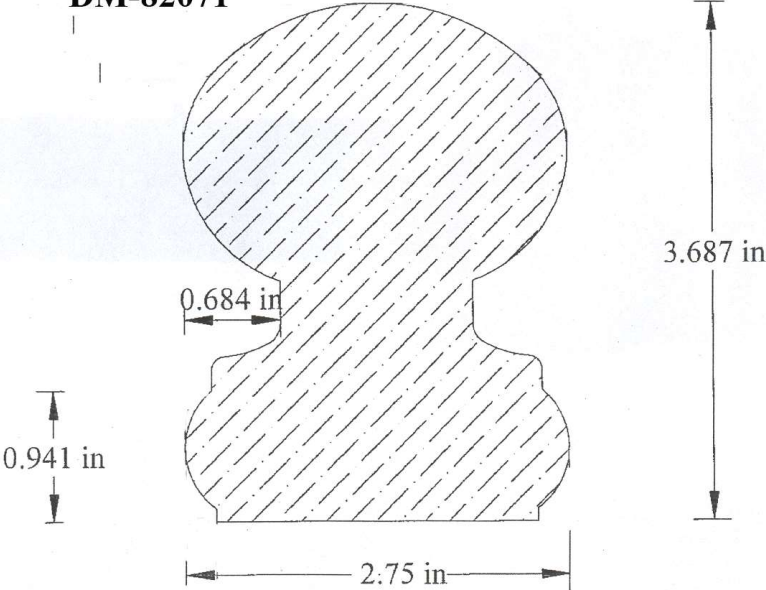
Hand Rail.  
www.dannysmfg.com

**DM-90481**



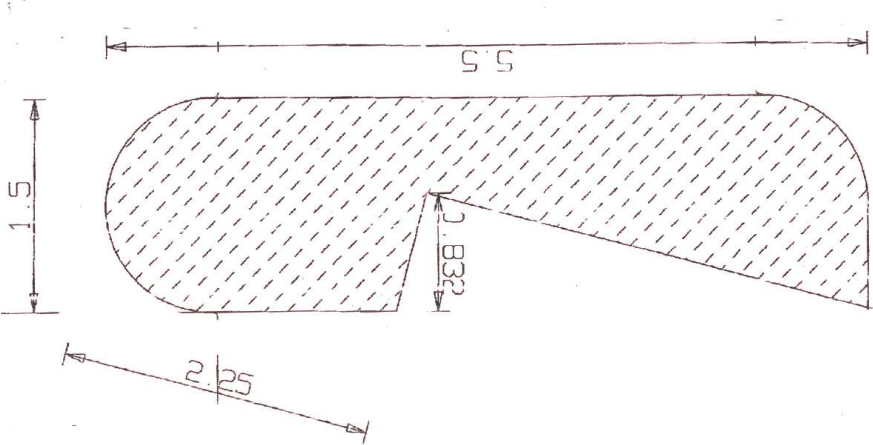
**DM-2021601**

**DM-82071**

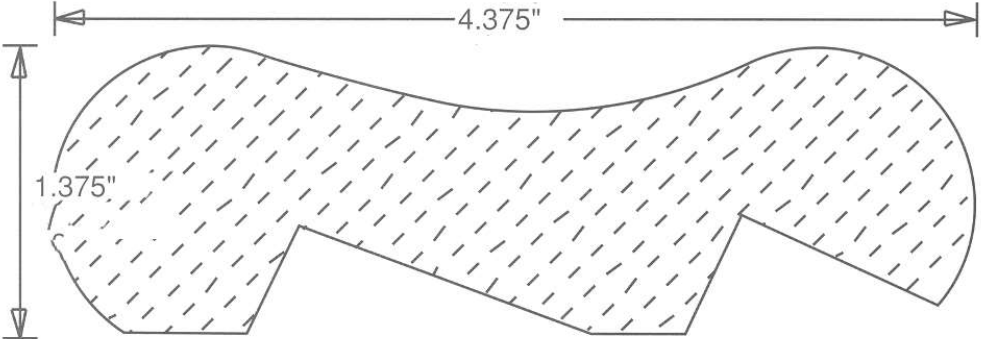


**Bar Rail**  
www.dannysmfg.com

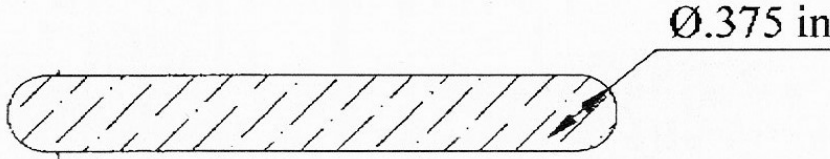
**DM-11941**



**DM-1343**



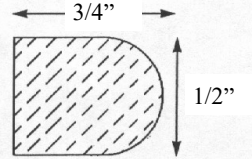
**DM-4101301**



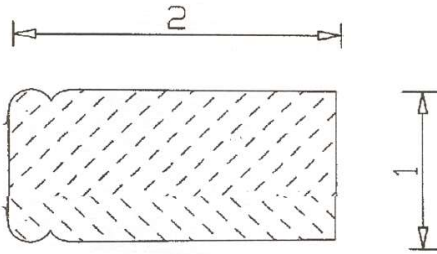


Window Shutter Parts  
www.dannysmfg.com

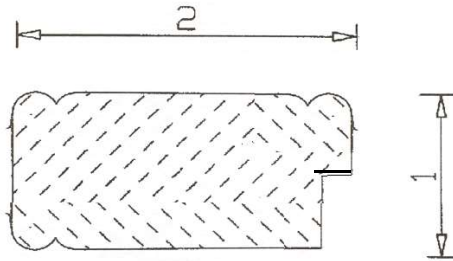
DM-25, 1/2" x .5/8"



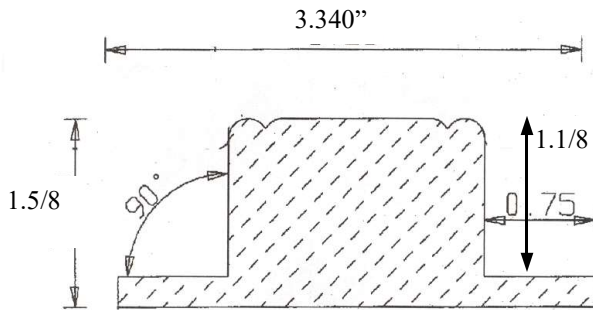
DM-10242



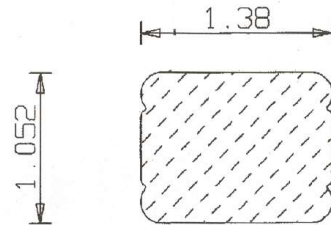
DM-10243



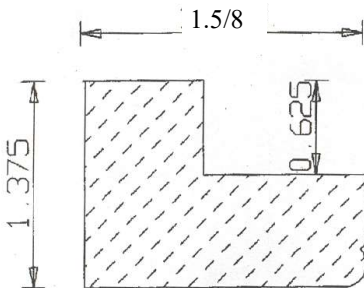
DM-102822



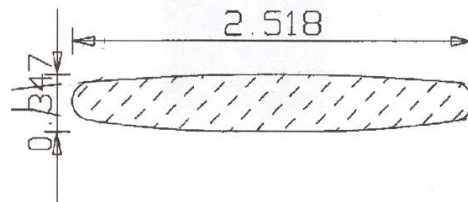
DM-102823



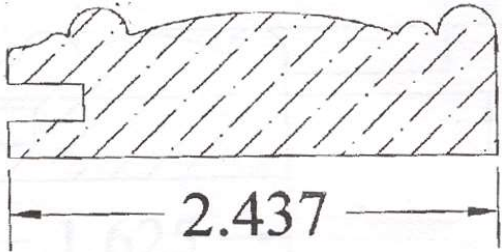
DM-102824



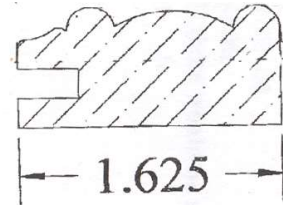
DM-102821



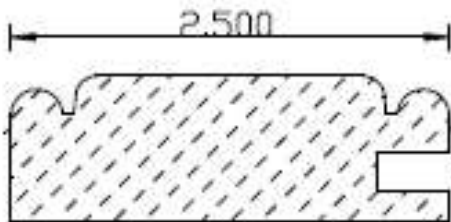
**DM-101451**  
**Miter 100**



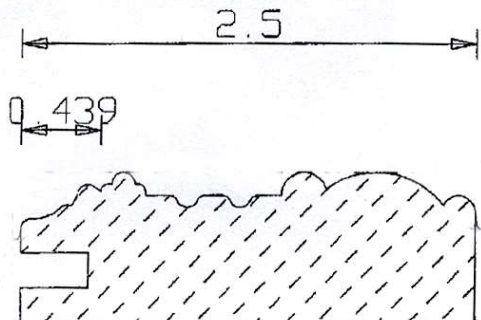
**DM-101452**  
**Miter 150**



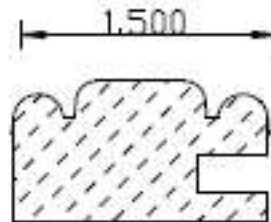
Miter-200, DM-35033



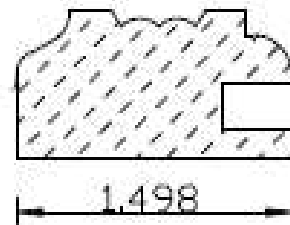
**DM-111663 Miter 300**



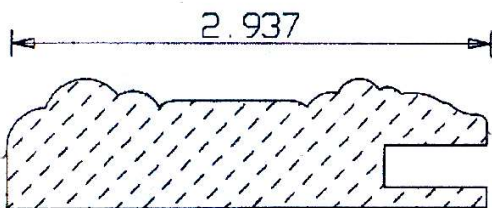
**DM-35034**  
**Miter 250**



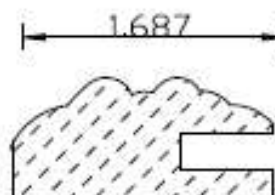
**DM-21032**  
**Miter 350**



**DM-11662**  
**Miter 400**

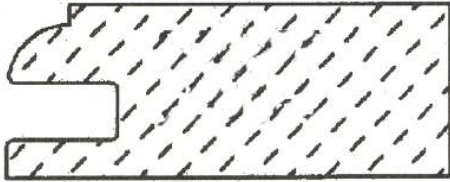


**DM-35032**  
**Miter 450**

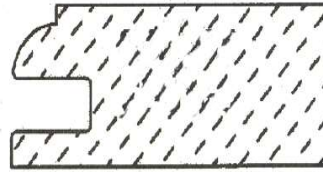


Stile & Rail Molding Mis.  
www.dannysmfg.com

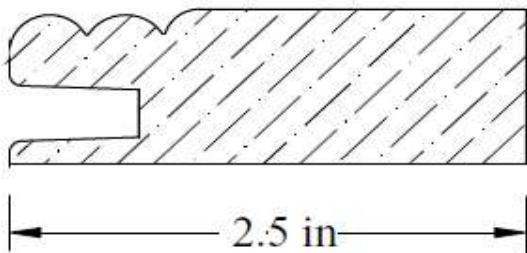
DM-00004, 2.1/4" Miter-500



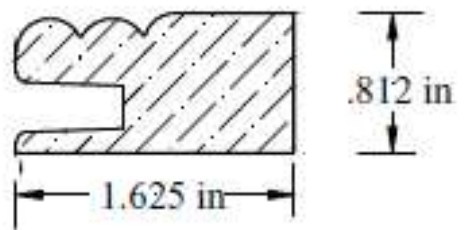
DM-00004, 1.625" Miter-550



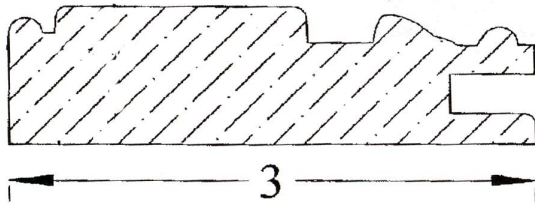
**DM-3166**  
**Miter 700**



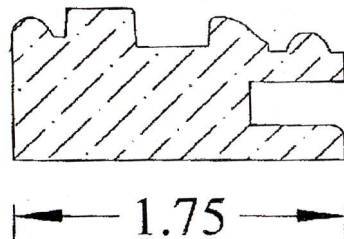
**DM-3166-2**  
**Miter 750**



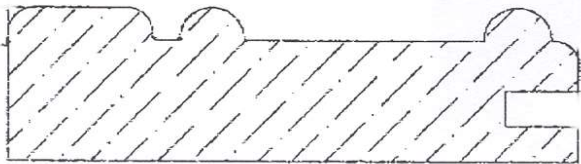
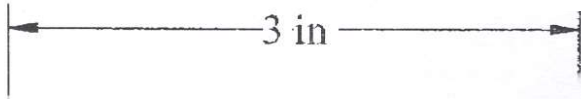
**DM-4563**  
**Miter 800**



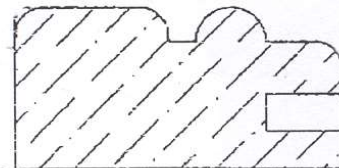
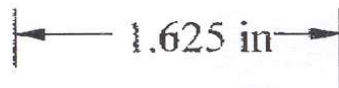
**DM-4564**  
**Miter 850**



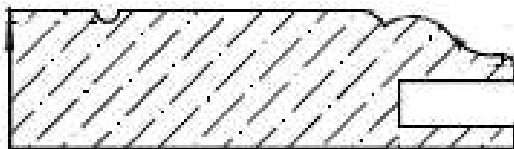
**DM-809101** MITER-900



**DM-809102** MITER-950



**DM-817101**  
**Miter1000**

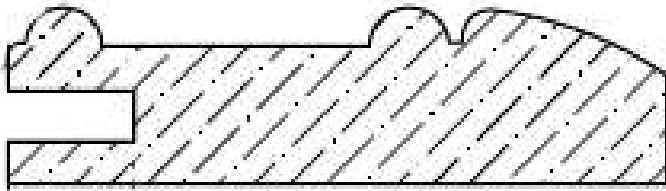


**DM-817101**  
**Miter 1050**



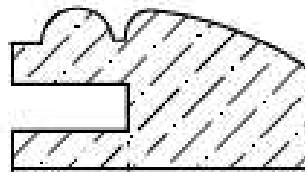
**DM-1203091**  
**Miter 1100**

3.25 in



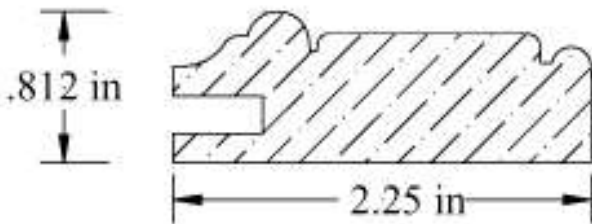
**DM-1203091-2**  
**Miter 1150**

1.625 in



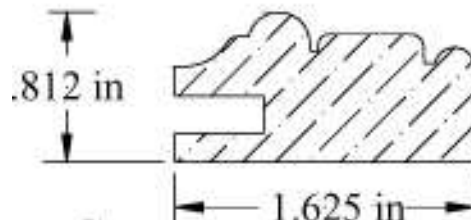
Miter-1200

DM-1119101



Miter-1250

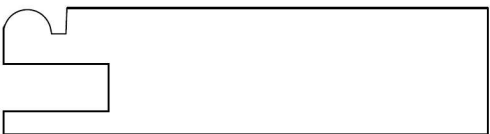
DM-1119102



Miter 1300

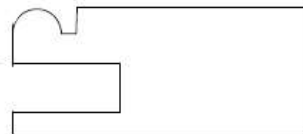
DM-0124071

2.5 in

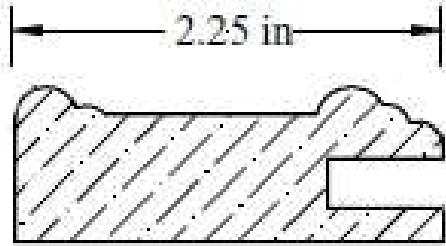


**DM-1350**

1.5 in



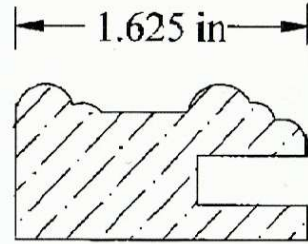
### DM-102011



Miter-1400

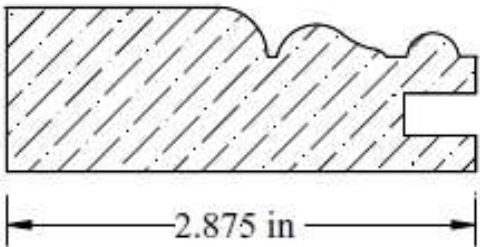
### DM-120111

Miter-1450

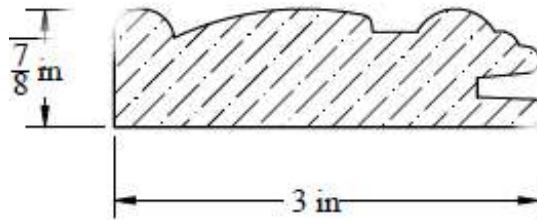


Miter-1450

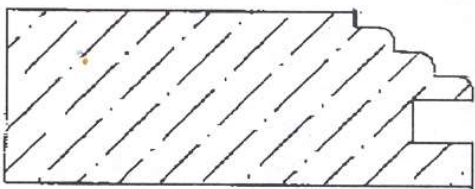
### DM-11012



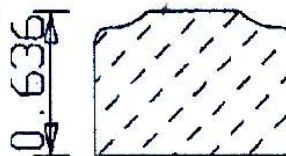
### DM-6041901



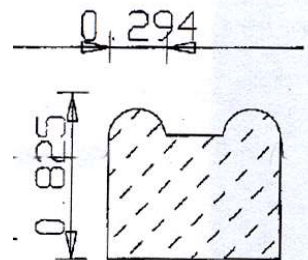
### DM-1109101



### DM-111611S



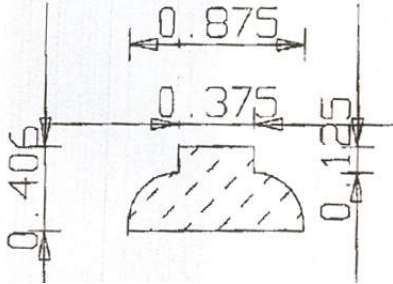
### DM-111664T



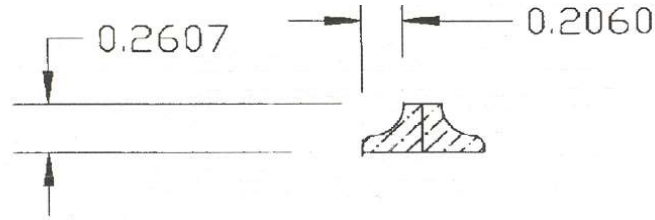


Stile & Rail Molding Mis.  
www.dannysmfg.com

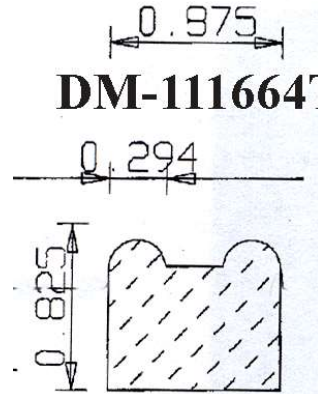
DM-3155



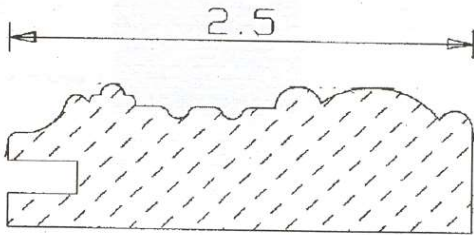
DM-41904T1



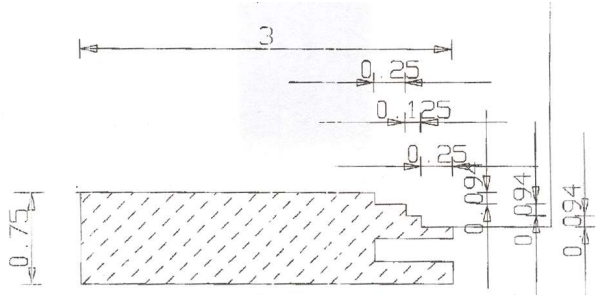
DM-111664T



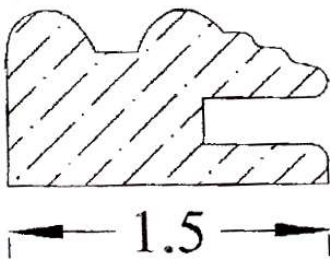
DM-122621



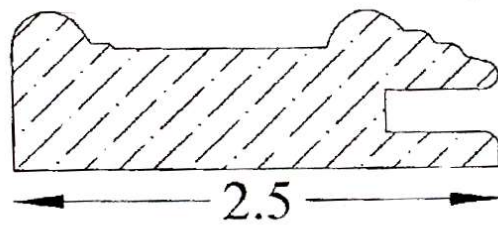
DM-10224



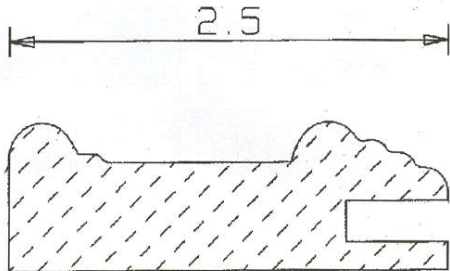
DM-4561T



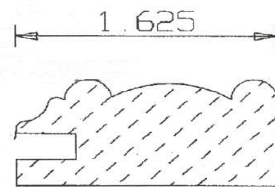
DM-4562T



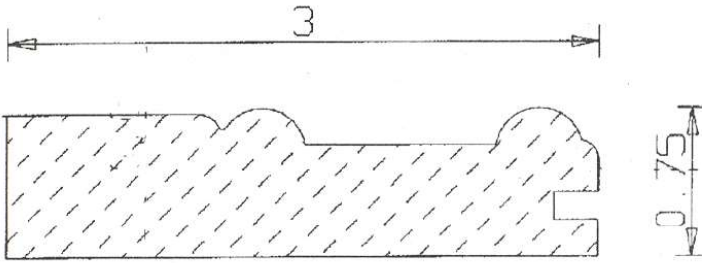
DM-21031



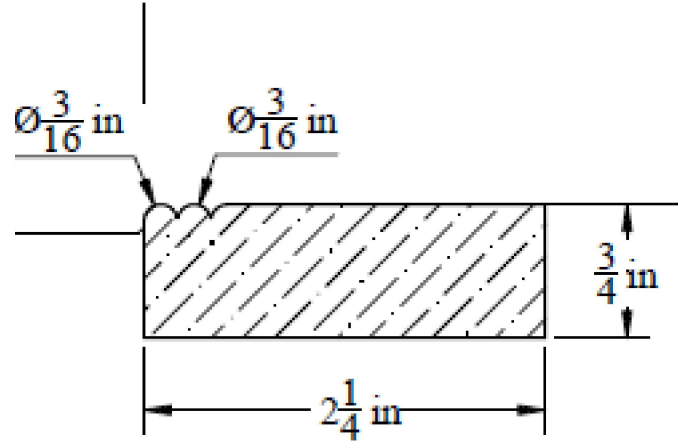
DM-122622



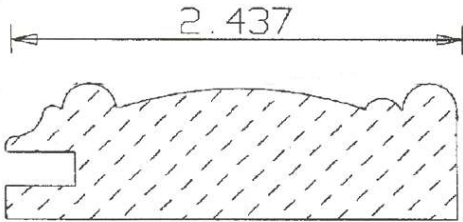
DM-12931



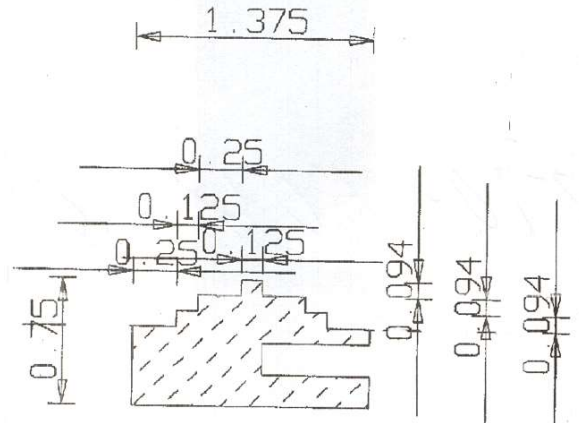
10291501T



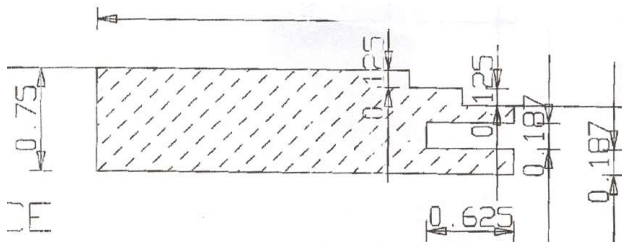
DM-24301 Miter-100



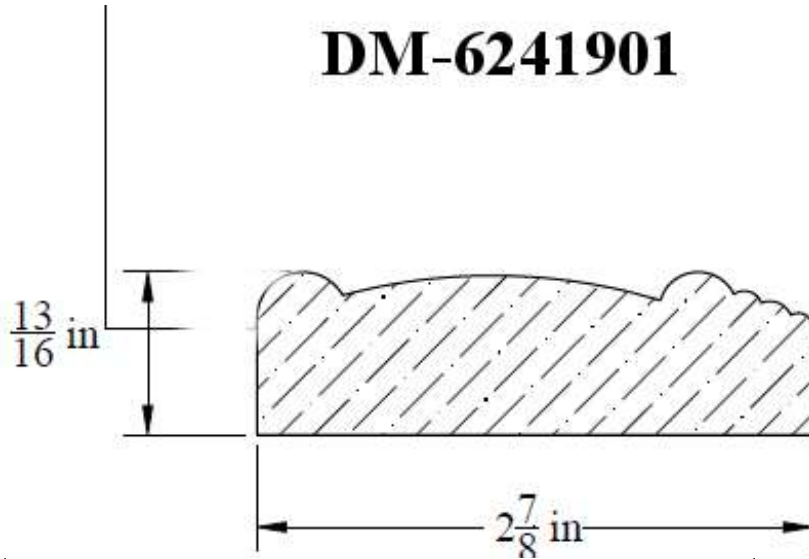
DM-10225



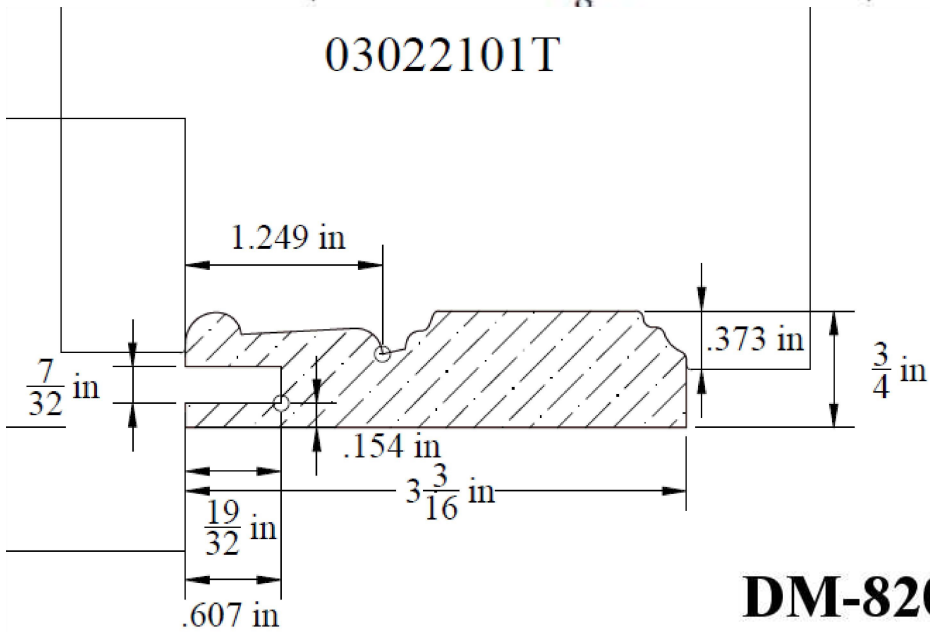
DM-10114



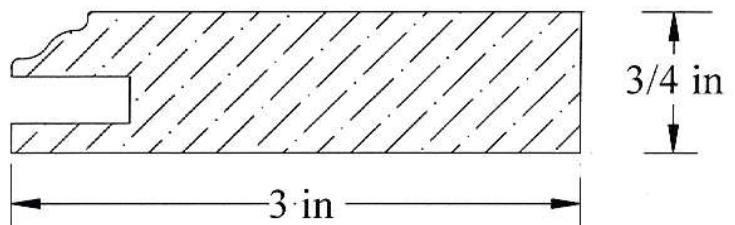
### DM-6241901



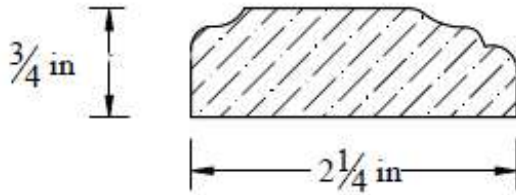
03022101T



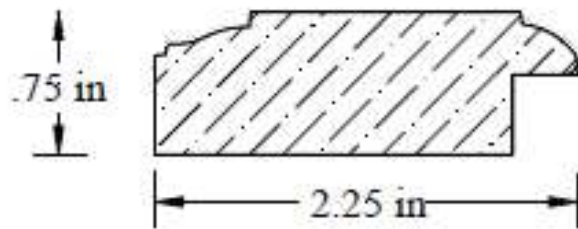
### DM-8201401



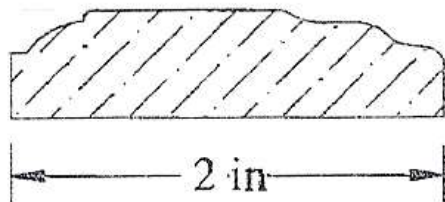
**DM-12041501**



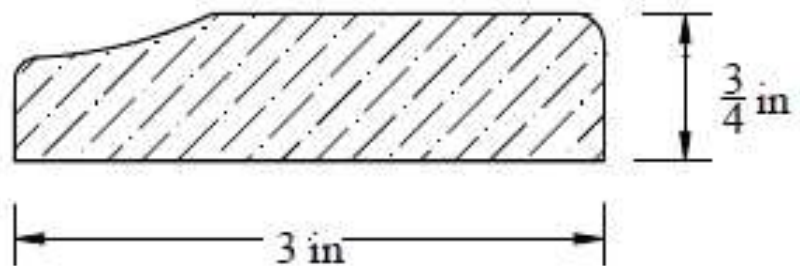
**DM-1061501**



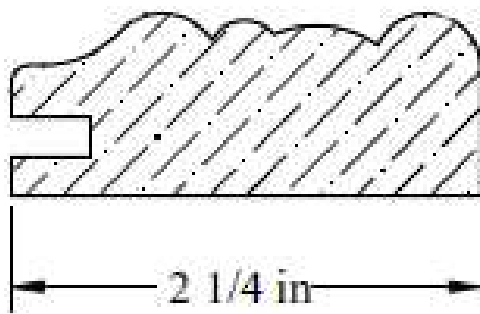
**DM-2071401**



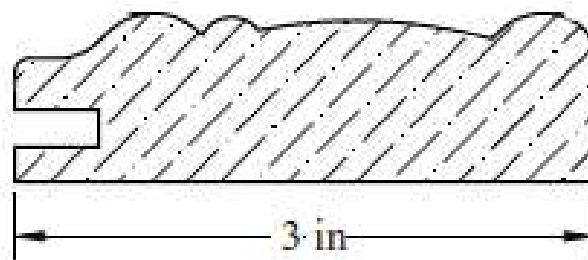
**DM-2081602**



**DM-11051301**

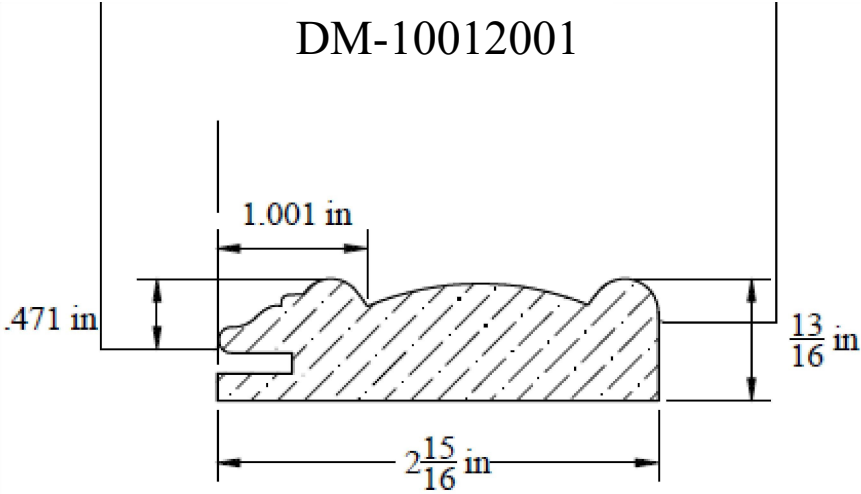


**DM-11021302**

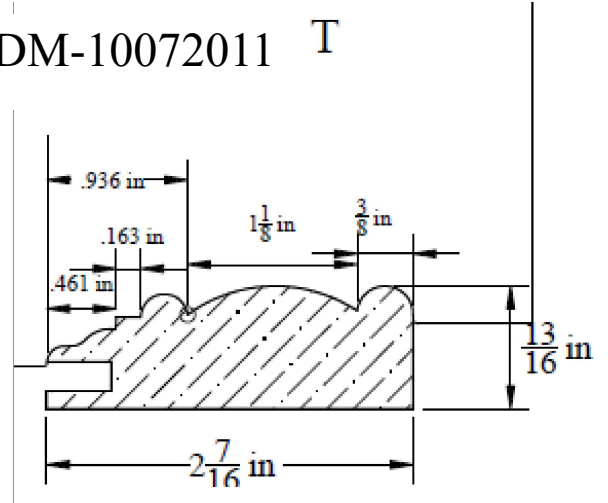


Stile & Rail Molding Mis.  
www.dannysmfg.com

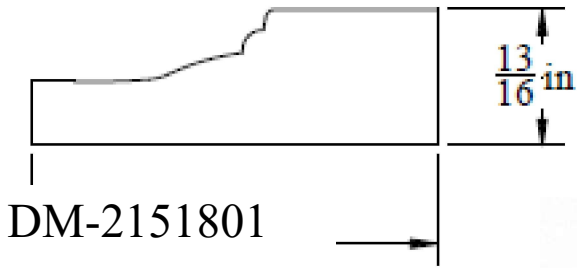
DM-10012001



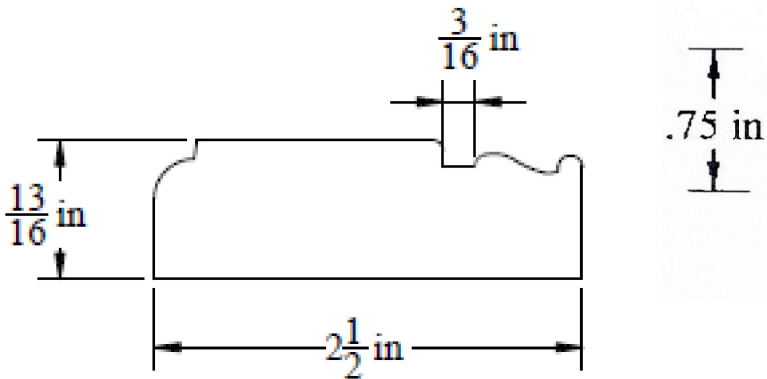
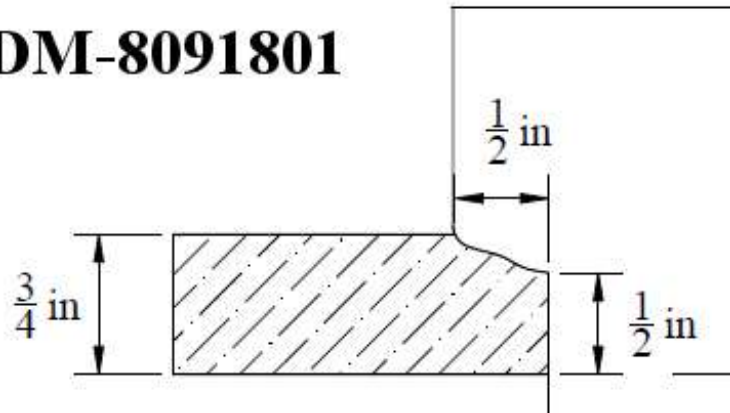
DM-10072011 T



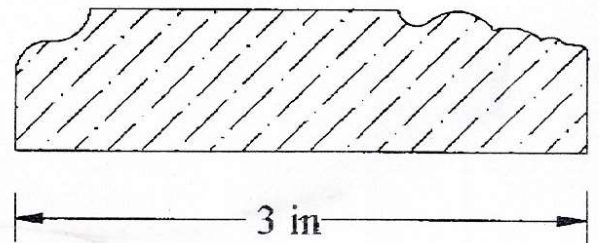
DM-2151801



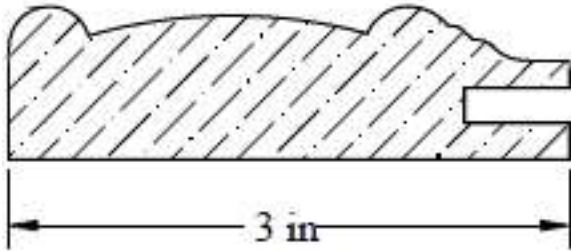
DM-8091801



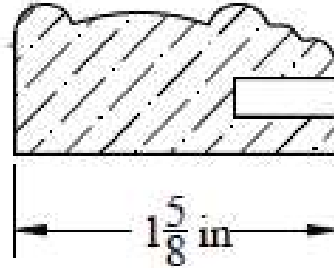
DM-1311301



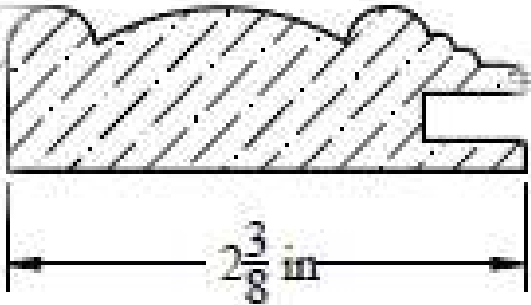
## DM-8191601



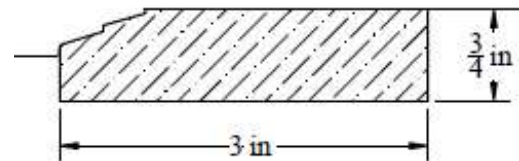
## DM-8191602



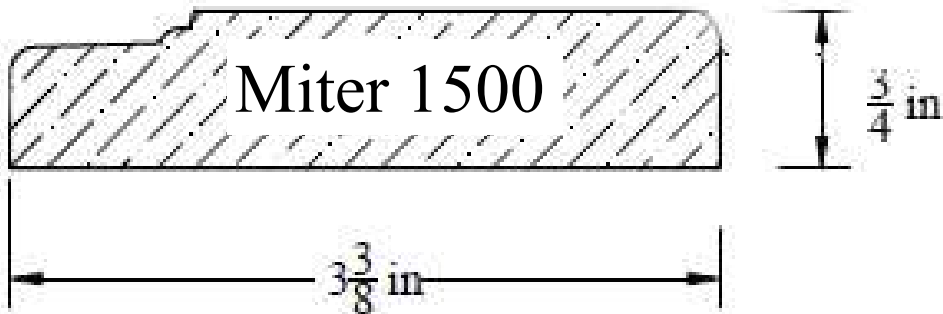
## DM-02141701



## DM-06261701



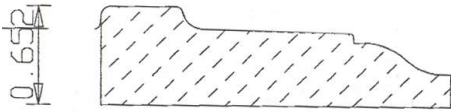
## DM-2081601



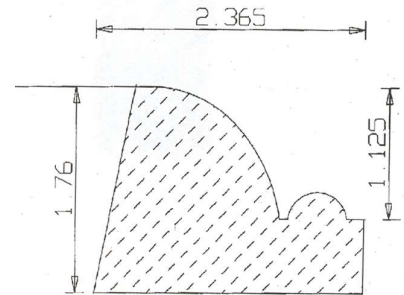


Special Order Molding Mis.  
www.dannysmfg.com

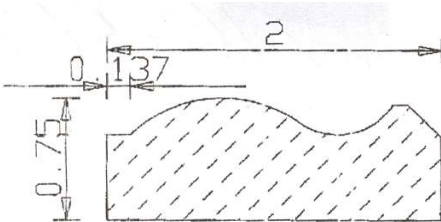
DM-346



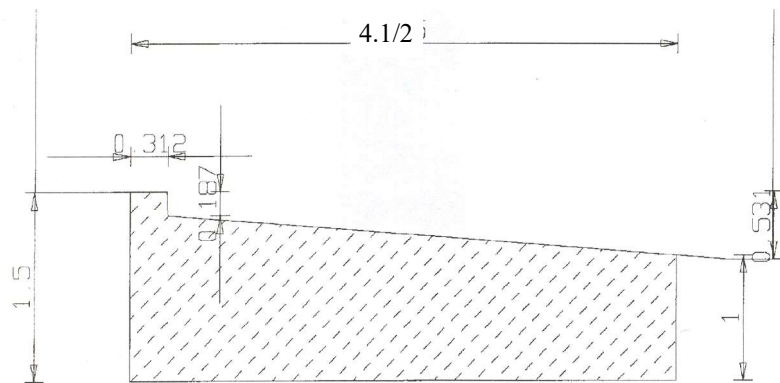
DM-81833



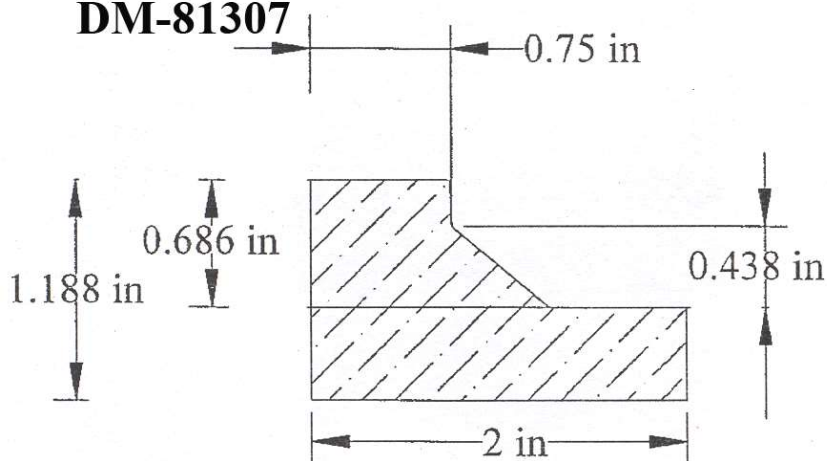
DM-1154



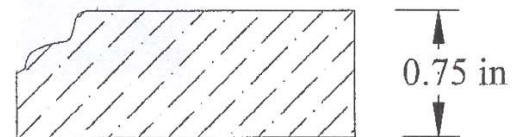
DM-9233



DM-81307

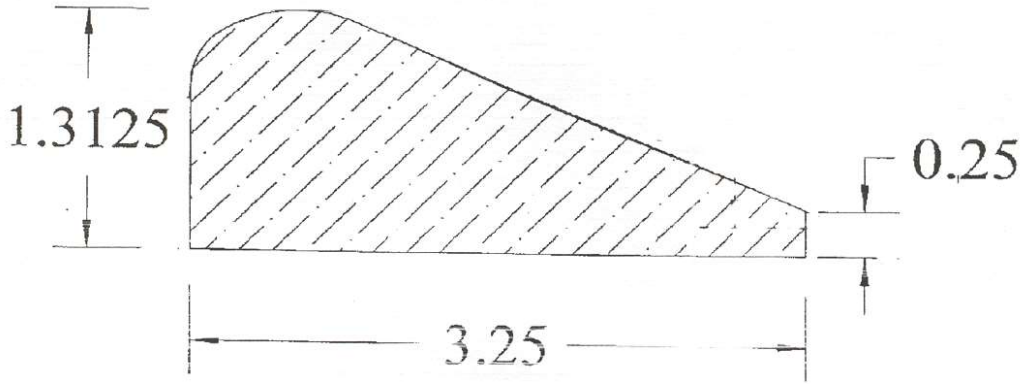


DM-10271



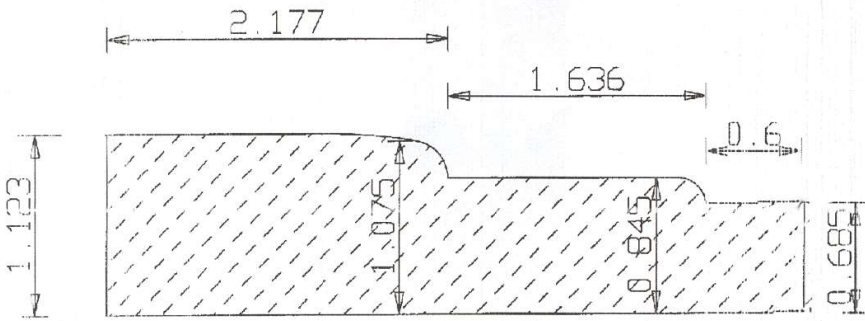
Special Order Molding Mis.  
[www.dannysmfg.com](http://www.dannysmfg.com)

DM-62951T



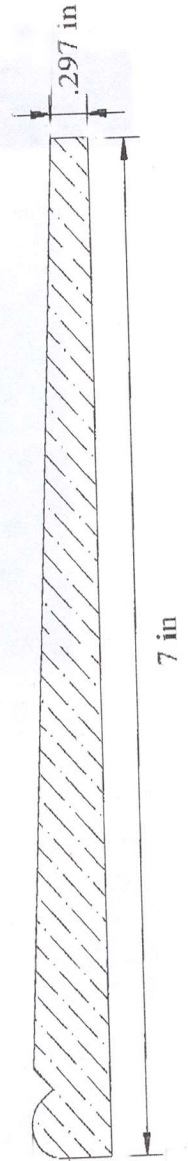
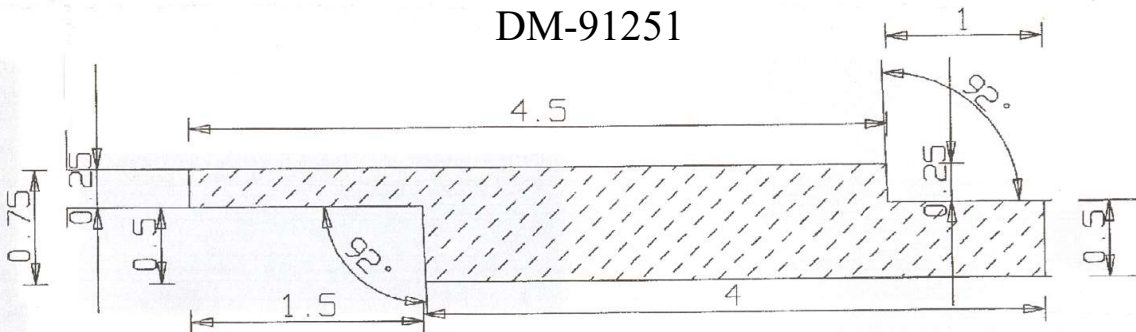
4.413

DM-7651



5.5

DM-91251

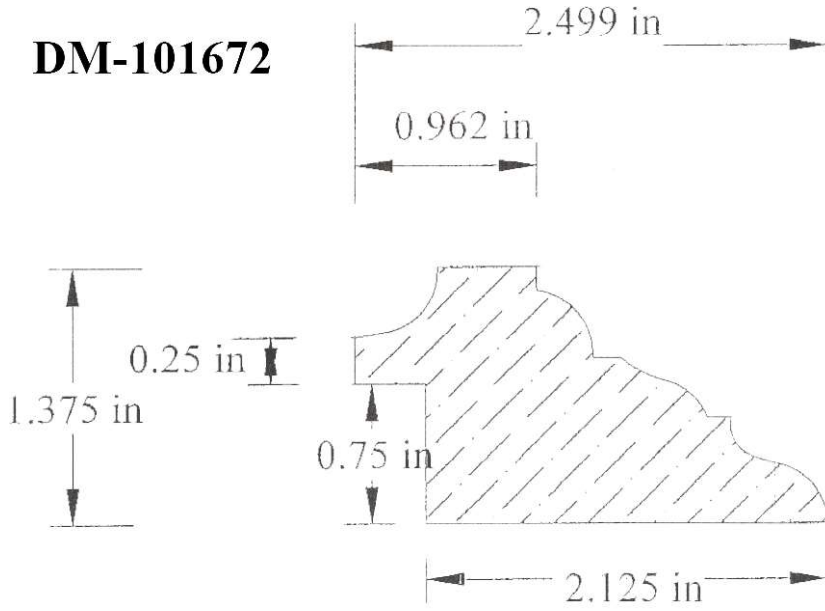


DM-724091

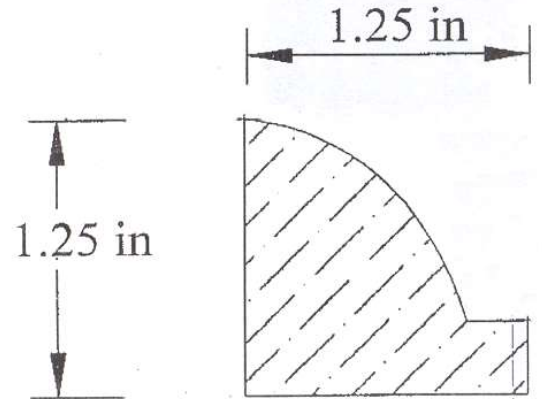
0.625 in

Special Order Molding Mis.  
www.dannysmfg.com

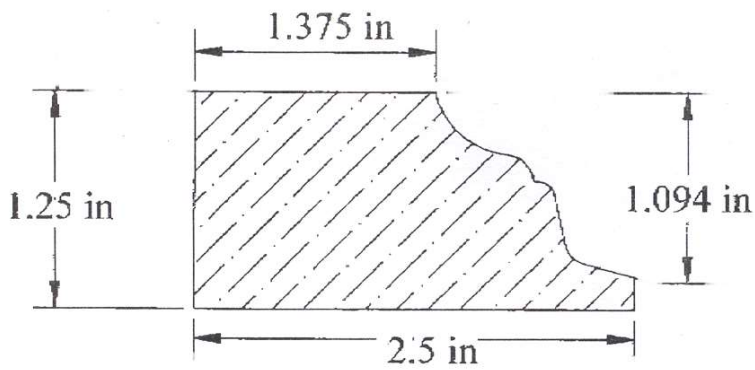
**DM-101672**



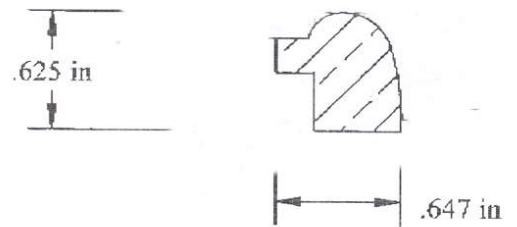
**DM-101671**



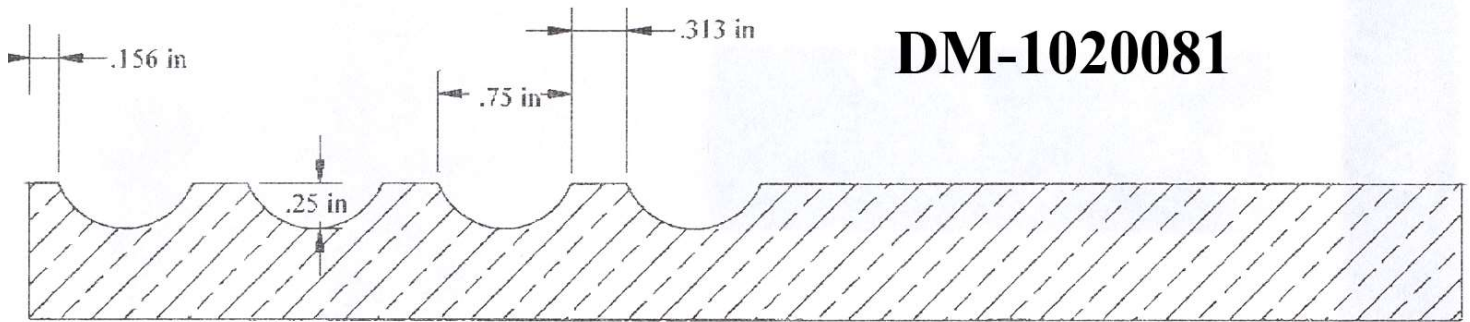
**DM-120709**



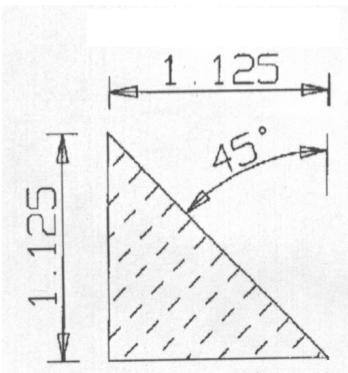
**DM-311091**



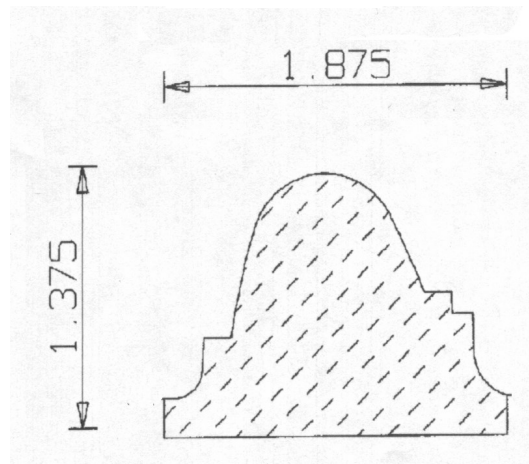
Special Order Molding Mis.  
www.dannysmfg.com



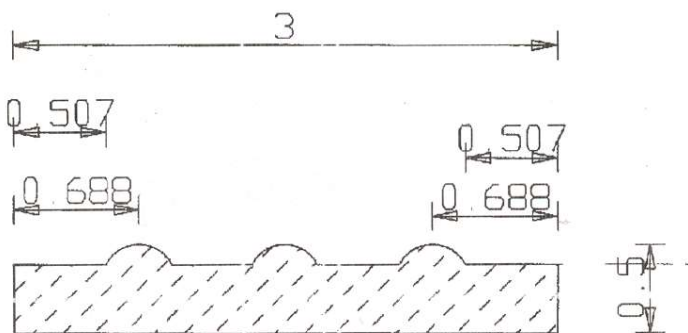
DM-996 Chamfer



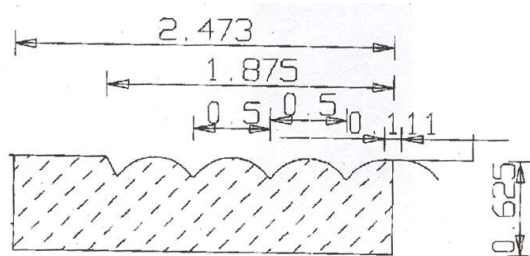
DM-1271



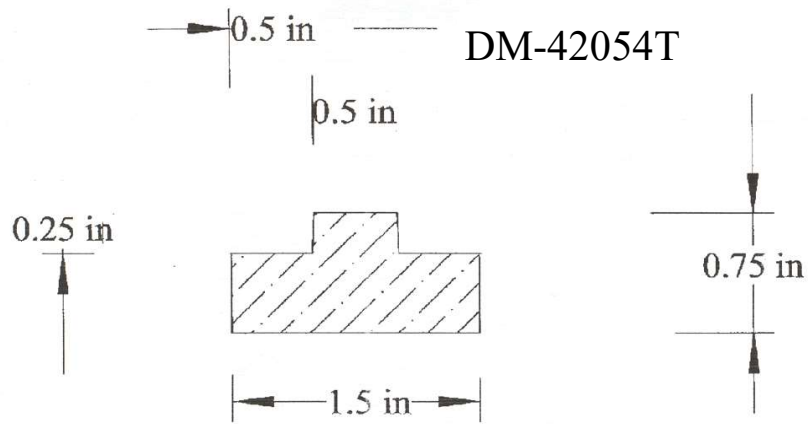
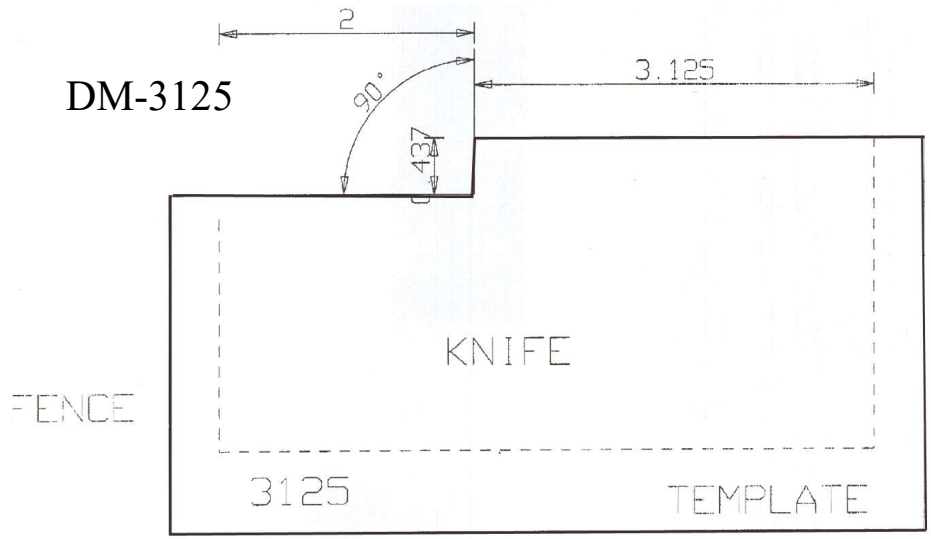
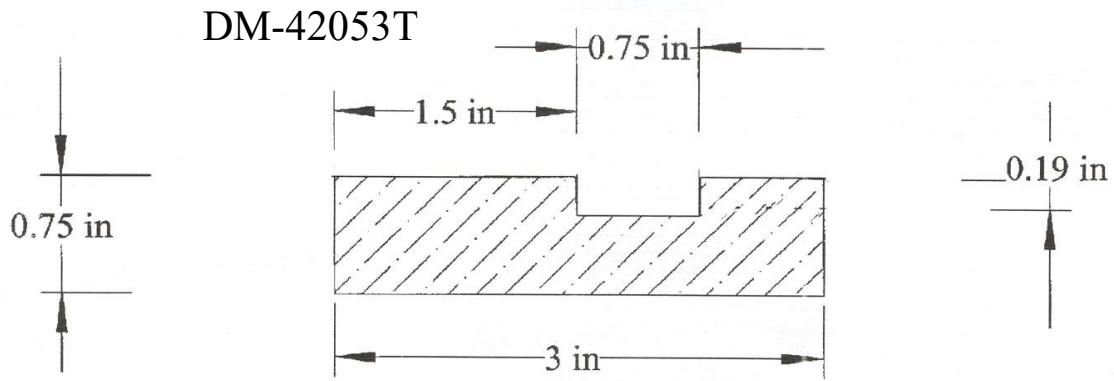
DM-92941



DM-6284



**Special Order Molding Mis.**  
www.dannysmfg.com

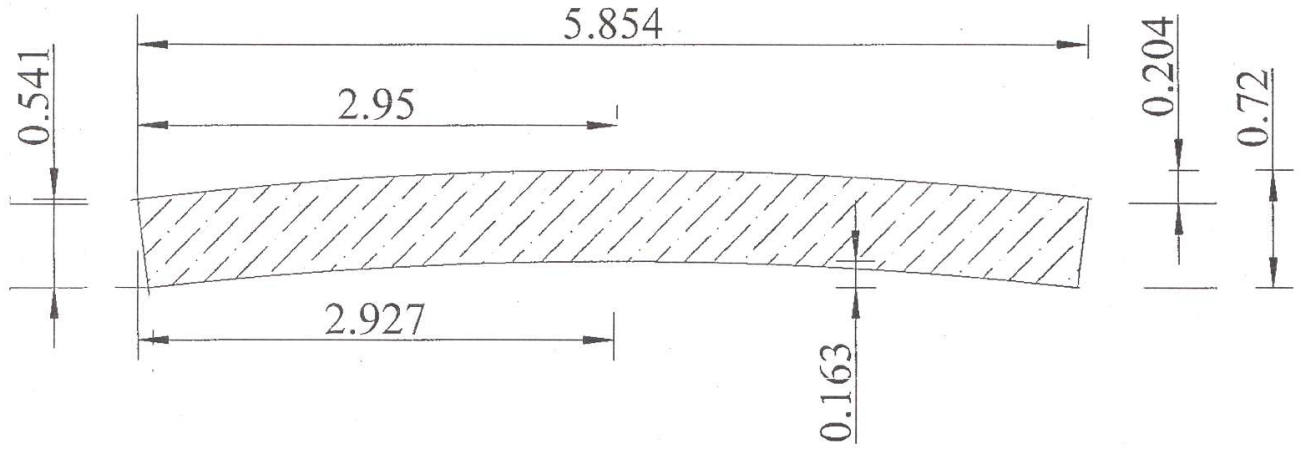


11571T

Center Panel radius door way

48" Raduis

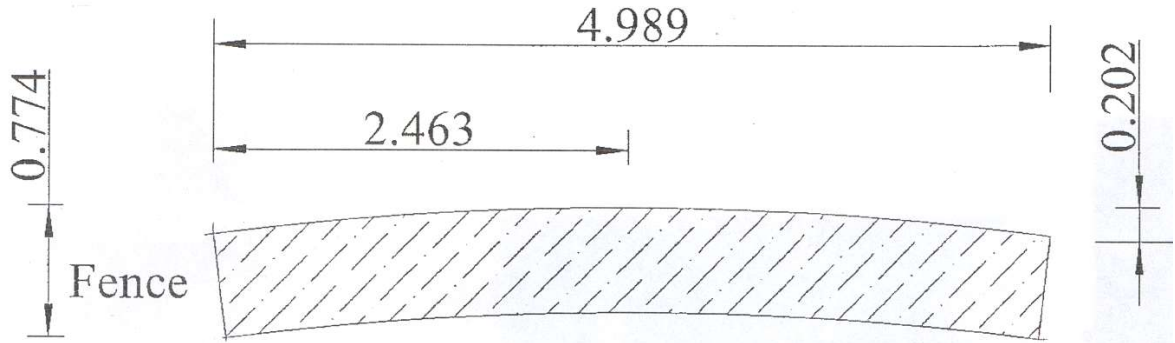
11571S



11571B

**DM-6481**

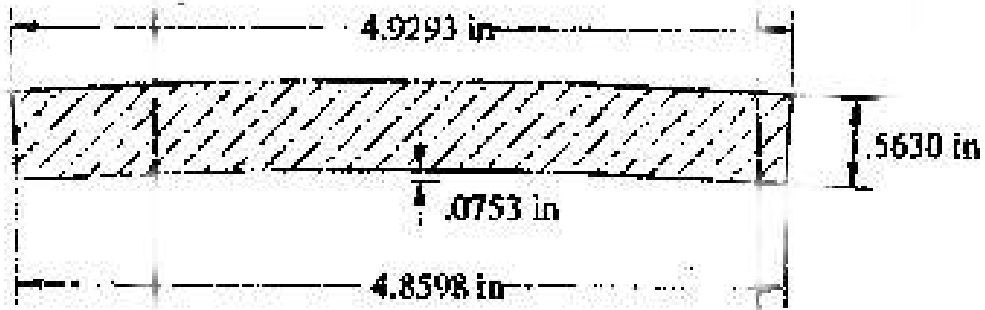
36" Raduis



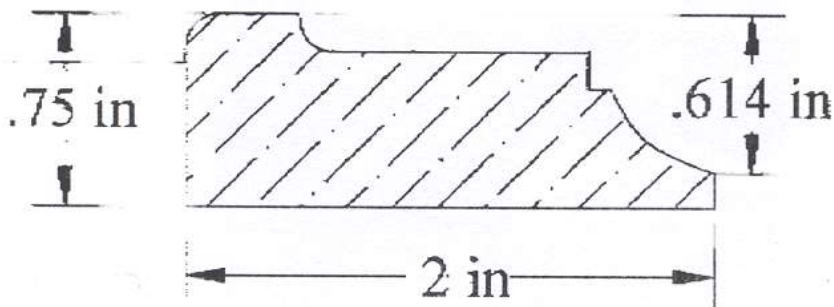


Special Order Molding Mis.  
www.dannysmfg.com

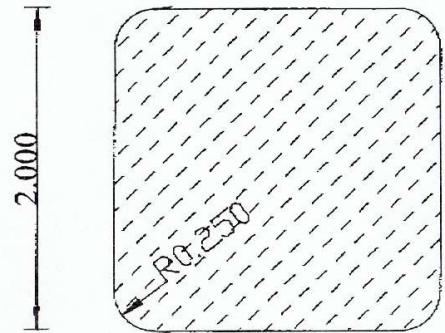
## DM-11071901 Peach State



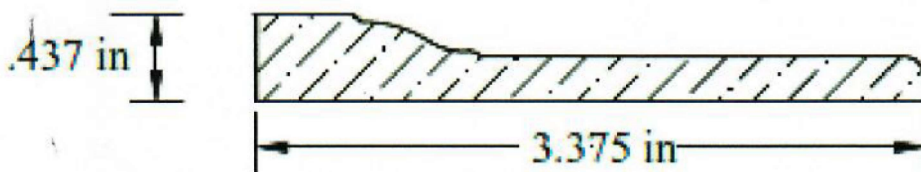
## DM-930105



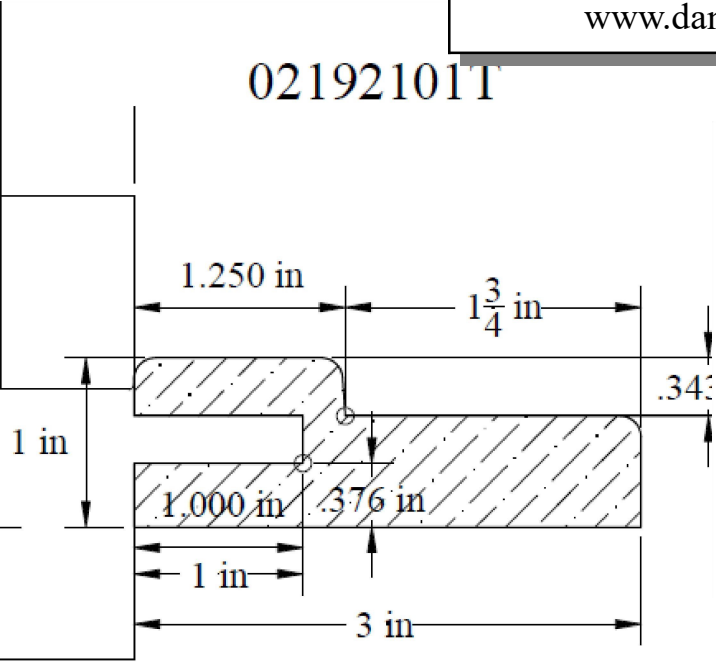
## DM-5031201



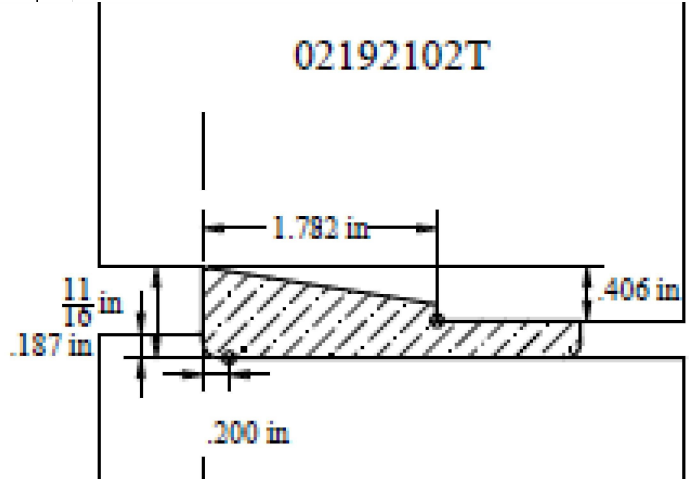
## DM-7221301



02192101T

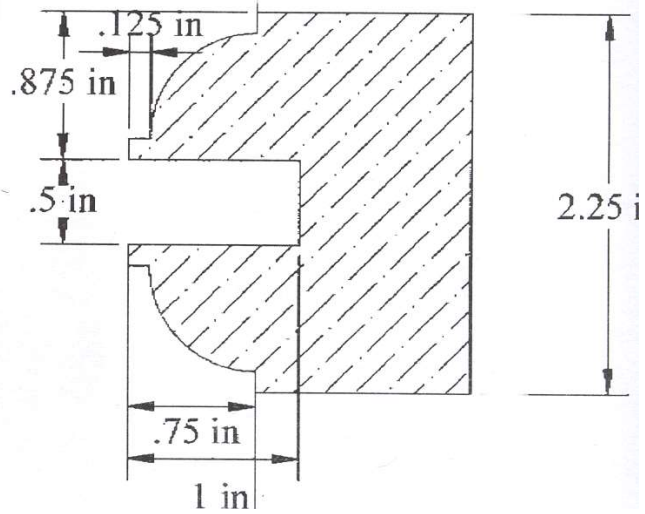
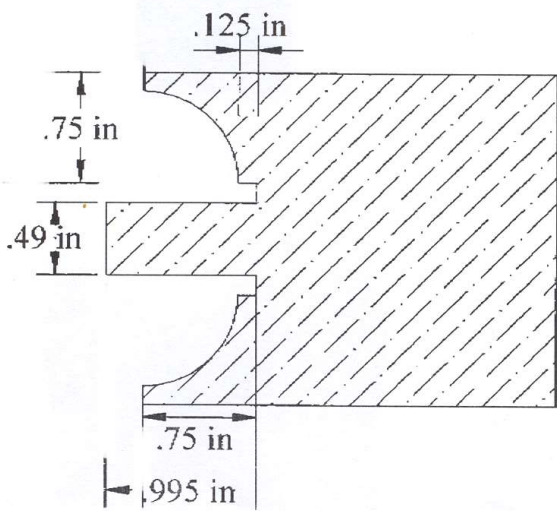


02192102T

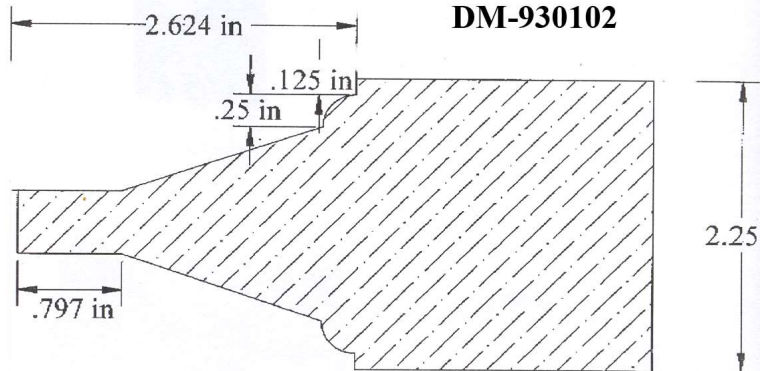


DM-930103

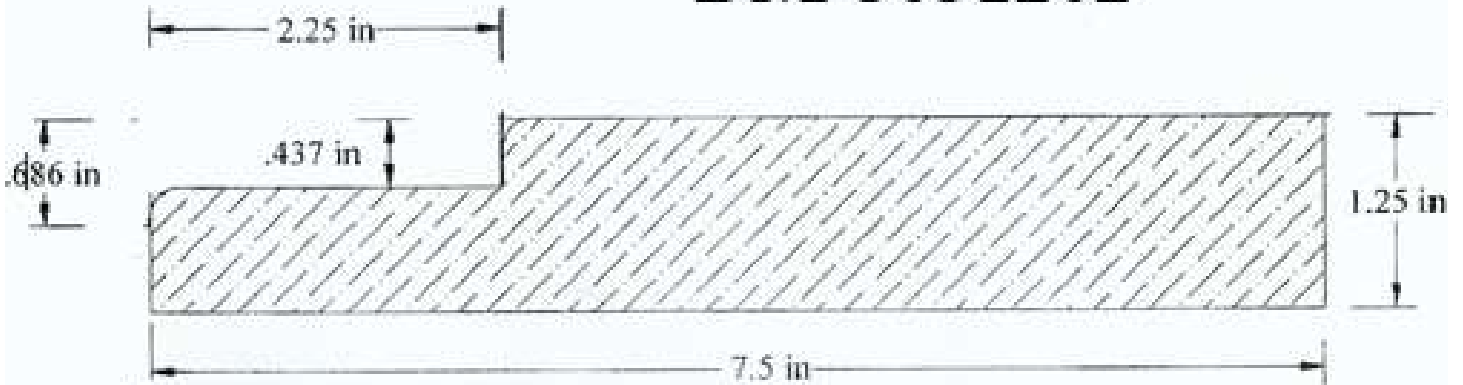
DM-930103-2R



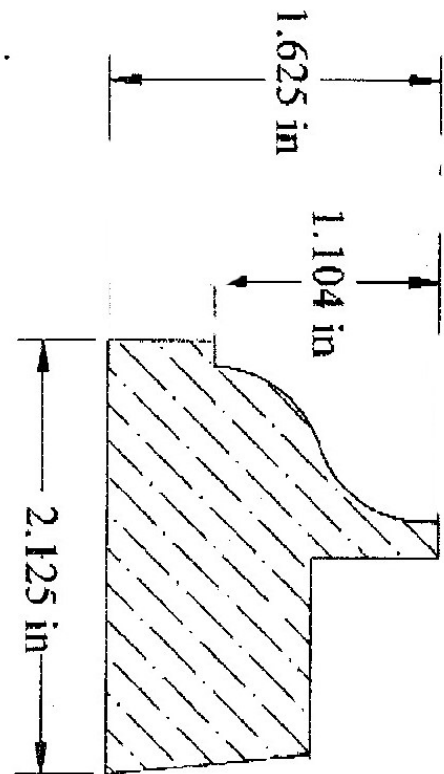
DM-930102



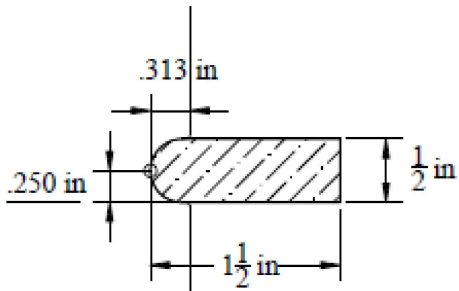
## DM-5031202



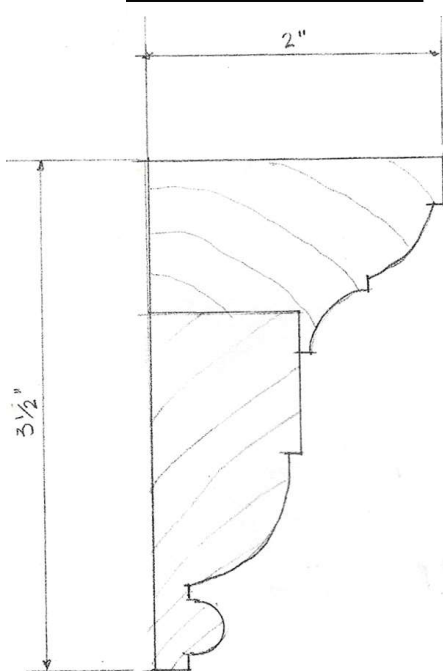
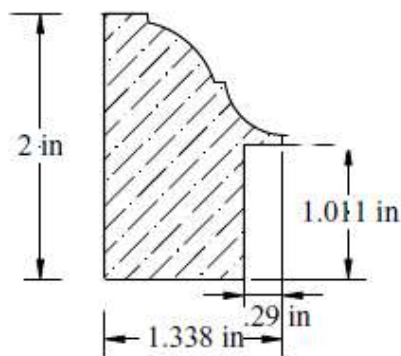
## DM-7121301



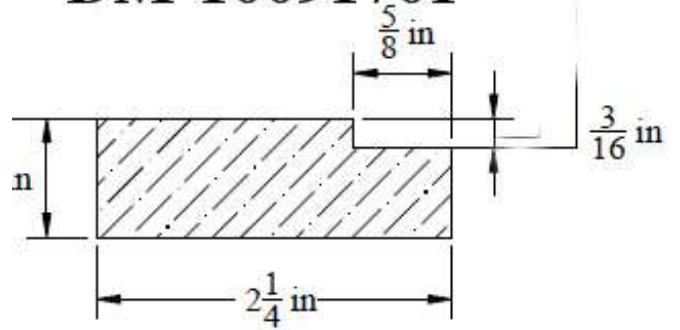
09012101R



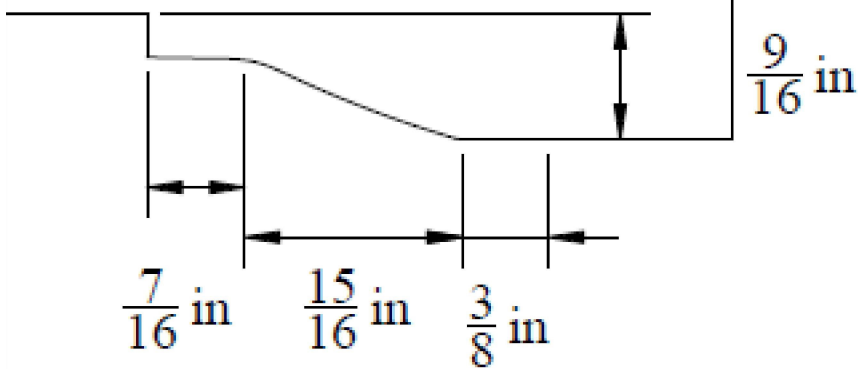
## DM-6181302



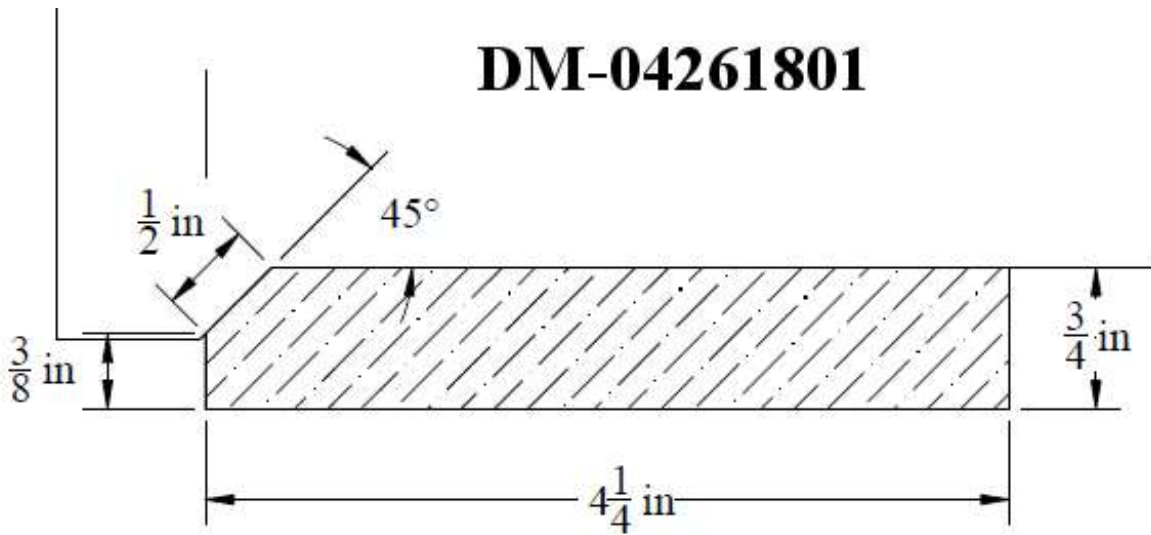
**DM-10091701**



**DM-07171901**



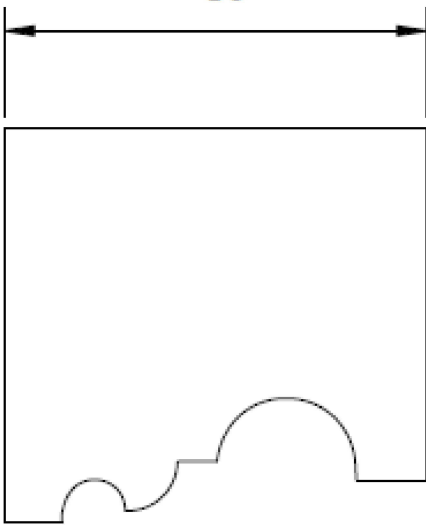
**DM-04261801**



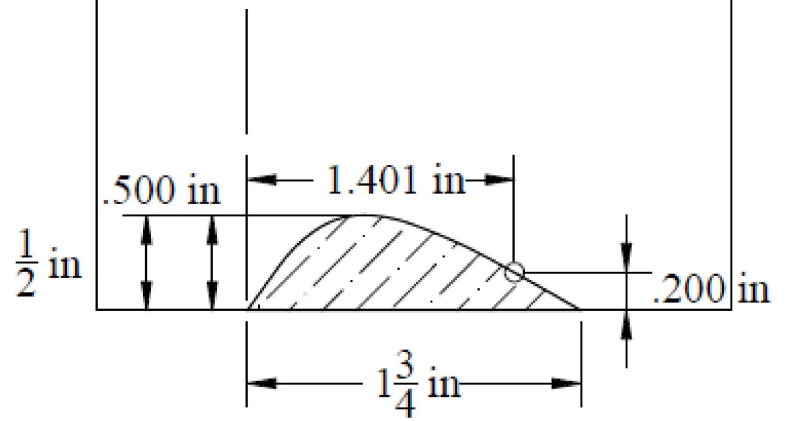
Special Order Molding Mis.  
www.dannysmfg.com

ge Molding

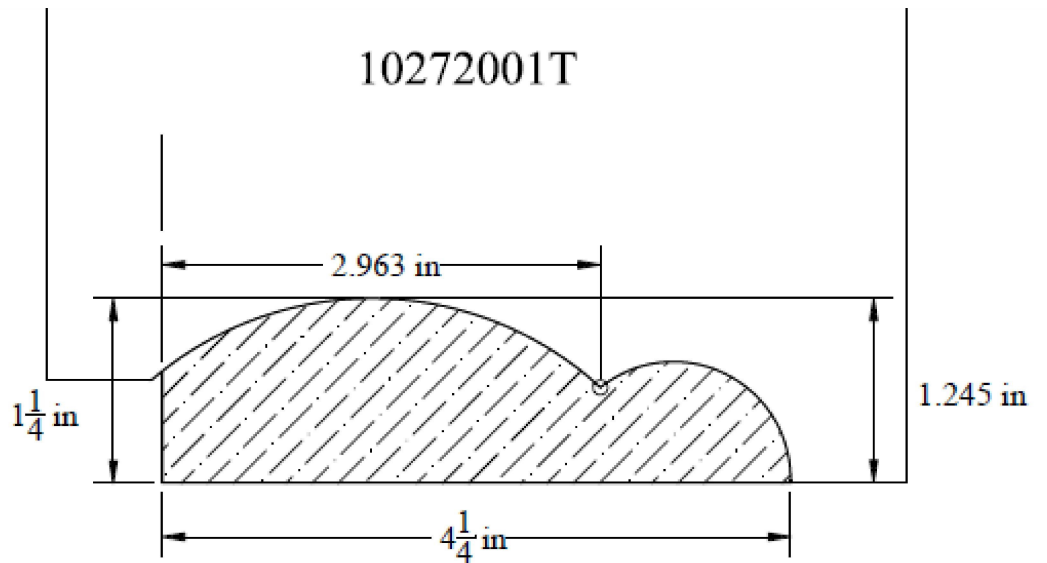
DM-01222001  
RB-42 Evan Cabinet



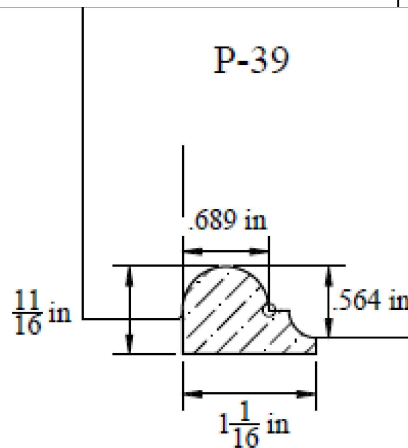
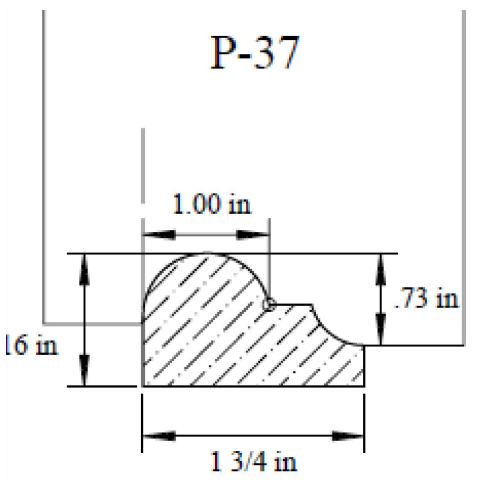
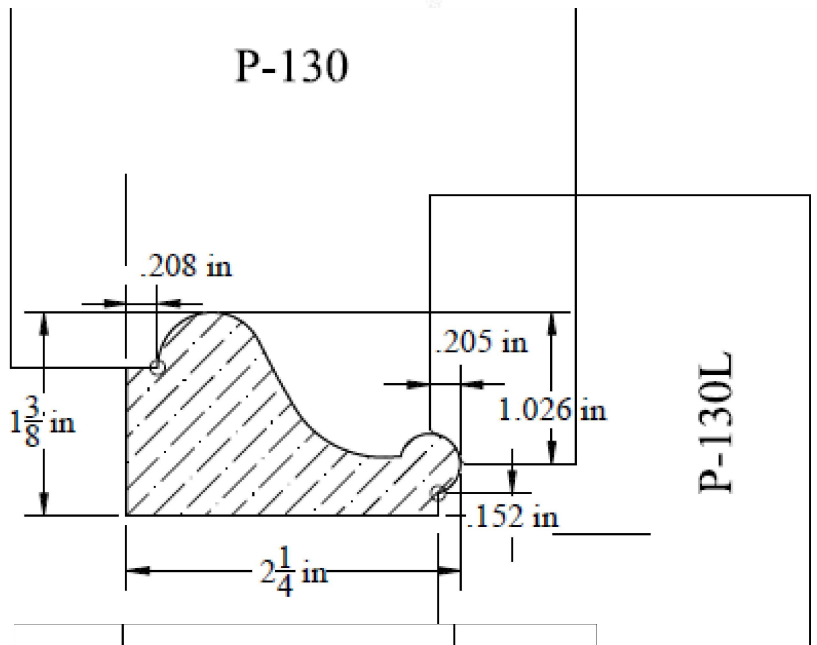
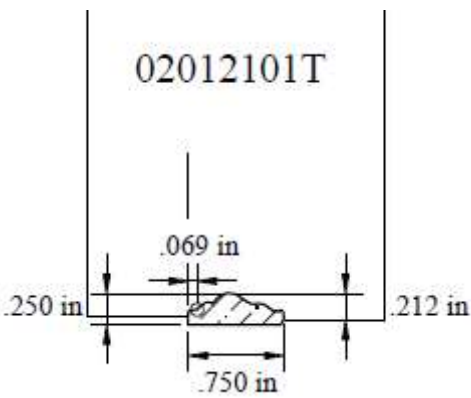
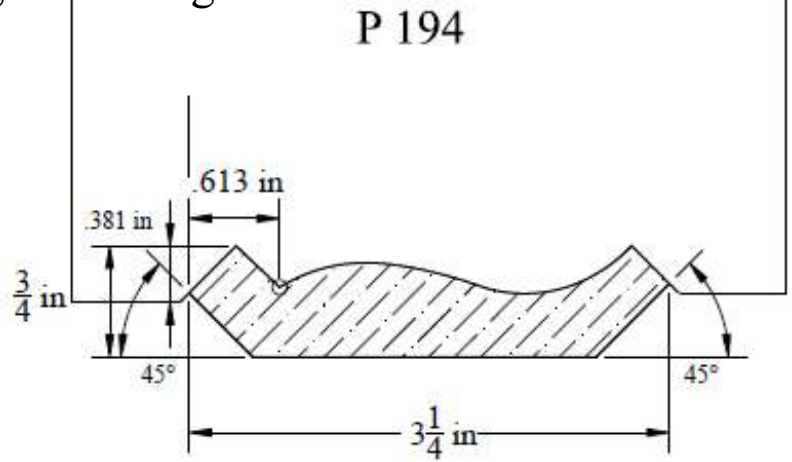
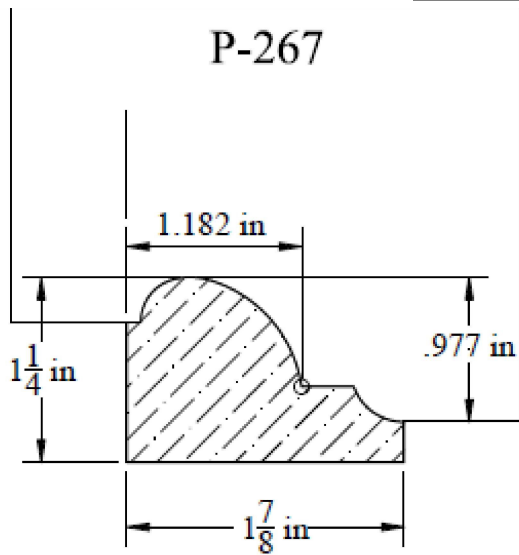
10272002T



10272001T

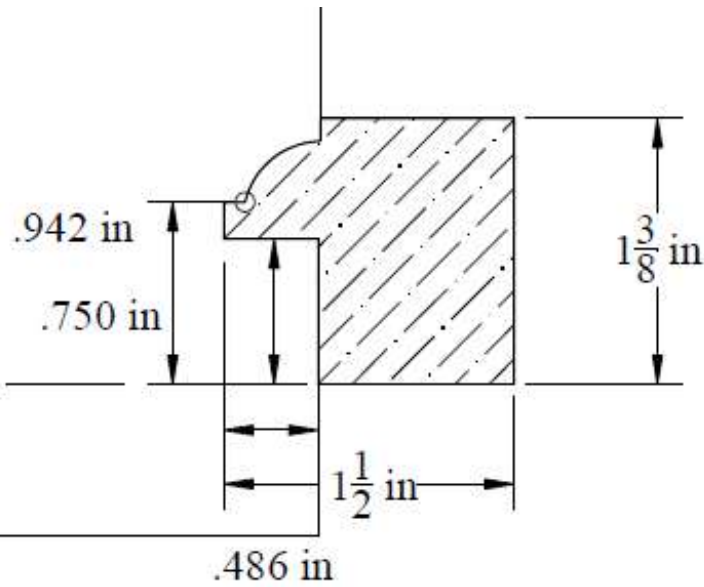


ge moulding

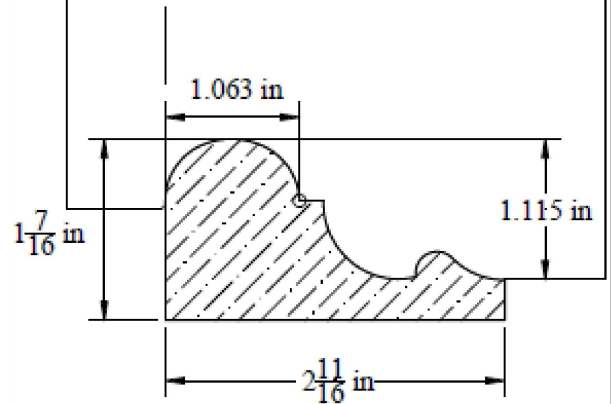




P-295

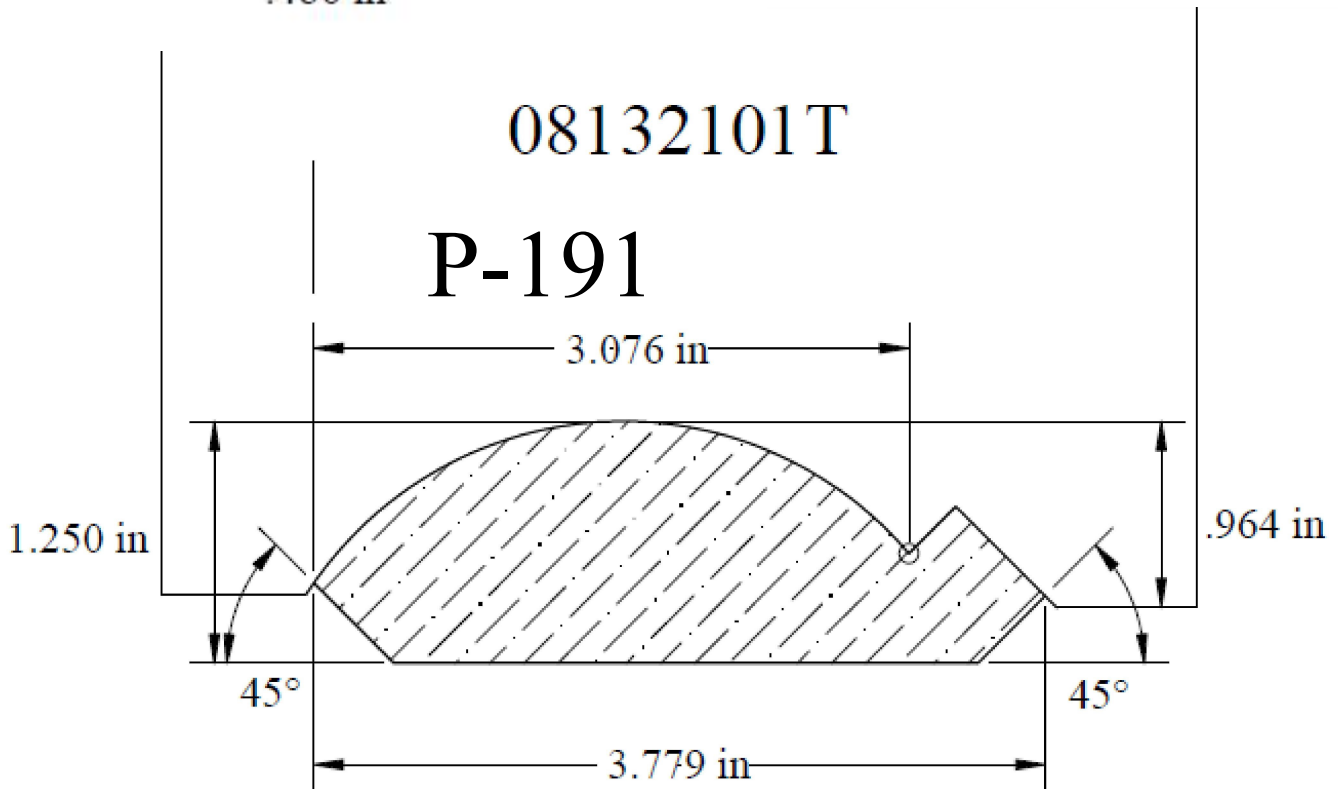


P-92

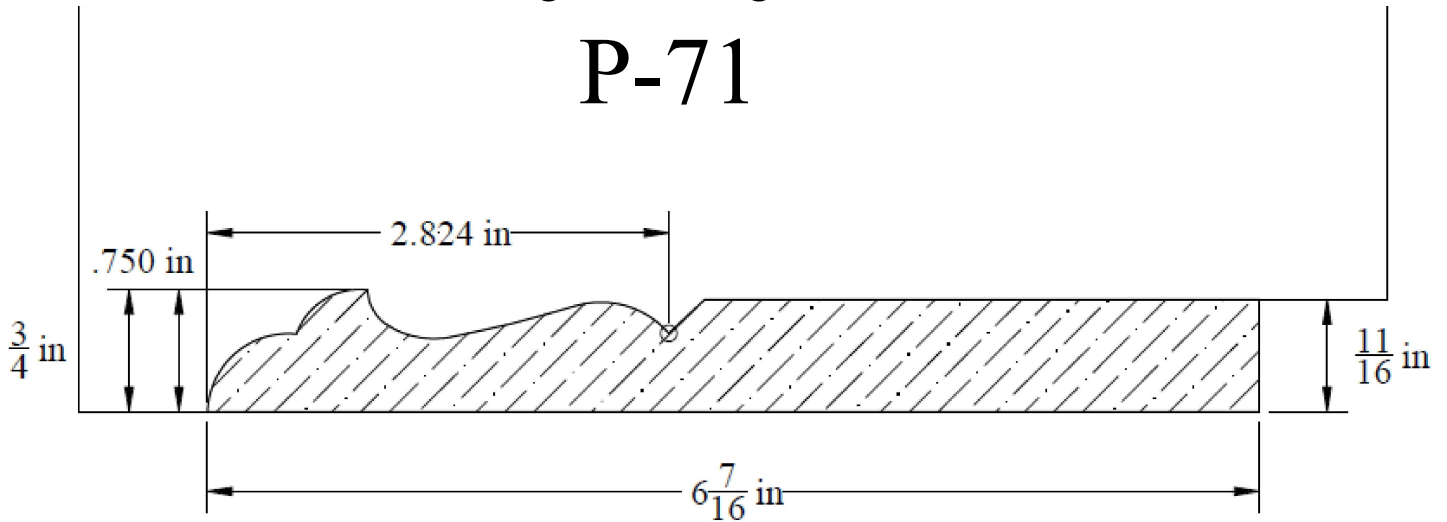


08132101T

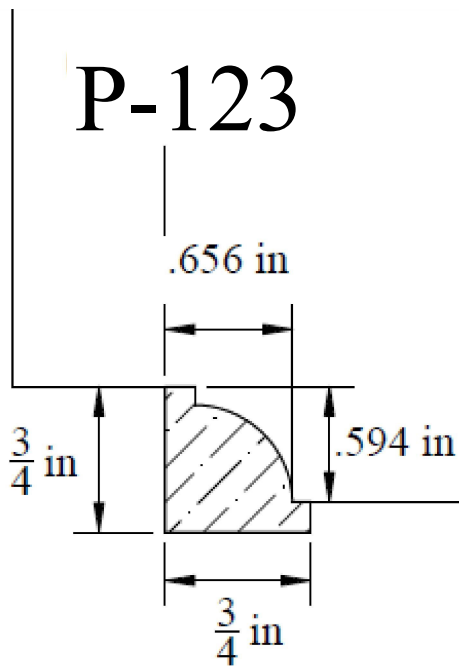
P-191



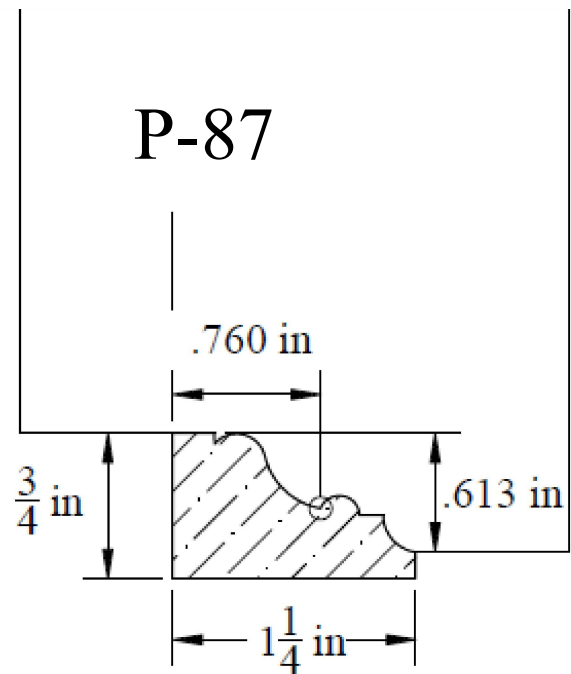
# P-71



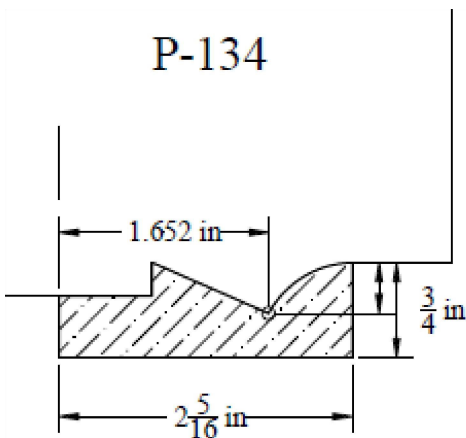
# P-123



# P-87

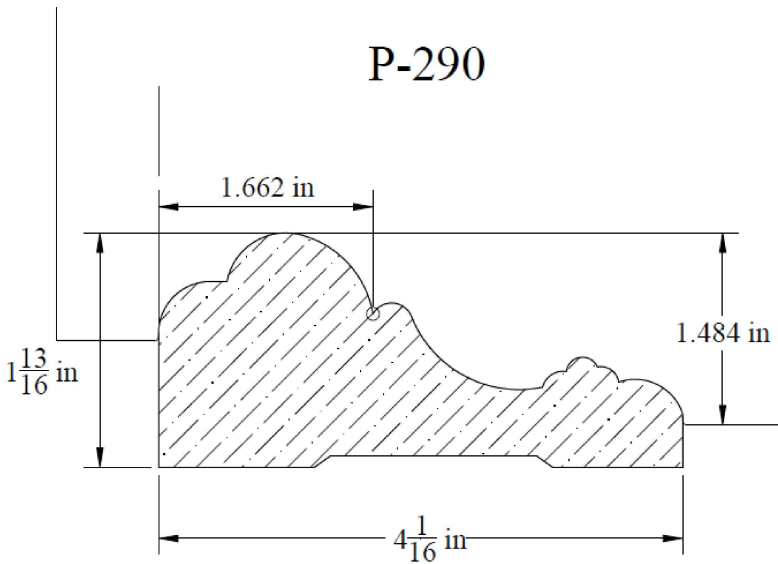
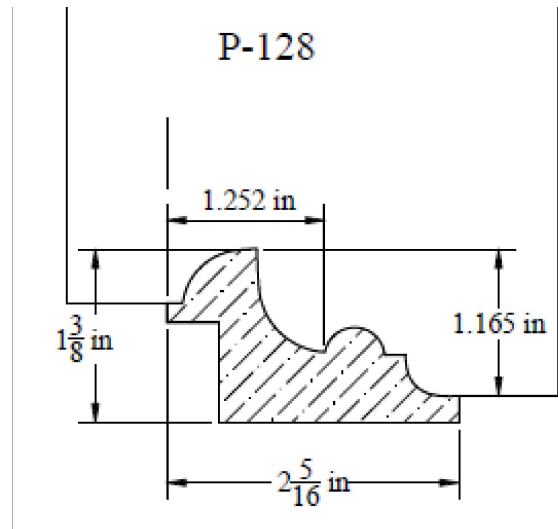
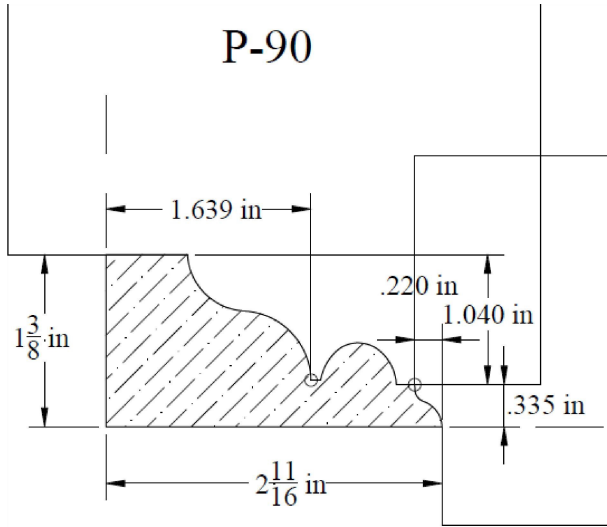


# P-134



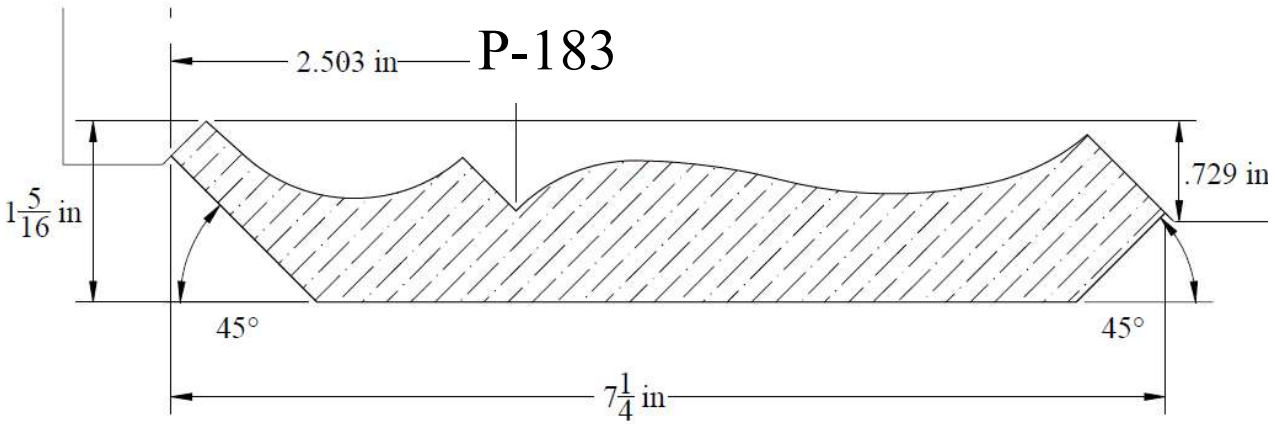
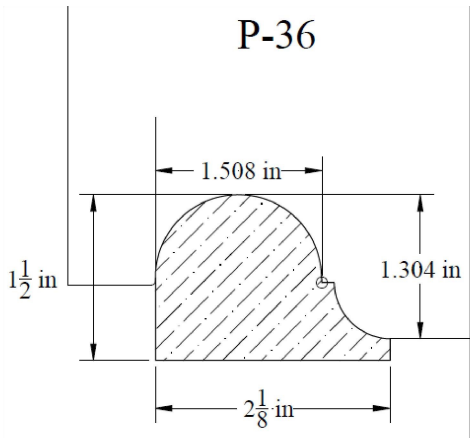
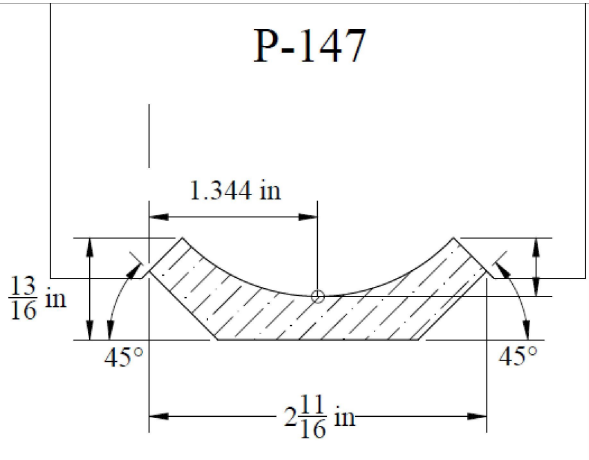
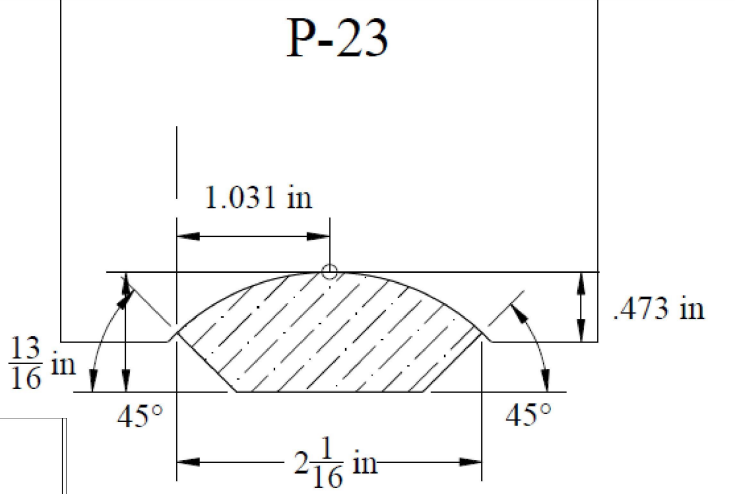
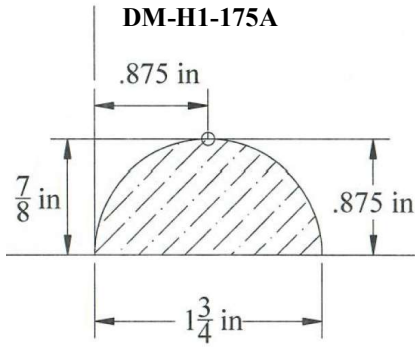
Moulding  
www.dannysmfg.com

ge Molding

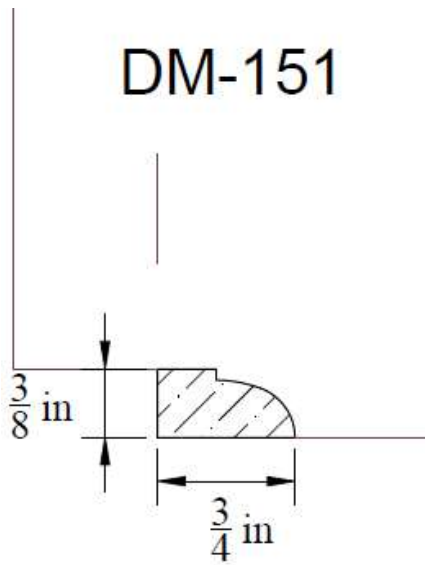
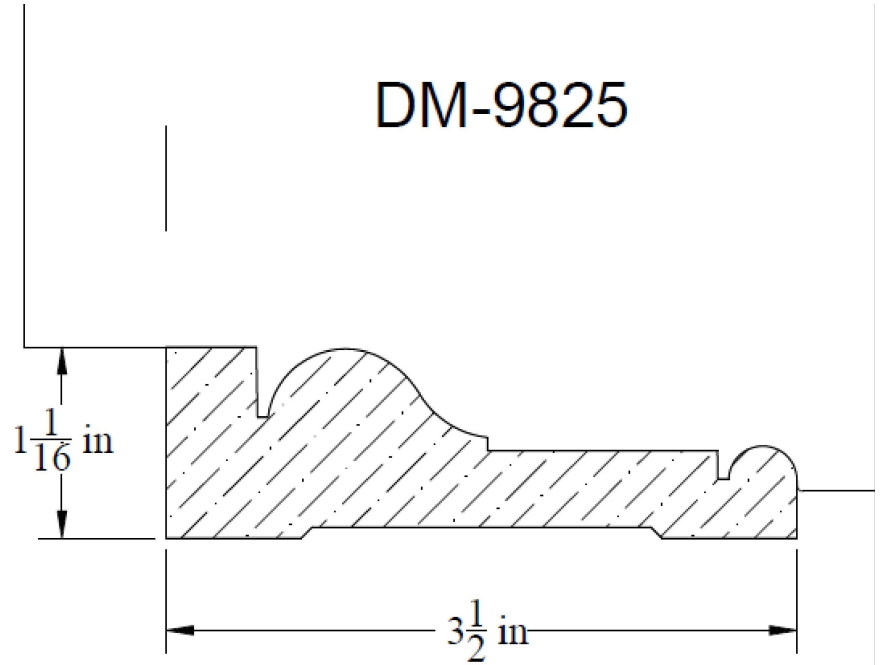
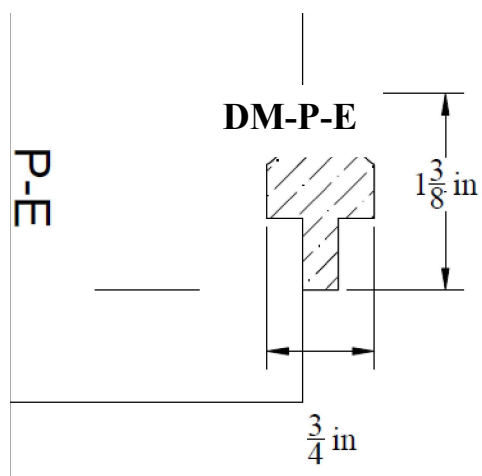
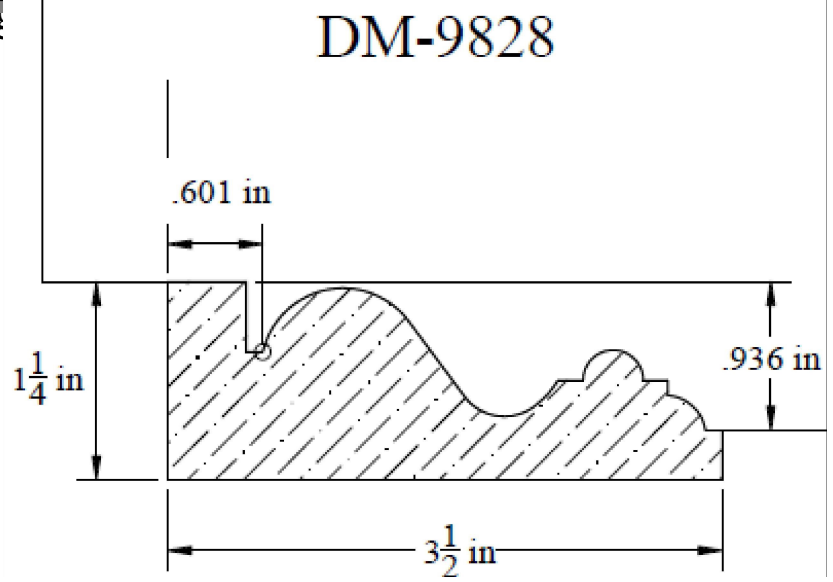
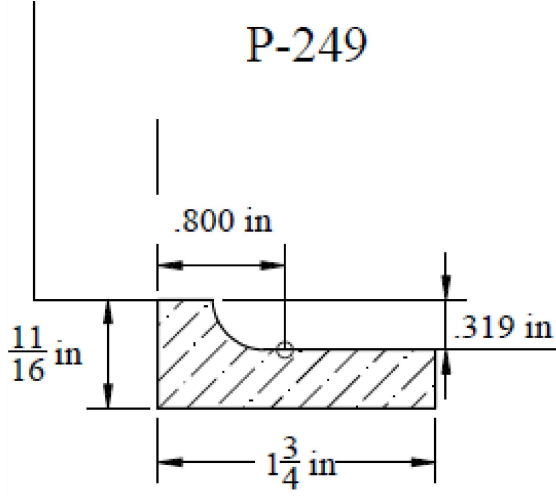


# ADD on Molding

ge Molding

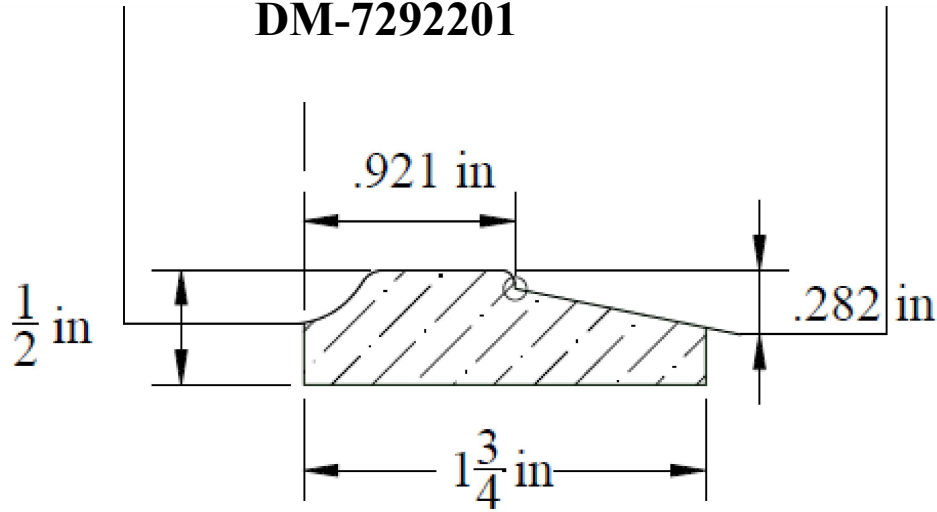


ADD on Molding

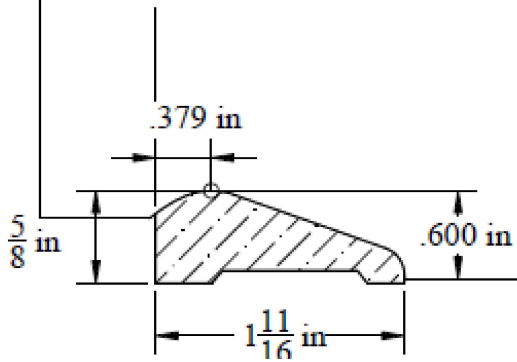


# ADD on Molding

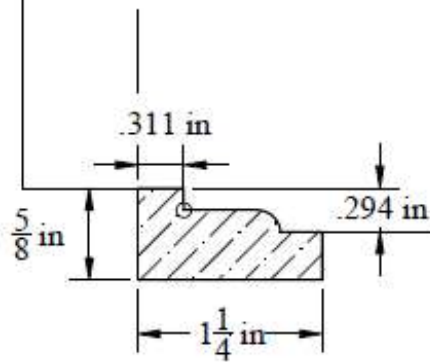
## DM-7292201



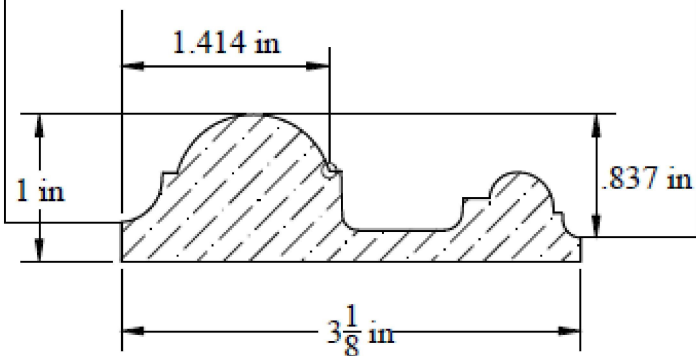
## P 170



## P 122



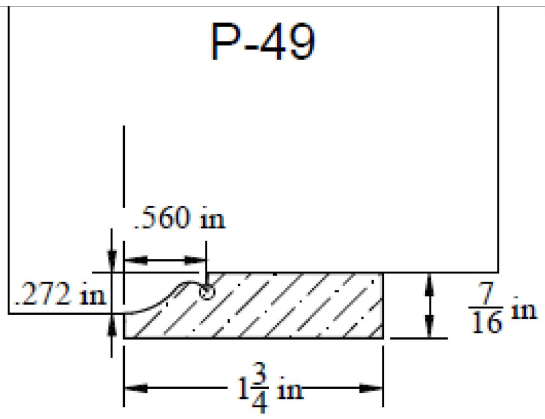
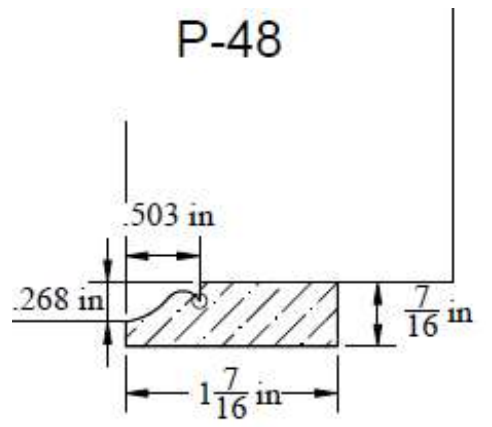
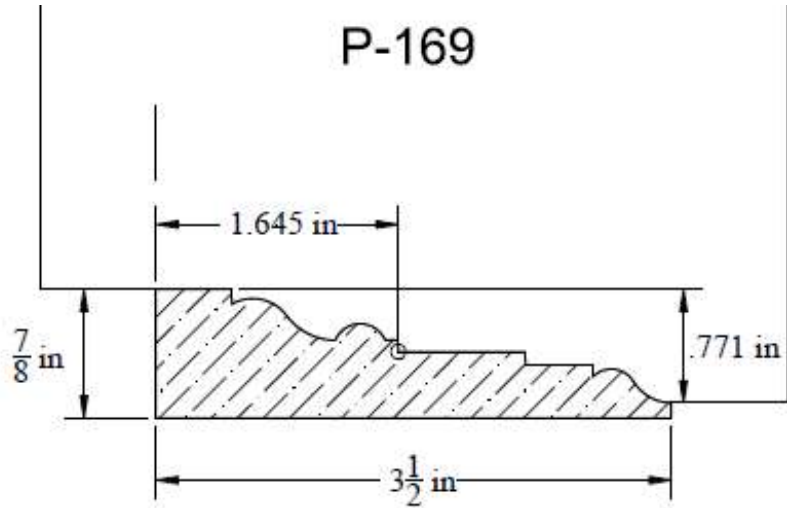
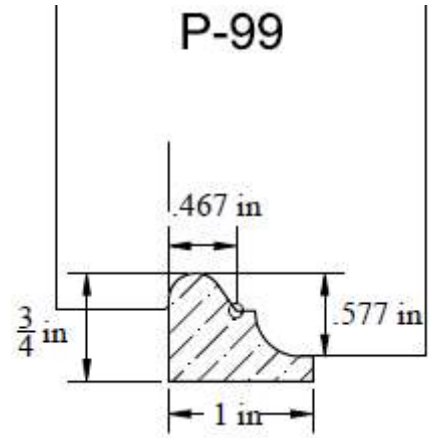
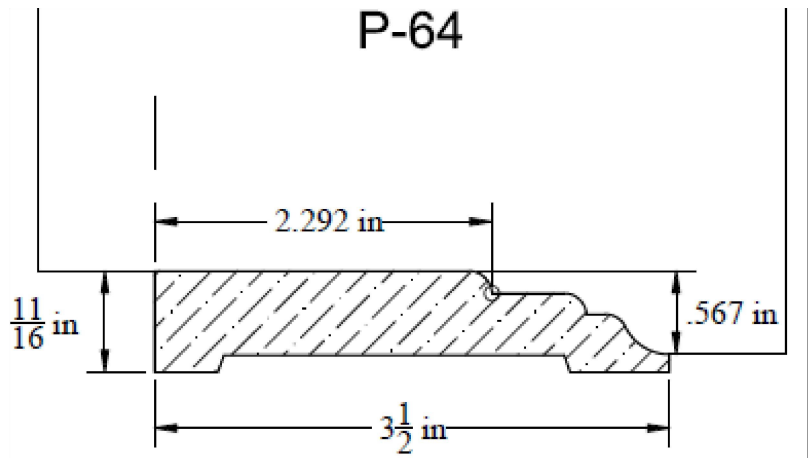
## P-179





# ADD on Molding

ge Molding



## A History of Danny's

In 1979 Danny F. Sanders had a car accident on the way to school and with it broke his back and was paralyzed. He stayed in the hospital for about four months and was still unable to do anything. His father and J.W. Edmondson had been doing a little wood working in the old barn that his father had. Danny tried to work for about an hour and a half, but didn't have the strength to work anymore. It put him in the bed for three days, however, he persistently kept working until he finally got his strength back. He started off making rocking horses, hope chest, and gun cases as a hobby, but as the demand grew, he had to hire people to help him out.

Then in 1983 after lunch one day, his mother came running out to the barn to tell him that the top of the barn was on fire. It was a complete loss. The town and his friends helped him out to get restarted. Later on Danny started building kitchen cabinets and cabinet doors. Soon after, he bought a Mid West counter top saw to cut counter tops. As the demand grew, he hired even more help to try to get the work out when the people wanted it, and then bought more tools to help the workers do a better job.

In the past year, business had grown so much that we have purchased a new Weinig Molder and Grinder to help out on the stiles and rails for the doors, to speed up the work, and to make special moulding crown, base, chair rails, flooring, etc. We also bought a Diehl straight line rip saw to help speed up ripping the wood, and a whirlwind pop up saw with a tiger stop. We traded the old 24" planer for a new 24" SMI planer that is faster and does a much better job. The old ritter clamping machine was traded in on a Lancaster clamping machine that will pull the joints up tighter. A radio frequency gluer that will glue a panel 36' x 60' within a minute. Most recently we have just purchased a new Unique shape and sanding machine that has two shape and sanding stations with which to give us a better center profile cut and a better sanding job to help Better Serve You!

Thank you for all your  
Support and Business!